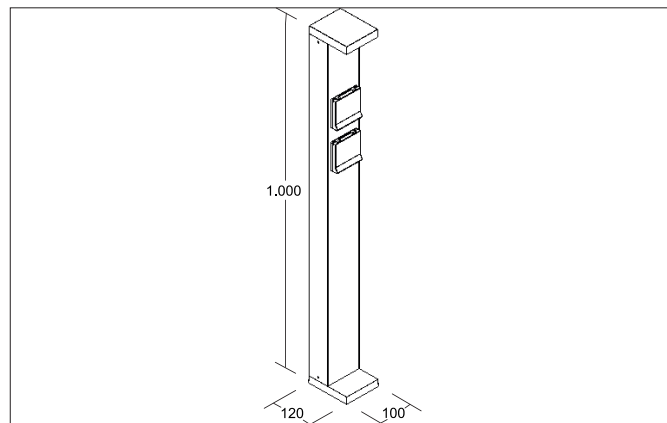


## ALOR LED bollard light, IP65, height 1,000 mm

Article no. 60056103

Light.  
For Generations.



### Tender

LED bollard light, IP65, height 1,000 mm, Other., Luminaire width 95.0 mm, Hight 1000.0 mm Weight 3.5 kg, with rotattionssymmetrical, deep, wide distributed light intensity. optimal light distribution due to a glass transparent cover.Luminous flux 516 lm, Power 1 x 6 W, Light colour warm white, Correlated color temprature (CCT) 3.000 K, Colour rendering index CRI > 80, Housing material: Aluminium / Glass, Colour: Graphite, Permissible ambient temperature (ta): -20 °C - +25 °C, Protection class (EN 61140): I, Degree of protection (DIN EN 60529): IP44, .With electronic driver, on/off switchable.

| Article data      |   |
|-------------------|---|
| Article no.       | 60056103  |
| GTIN              | 4255752501817   |
| Series name       | ALOR  |
| Short description | LED bollard light, IP65, height 1,000 mm  |
| Material          | Aluminium / Glass   |
| Colour            | Graphite  |
| Shape             | Other   |
| Width             | 95 mm   |
| Hight             | 1000 mm   |
| Scope of delivery | inkl. Konverter zum Anschluss an 230 V-Netzspannung, schaltbar und Anschlussbox mit Durchgangsverdrahtung |
| Weight            | 3.500 kg  |

**ALOR LED bollard light, IP65, height 1,000 mm**

Article no. 60056103

Light.  
For Generations.

| Lighting technology |                 |
|---------------------|-----------------|
| Colour temperature  | 2.700 / 3.000 K |
| Light colour        | White           |
| Light output        | Direct          |
| Luminous flux       | 516 lm          |
| System efficiency   | 86 lm/W         |
| Colour rendering    | CRI > 80        |
| Light sharing       | Symmetric       |

| Operating technology of the luminaire |  |
|---------------------------------------|--|
| System output                         | 6 W  |
| Voltage type                          | AC   |
| AC nominal voltage max                | 230 V  |
| Frequency max                         | 50 Hz  |
| Lamp                                  | LED  |
| Protection class                      | I  |
| Degree of protection                  | IP44   |
| Control                               | on/off   |
| Bulb change possible                  | The light source of this luminaire may only be replaced by the manufacturer or a service technician commissioned by him or a similarly qualified person. |

| Mounting technology   |                   |
|-----------------------|-------------------|
| Mounting method       | Surface mounting  |
| Place of installation | Floor-mounted     |
| stamp                 | UKCA              |
| Material cover        | Glass transparent |

| Packing data            |   |
|-------------------------|---|
| Gross weight            | 3.6 kg  |
| Length of packaging     | 220 mm  |
| Packaging width         | 220 mm  |
| Packaging height        | 1,075 mm  |
| Disposal at end of life | This product must not be disposed of with household waste. You are obliged, to dispose of such electrical waste separately.<br>By disposing of electrical waste and other old or defective electronics separately, you support recycling or other forms of re-use. In that way you help to take care and to avoid that harmful substances get into the environment. |