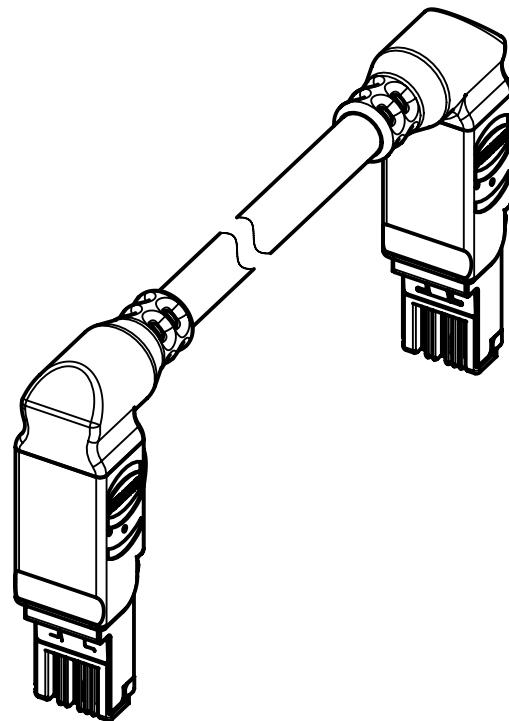
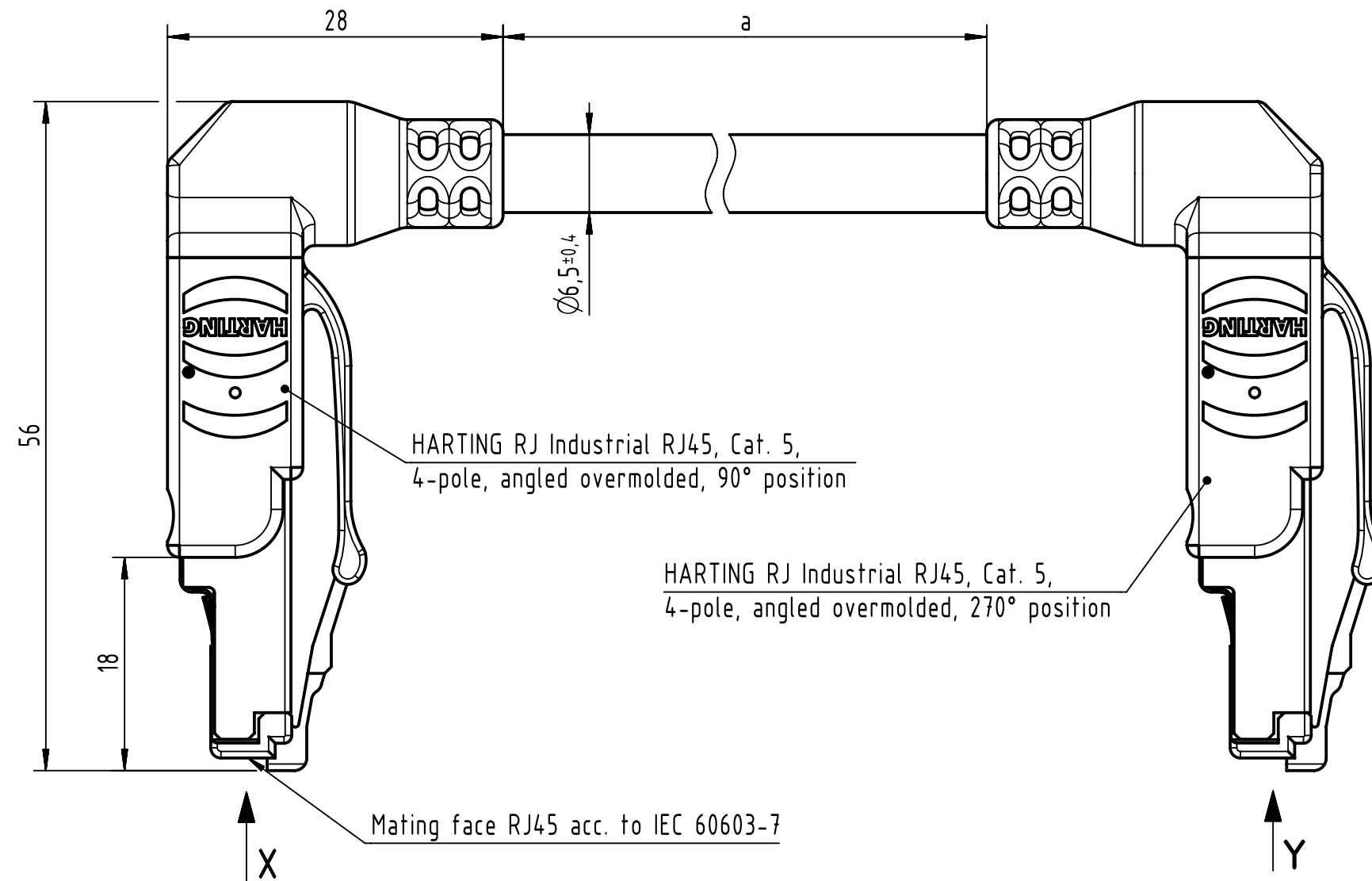


Connector Location A

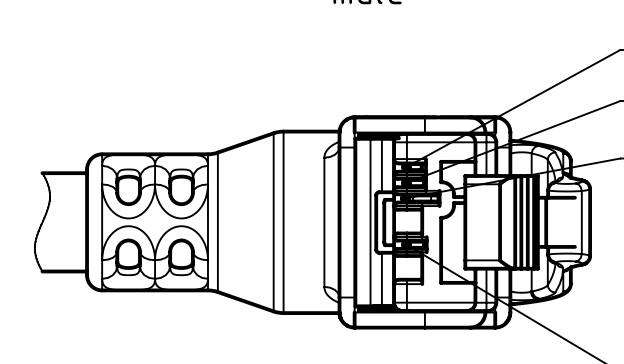
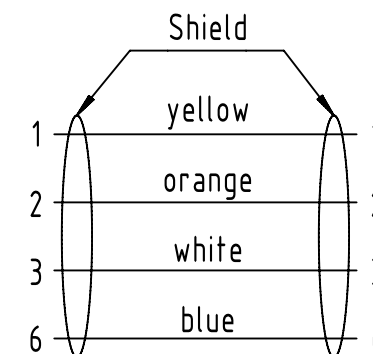
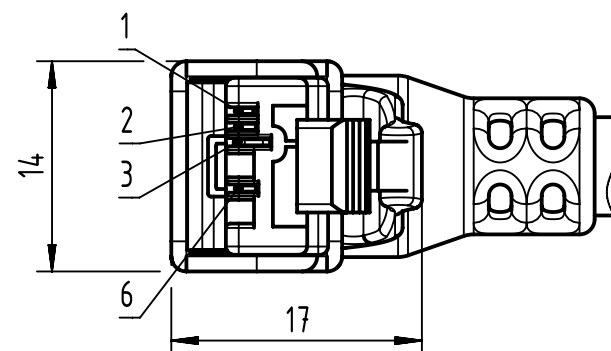
Connector Location B



X
male

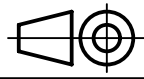

Loading Plan

Y
male



- Protection level: IP20
- Temperature range: -30°C ... +70°C

	All Dimensions in mm	Tech. Character.	Free size tol.	According to production drawing	
	All rights reserved Department HCS - RO	Created by BANIUD Banciu	Inspected by 402676 Gross	Standardisation MUNTEANV Muntean	Date 2023-06-09
HARTING Customised Solutions D-32339 Espelkamp		Title RJ Industrial Cable Assembly		State Final Release	
		Type TB	Number 094703040XX		Doc-Key / ECM-Nr. 100155463/UGD/014/E 500000245664
				Rev. E	Page 1/2

1	2	3	4	5	6	7	8									
A				88	09470304088	HAR PROFINET Typ B 4xAWG 22/7 PVC outdoor black	100 ±1									
				87	09470304087		90 ±0.9									
				86	09470304086		80 ±0.8									
				85	09470304085		70 ±0.7									
				84	09470304084		60 ±0.6									
				83	09470304083		50 ±0.5									
				82	09470304082		40 ±0.4									
				81	09470304081		30 ±0.3									
				80	09470304080		20 ±0.2									
				79	09470304079		15 ±0.15									
				78	09470304078		10 ±0.1									
				77	09470304077		9 ±0.09									
				76	09470304076		8 ±0.08									
				75	09470304075		7 ±0.07									
				74	09470304074		6 ±0.06									
				73	09470304073		5 ±0.05									
				72	09470304072		4 ±0.04									
				71	09470304071		3 ±0.03									
				B			HAR PROFINET Typ B 4xAWG 22/7 PVC green		60	09470304060	HAR PROFINET Typ C 4xAWG 22/7 PUR Trail. green	40 ±0.4				
									59	09470304059		30 ±0.3				
58	09470304058	20 ±0.2														
57	09470304057	15 ±0.15														
56	09470304056	10 ±0.1														
55	09470304055	9 ±0.09														
54	09470304054	8 ±0.08														
53	09470304053	7 ±0.07														
52	09470304052	6 ±0.06														
51	09470304051	5 ±0.05														
50	09470304050	4 ±0.04														
49	09470304049	3 ±0.03														
48	09470304048	2 ±0.02														
47	09470304047	1.5 ±0.015														
46	09470304046	1 ±0.01														
45	09470304045	0.5 ±0.01														
C						44			09470304044	HAR PROFINET Typ A 4xAWG 22/1 PVC green		100 ±1				
						43			09470304043			90 ±0.9				
						42			09470304042			80 ±0.8				
						41			09470304041			70 ±0.7				
				40	09470304040	60 ±0.6										
				39	09470304039	50 ±0.5										
				38	09470304038	40 ±0.4										
				37	09470304037	30 ±0.3										
				36	09470304036	20 ±0.2										
				35	09470304035	15 ±0.15										
				34	09470304034	10 ±0.1										
				33	09470304033	9 ±0.09										
				32	09470304032	8 ±0.08										
				31	09470304031	7 ±0.07										
				30	09470304030	6 ±0.06										
				29	09470304029	5 ±0.05										
				D				28	09470304028		HAR PROFINET Typ B 4xAWG 22/7 PVC outdoor black	4 ±0.04				
								27	09470304027			3 ±0.03				
								26	09470304026			2 ±0.02				
								25	09470304025			1.5 ±0.015				
24	09470304024	1 ±0.01														
23	09470304023	0.5 ±0.01														
22	09470304022	100 ±1														
21	09470304021	90 ±0.9														
20	09470304020	80 ±0.8														
19	09470304019	70 ±0.7														
18	09470304018	60 ±0.6														
17	09470304017	50 ±0.5														
16	09470304016	40 ±0.4														
15	09470304015	30 ±0.3														
14	09470304014	20 ±0.2														
13	09470304013	15 ±0.15														
12	09470304012	10 ±0.1														
E								11	09470304011	HAR PROFINET Typ C 4xAWG 22/7 PUR Trail. green		9 ±0.09				
								10	09470304010			8 ±0.08				
								9	09470304009			7 ±0.07				
				8	09470304008	6 ±0.06										
				7	09470304007	5 ±0.05										
				6	09470304006	4 ±0.04										
				5	09470304005	3 ±0.03										
				4	09470304004	2 ±0.02										
				3	09470304003	1.5 ±0.015										
				2	09470304002	1 ±0.01										
				1	09470304001	0.5 ±0.01										
				F				Cont. no.	Part no.		Type of cable	Dim. a[m]				
								 All Dimensions in mm				Tech. Character.	Free size tol.	According to production drawing		
								 All rights reserved Department HCS - RO			Created by BANCIUD Banciu	Inspected by 402676 Gross	Standardisation MUNTEANV Muntean	Date 2023-06-09	State Final Release	Doc-Key / ECM-Nr. 100155463/UGD/014/E 50000245664
								HARTING Customised Solutions D-32339 Espelkamp			Title RJ Industrial Cable Assembly	Type TB	Number 094703040XX	Rev. E	Page 2/2	