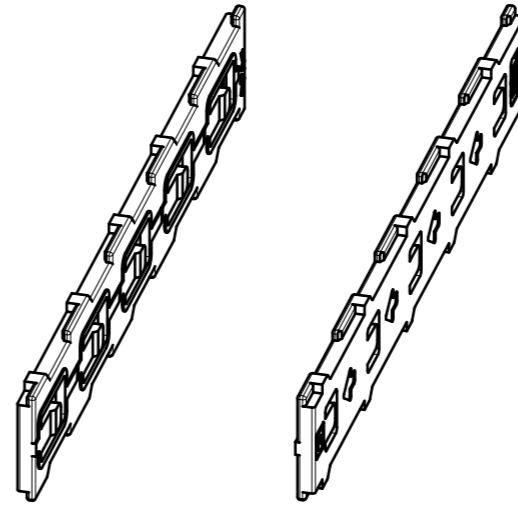
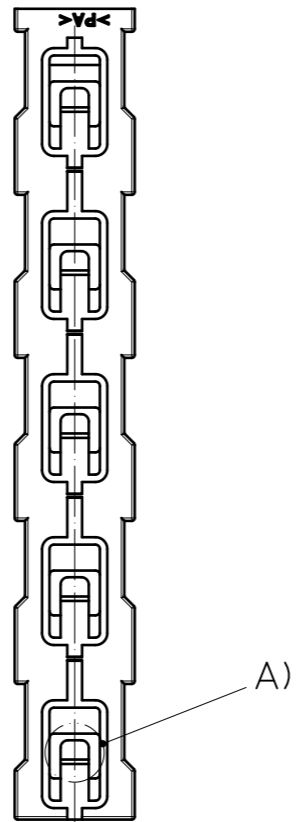
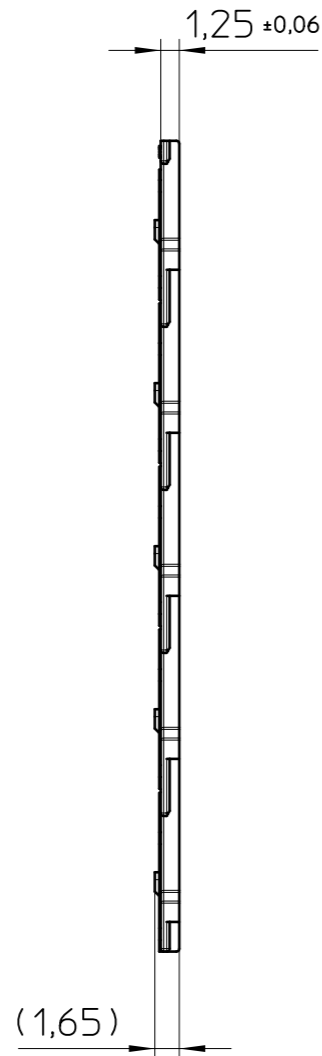
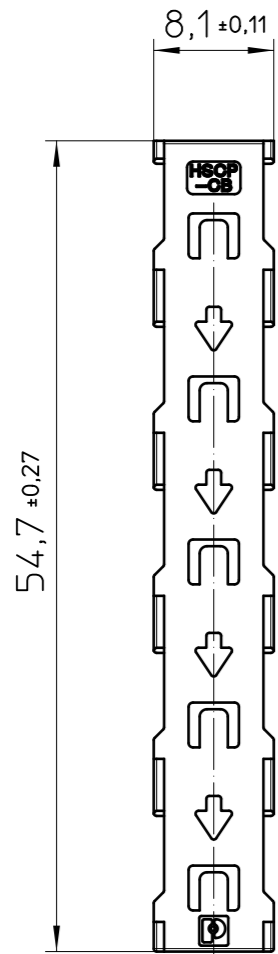
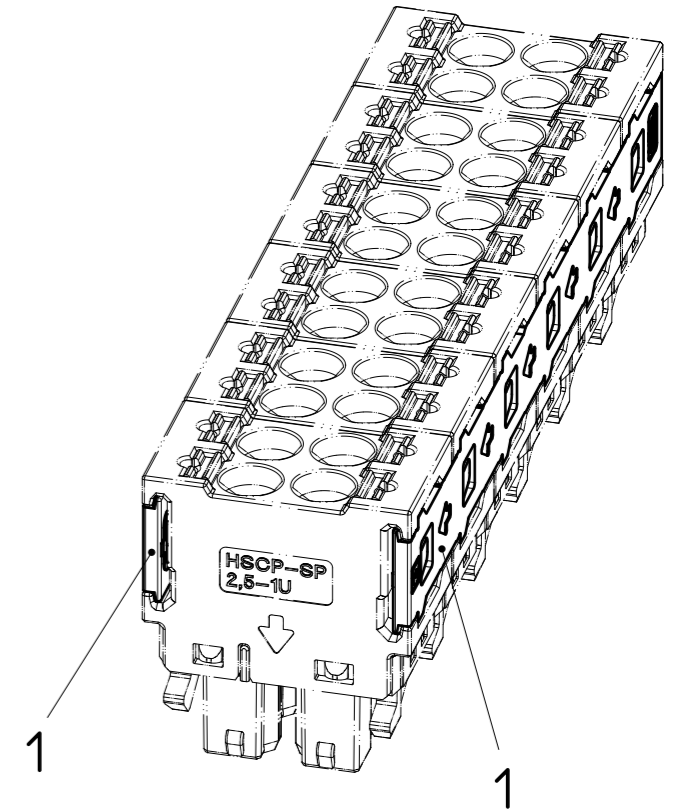


Transfer or duplication of this document as well as the utilisation or communication of its content are not permitted unless express consent is granted. Violations give rise to claims for damages. All rights reserved in case of patent, utility model or design patent registrations.

Weitergabe sowie Vervielfältigung dieses Dokuments, Verwertung und Mitteilung seines Inhalts sind verboten, soweit nicht ausdrücklich gestattet. Zuwiderhandlungen verpflichten zu Schadenersatz. Alle Rechte für den Fall der Patent-, Gebrauchsmuster- oder Designeintragung vorbehalten.



Assembly example



General Information:

- Simplified representation
- Document excluded from change process
- Units are in millimeters [mm] and degrees [°]
- Tolerances apply in a normal climate according to DIN EN ISO 291-23/50-2, PA plastic parts with about 2% (% by weight) moisture content.
- Web: www.phoenixcontact.com webcode: #0308

Additional Information:

A) Latching area for HSCP-SP 1,5 and 2,5

KIT (not mounted)				
Pos.	QTY	Description	Material	
1	1	BLOCKBELT	PA	
		document-No. / RI	date	scale
		01154223 / 01	29.04.2025	2:1
		ident.-No.	document-type	
		1056892	TECDOC 2D_Productdrawing	
page 1		description		
of 1		HSCP-CB 5U-7035		