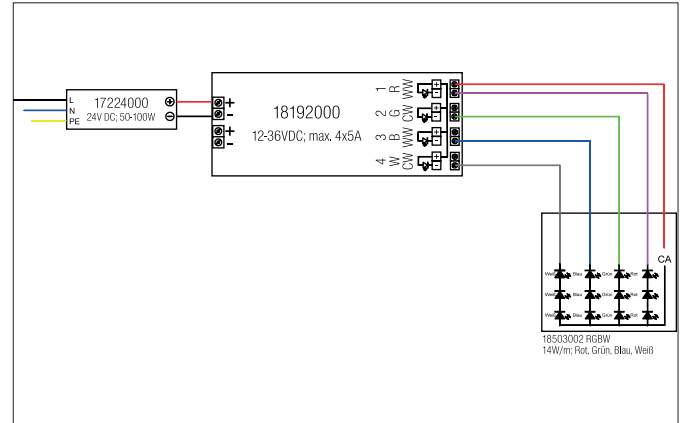


RGBW wireless wall panel for 18192000
 Article no. 18194080

Light.
 For Generations.



Tender
 RGBW wireless wall panel for 18192000, black. Recessed mounting, Wall-mounted. RGBW remote wall panel for controlling the RGBW LED modules for color and white light. Nominal voltage: 110-230 V AC 50 Hz. Current consumption: 15 mA. Radio frequency: 869.5 MHz, transmission power (Ps) <math>0 \text{ dBm}</math>, Range (visual contact): up to 20 m, Ambient temperature (ta): 0 °C to +40 °C, Connection using screw terminals. Mounting in device box (flush mounting). Installation depth in device box: 20 mm. Outer dimensions: L 86 x W 86 x D 12 mm. Material: Glass / plastic. Controller per wall panel: maximum 4 (for optimum radio connection). Function scope:- On / Off- RGB color change using a touch wheel. Dimmer keys for red / green / blue / white. Dimming of the set light color. Save key S- Color gradient: Start / Stop - Color gradient: Speed. Compatible with the radio master controller 18192000. Please refer to the product description for other functions. Mounting method: Recessed mounting, Place of installation: Wall-mounted, Degree of protection: according to DIN EN 60529 IP20, Protection class: (EN 61140) II, Voltage: 230V AC 50Hz.

Article data	
Article no.	18194080
GTIN	4250047795292
Short description	RGBW wireless wall panel for 18192000
Colour	Black
Length	86 mm
Width	86 mm
Hight	12 mm
Weight	0.131 kg

RGBW wireless wall panel for 18192000

Article no. 18194080

Light.
For Generations.

Packing data	
Gross weight	0.198 kg
Length of packaging	115 mm
Packaging width	105 mm
Packaging height	55 mm
Disposal at end of life	<p>This product must not be disposed of with household waste. You are obliged, to dispose of such electrical waste separately.</p> <p>By disposing of electrical waste and other old or defective electronics separately, you support recycling or other forms of re-use. In that way you help to take care and to avoid that harmful substances get into the environment.</p>