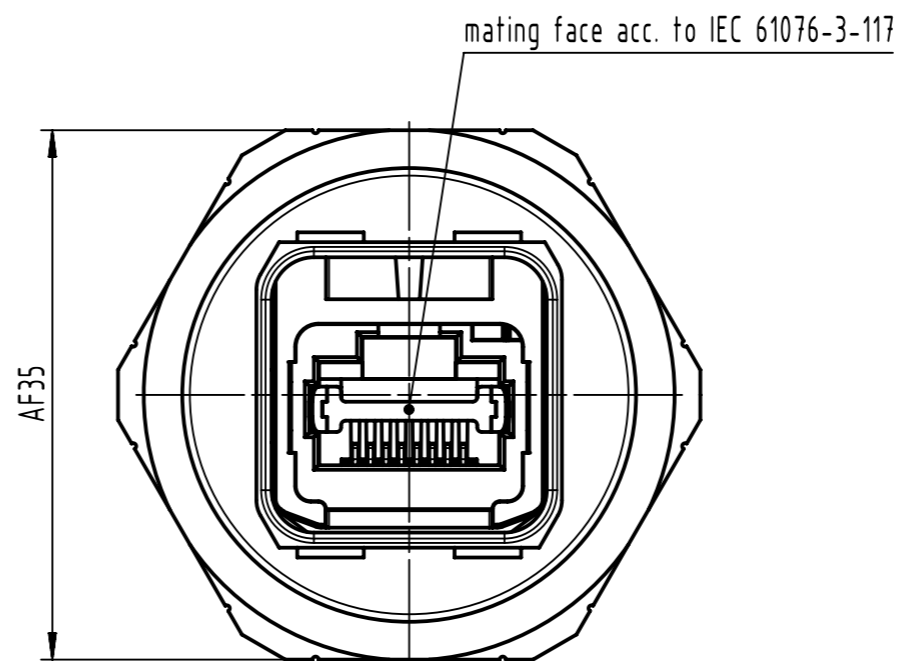


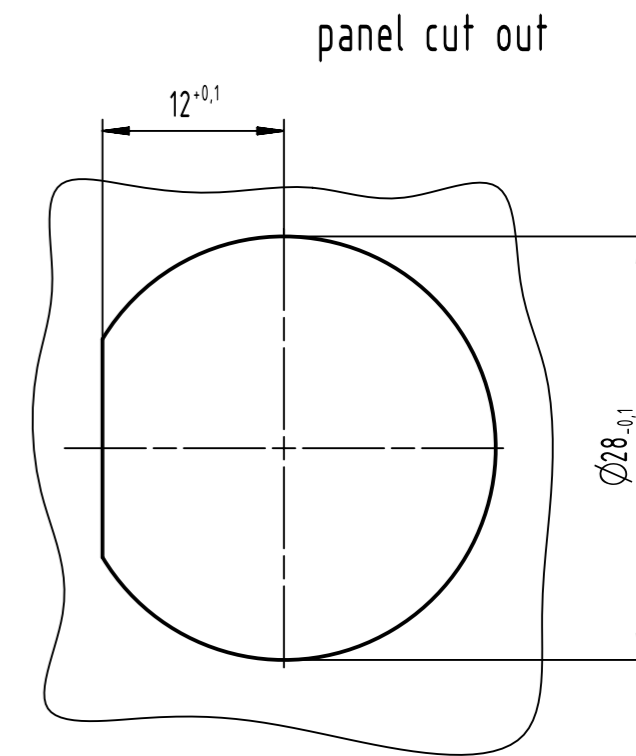
48

connection for ground contact



AF35

mating face acc. to IEC 61076-3-117

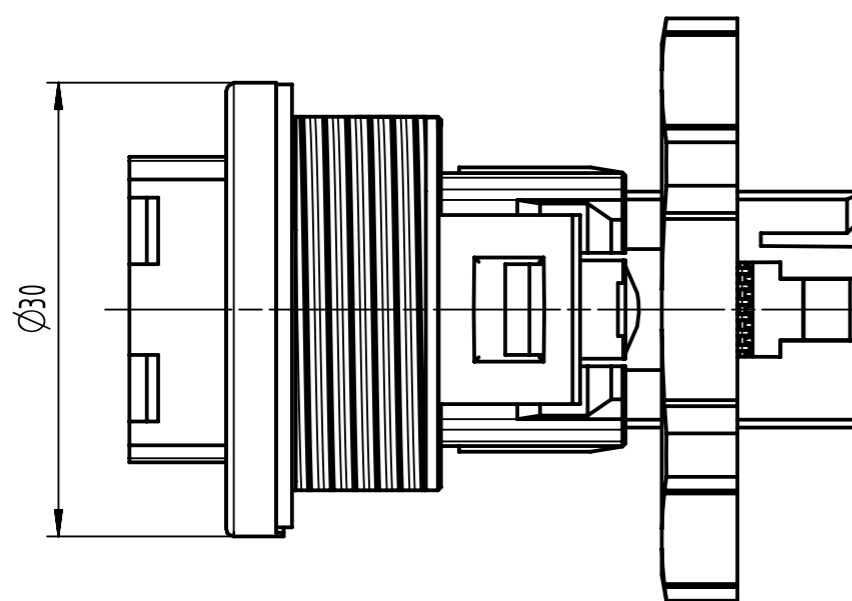


panel cut out

12^{+0,1}

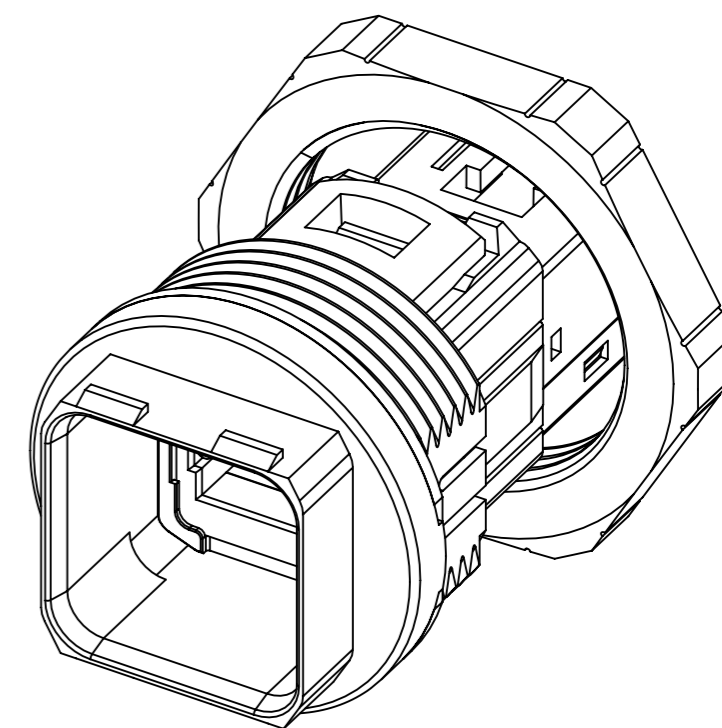
Ø28^{-0,1}

panel thickness: 1mm - 6mm
nut torque: 2.5Nm - 3Nm



Ø30

connection for ground contact



further information see product data sheet

	All Dimensions in mm Original Size DIN A3	Scale 2:1	Free size tol.	Ref. Sub.
	All rights reserved Department EL PD	Created by ZWAHR	Inspected by ELLERMANN	Standardisation Date 2023-07-13 State Final Release
HARTING D-32339 Espelkamp	Title Han PP PFT met. circular Bulkhead Cat.6A			Doc-Key / ECM-Nr. 100221210/UGD/002/F 500000249582
	Type TB	Number 09352250312	Rev. F	Page 1/1