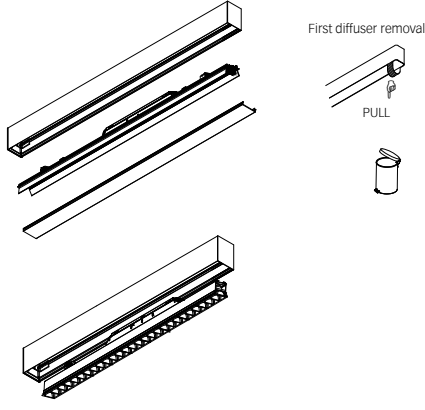


MATRIC AX | SYSTEM 40MM SURFACE


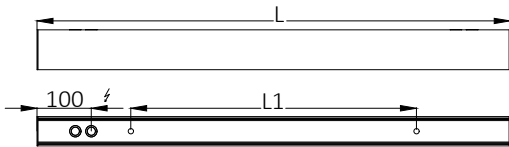
1. MONTAGE UND INSTALLATION | MOUNTING AND INSTALLATION:



First diffuser removal

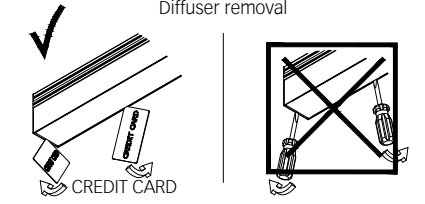
PULL

1. Bei allen Montagearbeiten Handschuhe tragen.
 Use gloves when handling the fixture.

Opal / Microprismatic / Ambient		Lens Louvre	
L [mm]	L1 [mm]	L [mm]	L [mm]
600	500	665	565
890	490	930	530
1182	782	1194	794
1475	1075	1458	1058
1765	1365	1723	1323
2055	1655	1987	1587

2. Montageöffnungen.
 Installation openings.



Diffuser removal

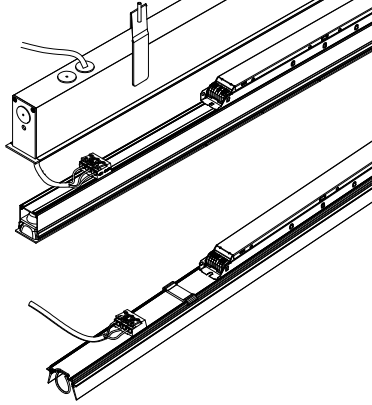
CREDIT CARD

LED insets locking system

The foil inserted into the Microprismatic screen has a diffusion function - do not remove it!

PULL

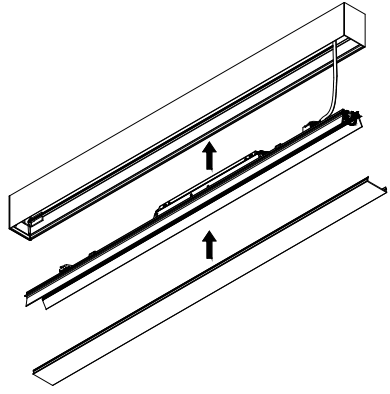
3.



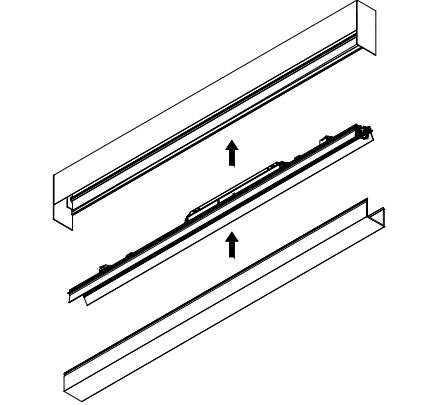
4.

- min/max stripped wire length: 7mm-10mm

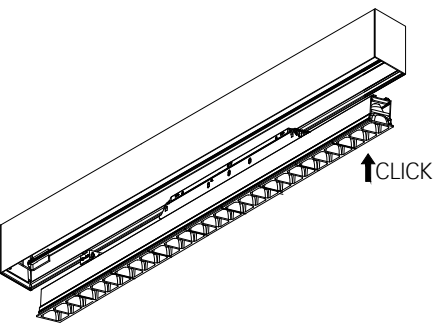
- max power supply cable: 1,5mm²



5.



6. Ambient diffuser installation.

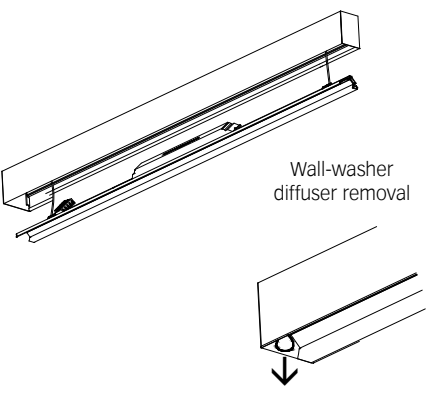


7. Lens louvre installation.

The light source contained in this luminaire shall only be replaced by the manufacturer or his service agent or a similar qualified person.

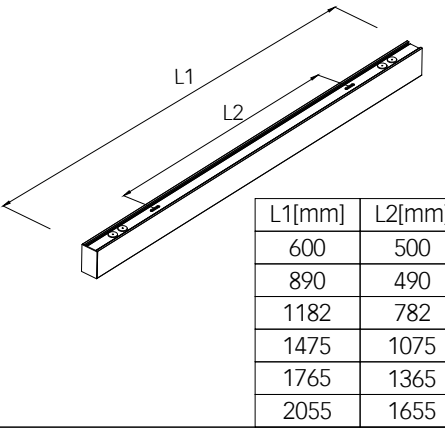
MATRIC AX | SYSTEM 40MM SURFACE WALLWASHER

1. MONTAGE UND INSTALLATION | MOUNTING AND INSTALLATION:



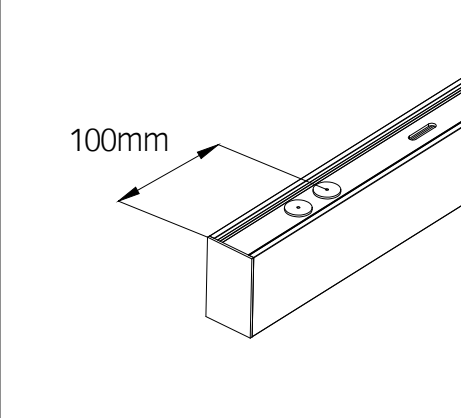
Wall-washer
diffuser removal

1. Bei allen Montagearbeiten Handschuhe tragen.
 Use gloves when handling the fixture.



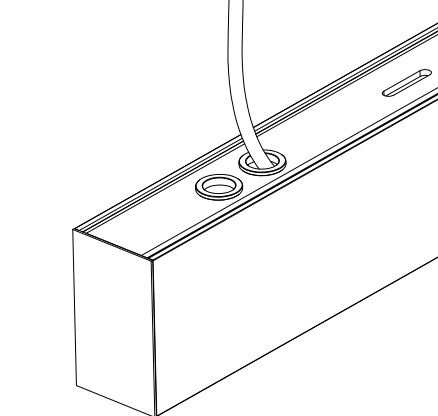
L1[mm]	L2[mm]
600	500
890	490
1182	782
1475	1075
1765	1365
2055	1655

2. Montageöffnungen.
 Installation openings.

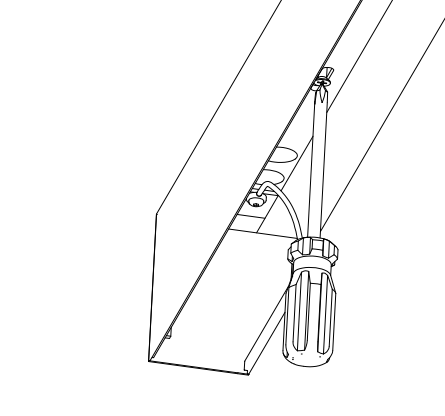


100mm

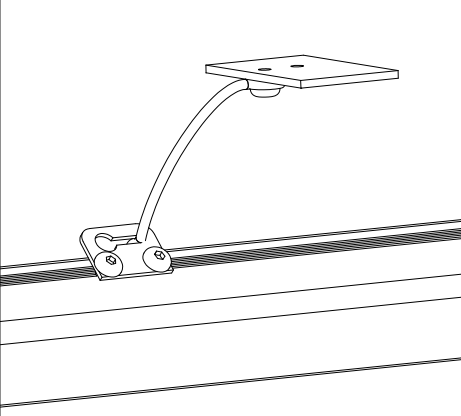
3. Leitungseinführung.
 Cable entry point.



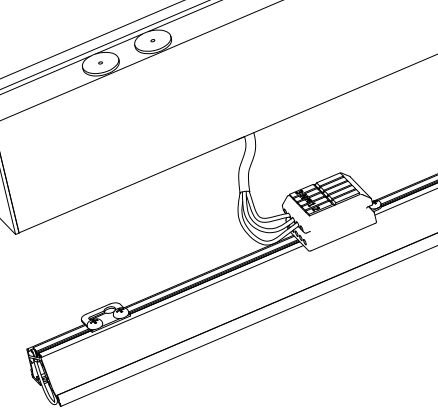
4.



5.

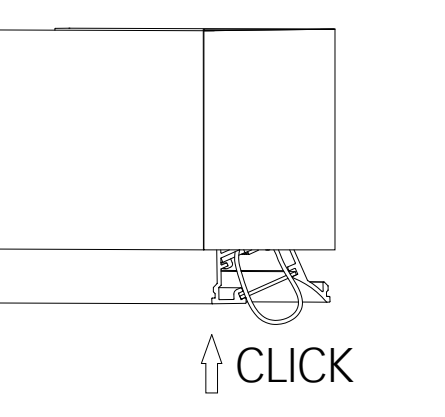


6.



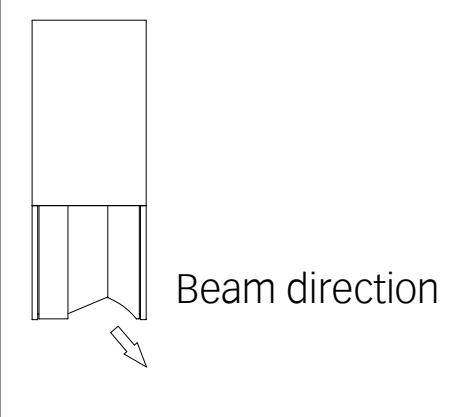
7.

- min/max stripped wire length: 7mm-10mm
- max power supply cable: 1,5mm²



↑ CLICK

8. All LED gear trays are numbered and the numbering starts from the cable entry side. In non-standard luminaires the numbering of LED gear trays is made in accordance with technical drawings.



Beam direction

9.