

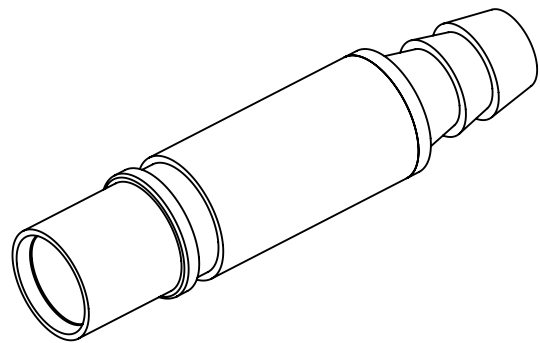
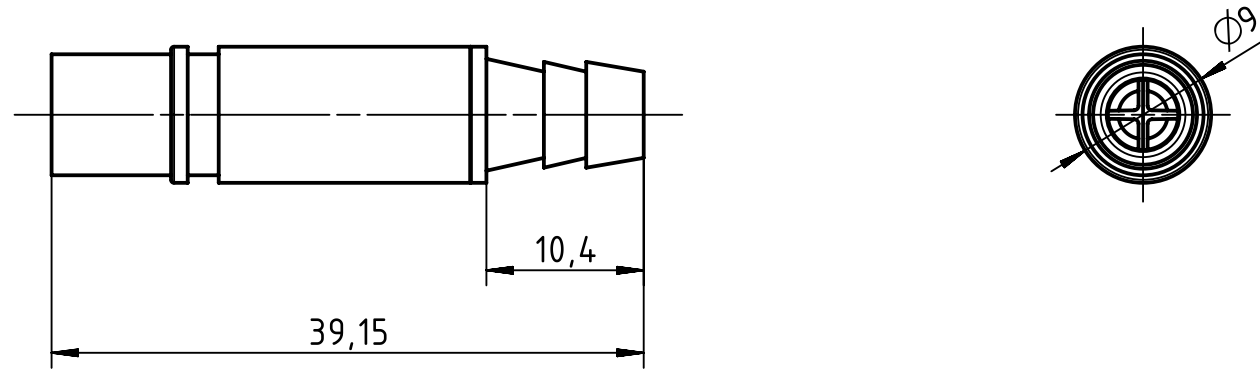
1 2 3 4 5 6


A

B

C

D



|   |   |   |                          |                          |                            |  |                        |
|---|---|---|--------------------------|--------------------------|----------------------------|--|------------------------|
|  | All rights reserved<br>Department EL PD | All Dimensions in mm<br>Original Size DIN A4        | Scale<br>2:1             | Free size tol.           |                            | Ref.   |                        |
|   |   | HARTING Electric GmbH & Co. KG<br>D-32339 Espelkamp | Created by<br>MOELLERLI  | Inspected by<br>BEISCHER | Standardisation<br>RUETERA | Date<br>2018-05-16                                       | State<br>Final Release |
| Title<br>Pneum. contact metal ID 6 female+valve                                     |   |   |                          |                          |                            | Doc-Key / ECM-Nr.<br>100657911/UGD/001/D<br>500000133860 |                        |
|   |   | Type<br>TB  | Number<br>09 14 000 6416 |                          |                            | Rev.<br>D  | Page<br>1/1            |