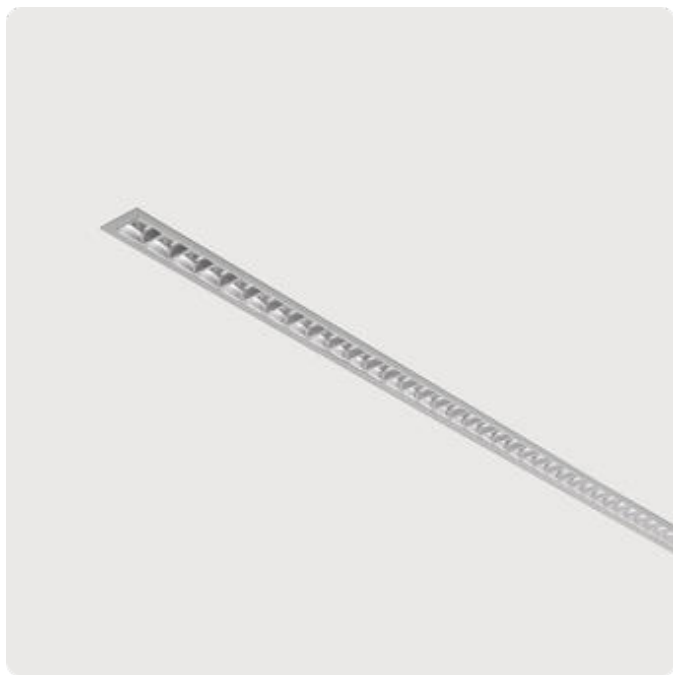


Matric-FX

Recessed mounted light line, mounting brackets incl - Direct light distribution

Article code: LFXLEL-840H-L940-A



Illustrations may only be similar and serve as an orientation.

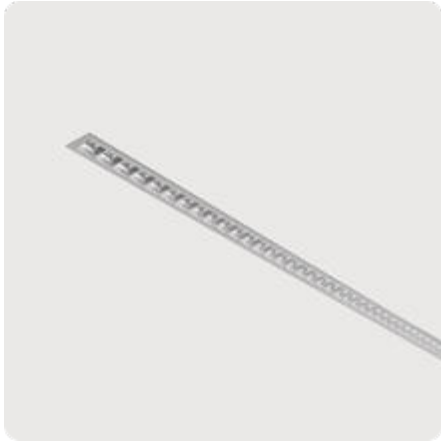
Matric-FX. LED. Recessed mounted light line with surrounding frame for installation in sawn wall and ceiling with cut-out openings. Mounting brackets included. Luminaire body made of high-quality aluminum profile. Surface finish Silver Anodised. Direct only light distribution. Colour temperature: 4000K (Cool White). Colour Rendering Index (CRI): >80. Lens Louvre: precision lenses with louvre for wide and symmetrical light distribution. High glare limitation, compatible for office applications. UGR<=19.

Reflector: Satin Silver. Dimmable DALI. LxWxH (rectangular). L=940mm. W=50mm. H=65mm. High-power current. 2870lm. 23W. 2kg. Binning initial <= MacAdam 3. IP20. Protection class I. CE, UKCA marking. IK02. 220-240V. 50-60 Hz. RG0 (EN62471). Luminous flux reduction up to 0,4%/1.000 operating hours. Nominal failure rate: 0,2%/1.000 operating hours. L80B10 (tq 25°C) = 50.000h. 5 years warranty. Manufacturer: Lightnet GmbH, ISO 9001:2015 and 50001:2018 certified.

Matric-FX

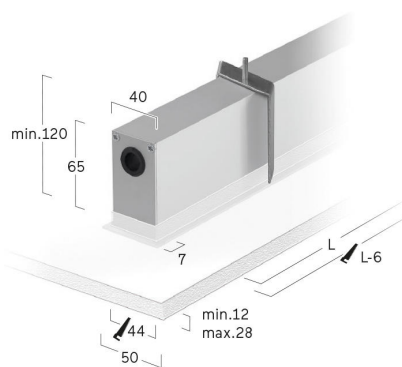
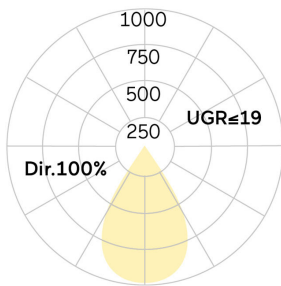
Recessed mounted light line, mounting brackets incl - Direct light distribution

Article code: LFXLEL-840H-L940-A



Customer / Project: _____

Note: _____



| | |
|------------------------------|---|
| Productname | Matric-FX |
| Lamp | LED |
| Installation Type | Recessed mounted light line, mounting brackets incl |
| Surface finish | Silver Anodised |
| Light characteristics | Direct light distribution |
| Colour temperature | 4000K |
| Colour Rendering Index (CRI) | CRI>80 |
| Optical system | Lens Louvre |
| Reflector Colour Inside | Reflector: Satin Silver |
| Control | Dimmable (DALI) |
| Length L/Diameter D (mm) | L=940mm |
| Width W (mm) | W=50mm |
| Height H (mm) | H=65mm |
| Current/Power | High-Power |
| Luminous Flux | 2870lm |
| Power consumption | 23W |
| Degree of protection | IP20 |
| LED lifetime | L80B10 (tq 25°C) = 50.000h |
| UGR | UGR<=19 |
| Photometric code | 8 40 / 3 3 9 |
| Photobiological class | RG0 (EN62471) |
| Indoor/Outdoor | Indoor: ta [ambient] max. 25°C |
| Weight (kg) | 2kg |

