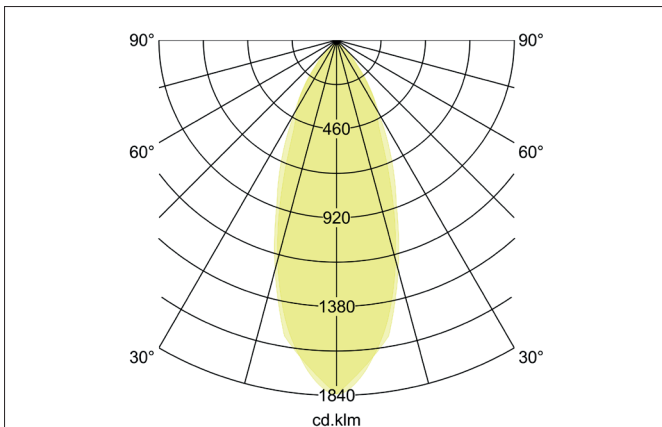
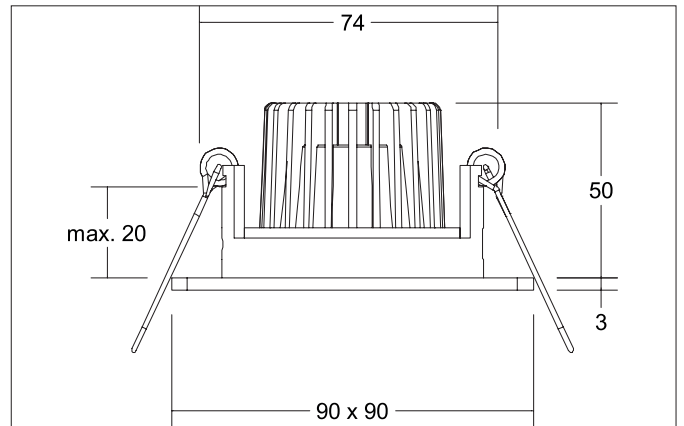
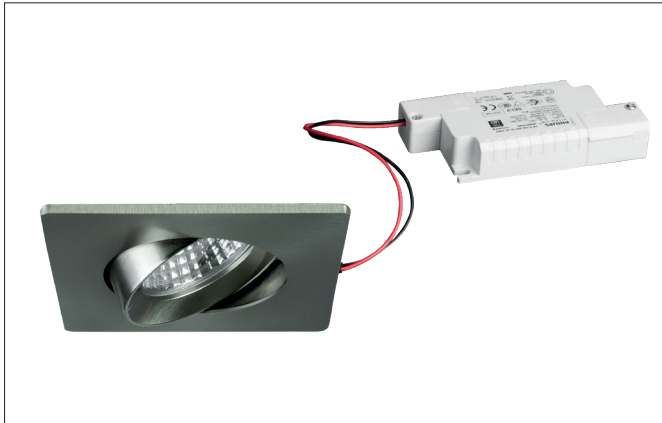


**KALINDA-S LED recessed spot set, trailing-edge phase dimmable**  
 Article no. 39455153

Light.  
 For Generations.



**Tender**  
 LED recessed spot set, trailing-edge phase dimmable. Toolless ceiling installation by installation springs. Ceiling cut-out Ø 74 mm, Installation depth 50 mm, Weight 0,222 kg, Reflector silver with rotationssymmetrical, deep, wide distributed light intensity. optimal light distribution due to a glass transparent cover. Luminous flux 680 lm, Power 1 x 6 W, System Efficiency 113 lm/W, Light colour warm white, Correlated color temprature (CCT) 3.000 K, Colour rendering index CRI > 80, Housing material: Aluminium, Colour: Nickel, Permissible ambient temperature (ta): -20 °C - +25 °C, Protection class (EN 61140): III, Degree of protection (DIN EN 60529): IP20. With electronic driver, Trailing-edge phase dimmable.

Article data	
Article no.	39455153
GTIN	4251433949770
Series name	KALINDA-S
Short description	LED recessed spot set, trailing-edge phase dimmable
Material	Aluminium
Colour	Nickel
Type of surface	Matt
Built-in diameter	74 mm
Installation depth	50 mm
Height	3 mm
Weight	0.222 kg

**KALINDA-S LED recessed spot set, trailing-edge phase dimmable**

Article no. 39455153

Light.  
For Generations.

Lighting technology	
Colour temperature	3.000 K
Light output	Direct
Luminous flux	680 lm
System efficiency	113 lm/W
Colour rendering	CRI > 80
Reflector	High-gloss
Reflektorfarbe	silver
Beam angle	38°
Light sharing	Symmetric

Operating technology of the luminaire	
Lamp holder	Plug&Play
Power	6 W
Voltage type	DC
Current	350 mA
Lamp	LED
Protection class	III
Degree of protection	IP20
Bulb change possible	Yes

Mounting technology	
Mounting method	Recessed mounting
Place of installation	Ceiling-mounted
Adjustability	Pivoted
Swivel angle	40°
Max. ceiling thickness	20 mm
Further references	No cover with thermal insulation material
Material cover	Glass transparent
Circlip	Without circlip
Suitable for through-wiring	Yes, with optional accessories

Packing data	
Gross weight	0.3 kg
Length of packaging	140 mm
Packaging width	110 mm
Packaging height	120 mm
Disposal at end of life	This product must not be disposed of with household waste. You are obliged, to dispose of such electrical waste separately. By disposing of electrical waste and other old or defective electronics separately, you support recycling or other forms of re-use. In that way you help to take care and to avoid that harmful substances get into the environment.