

Wall mounting socket outlet - housing dimensions 126x83



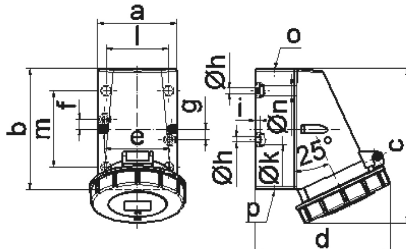
Product description	
BALS-Prd.-Nr	11432
EAN	4024941114325
product category (PG)	Wall mounting socket outlet
current (A)	32A
number of poles (P99)	5p
number of poles (P)	3p+N+PE
position of earth contact (H)	10 h
voltage (V)	> 50V
frequency (HZ)	100 up to 300Hz

Product description	
protection degree (SA)	IP67
colour code 1 (KF1)	green RAL 6002
Colour of appliance	Hinged lid green RAL 6002, Bayonet ring grey RAL 7035, Housing bottom grey RAL 7035, Housing top grey RAL 7035
connection design (AT)	with screw terminal
maximum conductor size (LQ)	10,0 qmm
cable entry (KE)	1xM25 top, 2xM25 bottom
Height	161mm
Width	101mm
Depth	141mm
dimension of enclosure (GG)	126x83 mm (HxW)
material of enclosure (GM)	Polyamide
contact	The contact carrier is made of polyamide, The contacts are brass

Additional technical properties	
	The cable entry is one at top open and two at bottom closed
	Lower part of housing rotatable by 180°
	4 cut out fixing holes in the lower part of housing

Logistics data	
Weight/pcs	0.45 kg / Piece

Logistics data	
Packaging	Carton
Content amount	10 ST
EAN	4024941827423
Length	335 mm
Width	283 mm
Height	268 mm
Weight	4.85 kg
Volume	21,937.5 ccm



Ampere	16	16	16	32	32	32
Polzahl	3	4	5	3	4	5
a	64,0	75,0	75,0	83,0	83,0	83,0
b	87,0	100,0	100,0	126,0	126,0	126,0
c	115,0	130,0	130,0	160,0	160,0	160,0
d	103,0	110,0	115,0	129,0	129,0	135,0
e	51,0	59,0	59,0	68,0	68,0	68,0
f	20,0	11,0	11,0	11,0	11,0	11,0
g	20,0	-	-	-	-	-
h ø	4,1	5,1	5,1	5,5	5,5	5,5
i	4,5	4,5	4,5	6,5	6,5	6,5
k ø	8,0	10,0	10,0	12,0	12,0	12,0
l	-	-	-	65,0	65,0	65,0
m	-	-	-	80,0	80,0	80,0
n ø	-	-	-	10,0	10,0	10,0
o	M20	M20	M20	M25	M25	M25
p	für M20	für M20	für M20	2 x M25	2 x M25	2 x M25
Leiter mm ² min	1,5	1,5	1,5	2,5	2,5	2,5
Leiter mm ² max	4	4	4	10	10	10

1 MB 13