

1 2 3 4 5 6

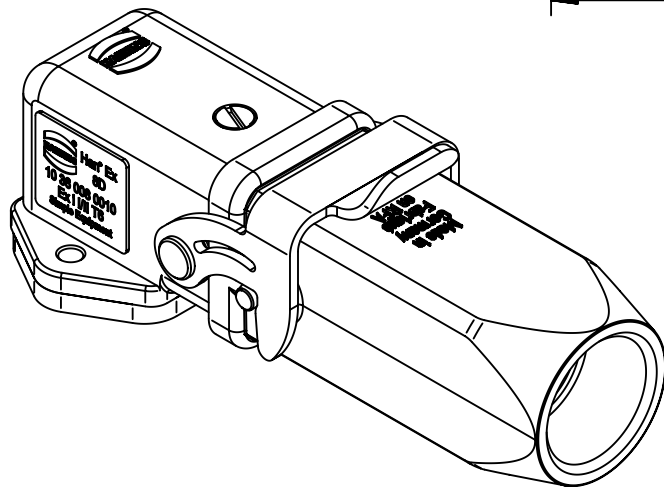
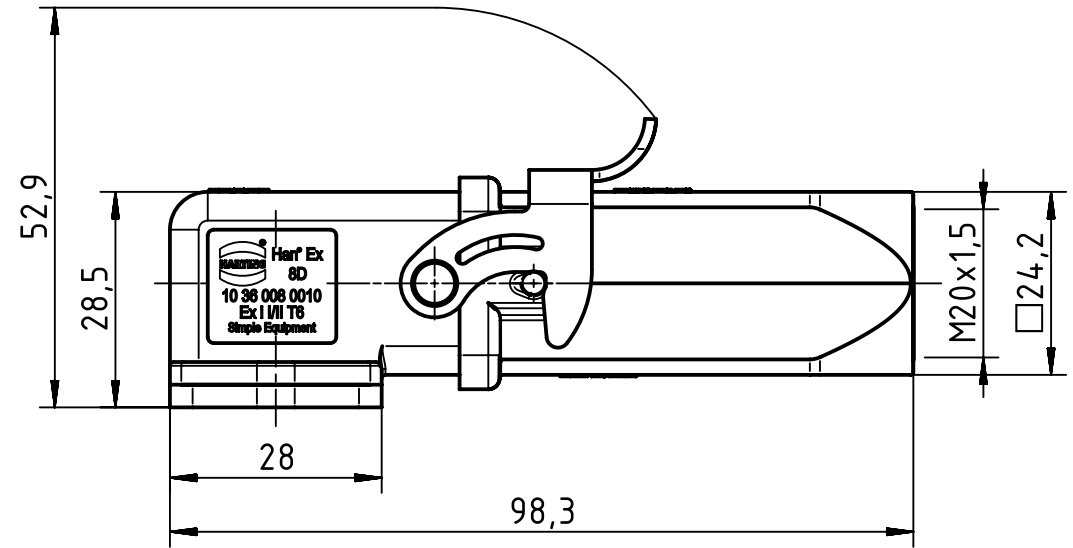
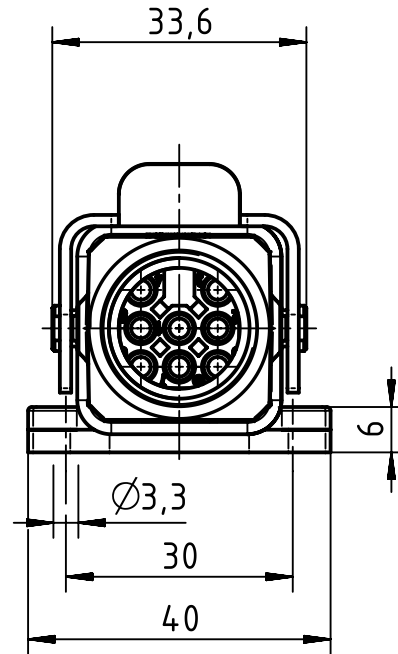
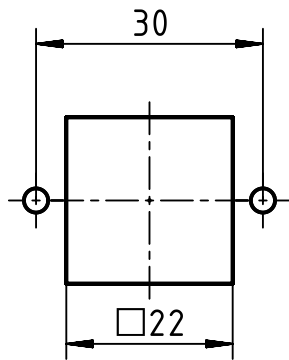
A


B

C

D

panel cut out



	All Dimensions in mm Original Size DIN A4		Scale 1:1	Free size tol.		Ref.	
	All rights reserved Department EL PD - DE		Created by QUADE	Inspected by NICTERLEIN	Standardisation TIEMANNA	Sub.	
HARTING Electric GmbH & Co. KG D-32339 Espelkamp		Title Han Ex Kit HBMA/HTE-M20				Date 2016-05-24	State Final Release
		Type TB	Number 10 36 008 0010			Doc-Key / ECM-Nr. 100571461/UGD/002/B 500000104845	Rev. B Page 1/1