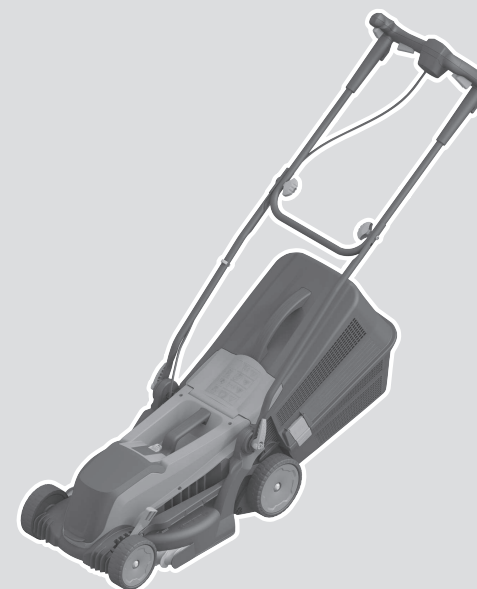




EasyRotak 36-550



Robert Bosch Power Tools GmbH
70538 Stuttgart
GERMANY

www.bosch-pt.com

F 016 L81 913 (2020.02) 0 / 47



F 016 L81 913

- en Original instructions
- ar دليل التشغيل الأصلي
- fa دفترچه راهنمای اصلی



English	Page	3
عربي	الصفحة	13
فارسی	صفحه	23

CE

English

Safety Notes

Warning! Read all safety warnings and all instructions. Make yourself familiar with the controls and the proper use of the product. Please keep the instructions safe for later use!

Explanation of symbols on the machine



General hazard safety alert.



Read instruction manual.



Make sure that bystanders are not injured by foreign objects being thrown away.



Warning: Keep a safe distance to the product when operating.



Caution: Do not touch rotating blades. Sharp blade(s). Beware of severing toes or fingers.



Switch off and remove isolator switch before adjusting, cleaning and before leaving the product unattended for any period.



Not applicable.



Wait until all machine components have completely

stopped before touching them. The blades continue to rotate after the machine is switched off, a rotating blade can cause injury.



Do not use the product in the rain or leave it outdoors when it is raining.



Beware electric shock hazard.



Not applicable.



Only use the battery charger indoors.



Battery charger contains a safety transformer.



Do not use a high-pressure washer or a garden hose to clean the machine.



Carefully check the area where the tool is to be used for wildlife and pets. Wildlife and pets may be injured while the machine is in operation. Thoroughly check the working area and remove any stones, sticks, wires, bones and foreign objects. When using the machine, ensure that no wildlife, pets or small tree stumps are hidden in the dense grass.

Operation

- ▶ Never allow children or people unfamiliar with these instructions to use the product. Local regulations may restrict the age of the operator.

- When not in use store the product out of reach of children.
- ▶ Never allow children, persons with physical, sensory or mental limitations or a lack of experience and/or knowledge and/or people unfamiliar with these instructions to use the product. Local regulations may restrict the age of the operator.
 - ▶ Children should be supervised to ensure that they do not play with the product.
 - ▶ Never work while people, especially children, or pets are nearby.
 - ▶ The user is responsible for accidents or hazards occurring to other people or their property.
 - ▶ Do not wear open rubber shoes or sandals when using the product. Always wear sturdy shoes and long trousers. Do not use barefoot.
 - ▶ Thoroughly inspect the area where the machine is to be used and remove all stones, sticks, wires, bones and other foreign objects.
 - ▶ Before using, always visually inspect to see that the blades, blade bolts and cutter assembly are not worn or damaged. Replace worn or damaged blades and bolts in sets to preserve balance.
 - ▶ Mow only in daylight or in good artificial light.
 - ▶ Avoid mowing in bad weather conditions especially when there is a risk of lightning.
 - ▶ Avoid operating the machine in wet grass, where feasible.
 - ▶ Walk, never run.
 - ▶ Never operate the machine with defective guards or shields, or without safety devices, for example deflectors and/or grass catchers in place.
 - ▶ We would advise you to wear ear protection for your own convenience.
 - ▶ Never operate the product when you are tired, ill or under the influence of alcohol, drugs or medicine.
 - ▶ Working on banks can be dangerous:
 - Do not mow on excessively steep slopes.
 - Always be sure of your footing on slopes or wet grass.
 - Mow across the face of slopes never up and down.
 - Exercise extreme caution when changing direction on slopes.
 - ▶ Use extreme caution when stepping back or pulling the machine towards you.
 - ▶ Never mow by pulling the mower towards you.
 - ▶ Wait until the blades stop if the machine has to be tilted for transportation when crossing surfaces other than grass and when transporting the machine to and from the area to be mowed.
 - ▶ Do not tilt the machine when starting or switching on the motor.

- ▶ Switch on the motor according to the instructions with feet well away from rotating parts.
- ▶ Do not put hands or feet near or under rotating parts.
- ▶ Always stand clear of the discharge zone when operating the machine.
- ▶ Never pick up or carry the machine while the motor is running.
- ▶ When storing, make sure that all 4 wheels of the garden tool stand on the ground/floor.
- ▶ Only lift the garden tool with the carrying handle. Use the carrying handle with care.
- ▶ **Do not modify the machine.** Unauthorized modifications can impair the safety of your machine, lead to increased noise and vibrations, and poor performance.
- ▶ Keep all nuts, bolts and screws tight to ensure safe working with the product.
- ▶ Check the grass bag frequently for wear or deterioration.
- ▶ Inspect the product and replace worn or damaged parts for safety.
- ▶ Ensure replacement cutting means of the right type are used.
- ▶ Ensure replacement parts fitted are Bosch-approved.
- ▶ Before storing, make sure that the product is clean and free of residue. If necessary, clean with a soft dry brush.

Safety Instructions and Recommendations for Optimal Handling of the Battery

- ▶ **Ensure the product is switched off and the isolator key is in the off position before the inserting the battery.** Inserting the battery into a product that has the switch on can cause accidents.
- ▶ **Use only Bosch batteries intended specifically for this product.** Use of any other batteries may create a risk of injury and fire.
- ▶ **Do not open the battery.** There is a risk of short-circuiting.



Protect the battery against heat (e.g., against continuous intense sunlight), fire, water, and moisture. There is a risk of explosion.



- ▶ **Keep the battery not being used away from paper clips, coins, keys, nails, screws or other small metal objects, that can make a connection from one terminal to another.** Shorting the battery terminals together may cause burns or a fire.
- ▶ **In case of damage and improper use of the battery pack, vapours may be emitted.** Ventilate the area and seek medical help in case of complaints. The vapours can irritate the respiratory system.
- ▶ **Only use the battery with products from the manufacturer.** This is the only way in which you can protect the battery against dangerous overload.
- ▶ **The battery can be damaged by pointed objects such as nails or screwdrivers or by force applied externally.**

Remove the isolator switch:

- Whenever you leave the machine.
- Before clearing a blockage.
- Before checking, cleaning or working on the machine.
- After striking a foreign object. Inspect the machine for damage and change the blade as necessary.
- If the machine starts to vibrate abnormally (check immediately).

Maintenance

- ▶ **Always wear gardening gloves when handling or working near the sharp blades.**

An internal short circuit may occur, causing the battery to burn, smoke, explode or overheat.

- ▶ **Do not short-circuit the battery.** There is a risk of explosion.
- ▶ Protect the battery against moisture and water.
- ▶ Store the product and battery only within a temperature range between -20°C and 50°C . As an example, do not leave the battery in the car in summer.
- ▶ Occasionally clean the venting slots of the battery using a soft, clean and dry brush.

Safety Warnings for Battery Chargers



Read all safety warnings and all instructions. Failure to follow the safety warnings and instructions may result in electric shock, fire and/or serious injury.

Save all safety warnings and instructions for future reference.

Use the battery charger only when you fully understand and can perform all functions without limitation, or have received appropriate instructions.

- ▶ Never allow children, persons with physical, sensory or mental limitations or a lack of experience and/or knowledge and/or people unfamiliar with these instructions to use the battery charger. Local regulations may restrict the age of the operator.
- ▶ **Supervise children at all times.** This will ensure that children do not play with the battery charger.
- ▶ Charge only Bosch lithium-ion batteries with a capacity above **2.0 Ah** (10 battery cells or more). The battery voltage must match the battery charging voltage of the charger. Do not charge non-rechargeable batteries. Otherwise there is a danger of fire and explosion.



Keep the battery charger away from rain or moisture. Penetration of water in the battery charger increases the risk of an electric shock.

- ▶ **Keep the charger clean.** Dirt poses a risk of electric shock.

- ▶ **Always check the charger, cable and plug before use. Stop using the charger if you discover any damage. Do not open the charger yourself, and have it repaired only by a qualified specialist using only original replacement parts.** Damaged chargers, cables and plugs increase the risk of electric shock.
- ▶ **Do not operate the charger on an easily ignited surface (e.g. paper, textiles, etc.) or in a flammable environment.** There is a risk of fire due to the charger heating up during operation.
- ▶ **Do not cover the ventilation slots of the battery charger.** Otherwise, the battery charger can overheat and no longer operate properly.
- ▶ For increased electrical safety, we recommend using a residual current device with a max. tripping current of 30 mA. Before using, always check your residual current device.

Symbols

The following symbols are important for reading and understanding the original instructions. Please take note of the symbols and their meaning. The correct interpretation of the symbols will help you to use the product in a better and safer manner.

Symbol	Meaning
	Movement direction
	Reaction direction
	Wear protective gloves
	Weight
	Switching on
	Switching off
	Permitted action
	Prohibited action
CLICK!	Audible noise
	Accessories/Spare Parts

Intended Use

The garden product is intended for domestic lawn mowing. The garden product is not intended for hedge cutting, trimming, shredding, etc.

The garden product is intended for lawn mowing at ground level.

Technical Data

Lawnmower		EasyRotak 36-550	
Article number		3 600 HB9 B..	
Rated voltage	V	36	
Bowl diameter	cm	38	
Height of cut	mm	25 – 70	
Capacity, grass bag	l	40	
Weight according to EPTA-Procedure 01:2014 ^{A)}	kg	15.00	
Serial number		see type plate on garden tool	
Recommended ambient temperature during charging	°C	0 ... +35	
Permitted ambient temperature during operation ^{B)} and storage	°C	-20 ... +50	
Battery		Li-Ion	
Rated voltage	V	36	
Article number/Capacity			
– 2 607 336 913/ 1 607 A35 02V	Ah	2.0	
– 2 607 336 915/ 2 607 337 047	Ah	4.0	
– 1 607 A35 058	Ah	6.0	
Number of battery cells			
– 2 607 336 913/ 1 607 A35 02V		10	
– 2 607 336 915/ 2 607 337 047		20	
– 1 607 A35 058		20	

A) Depends on battery in use

B) Limited performance at temperatures <0 °C

All values in this manual are measured for usage below or equal to 2000 meters above nominal sea level.

Charger	AL 3620 CV		AL 36V-20
Article number	EU	2 607 225 657	2 607 226 273
	UK	2 607 225 659	2 607 226 275
	AU	2 607 225 661	2 607 226 277
	KO	2 607 225 667	2 607 226 279
Charging current	A	2.0	2.0
Charging period (battery discharged)			
– Battery with 2.0 Ah	min	65	65
– Battery with 4.0 Ah	min	125	125
– Battery with 6.0 Ah	min	185	185
Weight according to EPTA-Procedure 01:2014	kg	0.55	0.55
Protection class		□/II	□/II

Noise/Vibration Information

3 600 HB9 B..

Noise emission values determined according to **EN 60335-2-77**.

Typically the A-weighted noise levels of the product are:

- Sound pressure level	dB(A)	84
- Sound power level	dB(A)	96
- Uncertainty K	dB	= 1.5

Vibration total values ah (triax vector sum) and uncertainty K determined according to **EN 60335-2-77**

- Vibration emission value a_h	m/s^2	< 2.5
- Uncertainty K	m/s^2	= 1.5

Mounting and Operation

Action	Figure	Page
Delivery scope ^{A)}	A	33
Mounting wheels	B	34
Mounting the handle	C	35
Adjusting the working height		
Snap together the Grassbox	D	36
Grassbox fitting/removing	E	36
Setting the height of cut	F	37
Inserting the battery	G	37
Operation	H	38
- Inserting the isolator switch		
- Switching on		
- Mowing		
- Switching off		
- Removing the isolator switch		
Removing the battery	I	39
Working advice "mowing"	J	39
Blade maintenance/Blade replacement	K	40
Selecting accessories	L	40

A) Accessories shown or described are not included with the product as standard. You can find the complete selection of accessories in our accessories range.

Starting Operation

For Your Safety

- ▶ **Warning! Switch off, remove the isolator switch and the battery before adjusting or cleaning. The same applies when the cable to the switch in the handle is damaged, cut or entangled.**
- ▶ **The blade continues to rotate for a few seconds after the machine is switched off.**
- ▶ **Caution: Do not touch the rotating blade.**

Charging the Battery

The battery is equipped with temperature monitoring that allows charging only in the temperature range between 0 °C and 35 °C. In this manner, a high battery service life is achieved.

Note: The battery is supplied partially charged. To ensure full battery capacity, completely charge the battery in the battery charger before using for the first time.

The lithium-ion battery can be charged at any time without reducing its service life. Interrupting the charging procedure does not cause damage to the battery.

The "Electronic Cell Protection (ECP)" protects the lithium-ion battery against deep discharging. When the battery is empty, the product is switched off by means of a protective circuit. The product no longer operates.

Do not continue to press the On/Off switch after an automatic shut-off of the product. The battery could become damaged.

Observe the notes for disposal of the battery.

Inserting/Removing the Battery

Note: Using unsuitable batteries can lead to malfunctions or damage the machine.

Insert the charged battery. Ensure the battery is inserted correctly.

To remove the battery from the machine, press the battery unlocking button and pull the battery out.

Charging Procedure

The charging procedure starts as soon as the mains plug of the charger is plugged into a socket outlet and the battery is inserted onto the charger.

Due to the intelligent charging method, the charging condition of the battery is automatically detected and the battery is charged with the optimum charging current, depending on battery temperature and voltage.

This gives longer life to the battery and always leaves it fully charged when kept in the charger for storage.

Meaning of the indication elements on the charger (AL 3620 CV/AL 3640 CV/AL 36V-20)

Rapid-charging Procedure



The rapid-charging procedure is indicated by **flashing** of the **green** battery charge indicator.

Indication element of the battery: During the charging procedure, the three green LEDs light up one after the other and briefly go out. The battery is fully charged when the three green LEDs light up continuously. The three LEDs go out again approx. 5 minutes after the battery has been fully charged.

Note: The rapid-charging procedure is only possible when the battery temperature is within the allowable charging temperature range, see section "Technical Data".

Battery charged



Continuous lighting of the **green** LED indicator indicates that the battery is fully charged.

Additionally, a signal tone sounds for approx. 2 seconds, which acoustically indicates that the battery is fully charged.

Afterwards, the battery can be removed for immediate use. When the battery is not inserted, **continuous lighting** of the LED indicator indicates that the mains plug is inserted in the socket outlet and that the battery charger is ready for operation.

Battery Temperature below 0°C or above 45°C



Continuous lighting of the **red** LED indicator indicates that the temperature of the battery is not within the allowable charging temperature range, see section "Technical Data". As soon as the allowable charging temperature range is reached, the battery charger automatically switches to rapid charging.

When the battery is not within the allowable temperature range, the red battery LED lights up when inserting the battery into the battery charger.

No Charging Procedure Possible



If a different malfunction of the charging procedure is present, this will be indicated through **flashing** of the **red** LED indicator.

The charging procedure cannot be started and the battery cannot be charged (see section Troubleshooting).

Charging Advice

With continuous or several repetitive charging cycles without interruption, the charger can warm up. This is not meaningful and does not indicate a technical defect of the battery charger.

A significantly reduced working period after charging indicates that the battery is used and must be replaced. Observe the notes for disposal.

Battery Cooling (Active Air Cooling)

The fan control integrated into the charger monitors the temperature of the inserted battery. When the battery temperature is above 30 °C, a fan cools down the battery to the op-

timal charging temperature. The fan generates a ventilation sound when switched on.

If the fan is not running, the battery temperature is within the optimum charge-temperature range or the fan is defective. In this case, the charging time of the battery might be extended.

Working Advice

Battery charge-control indicator

The battery is equipped with a charge-control indicator, which indicates its charge condition. The charge-control indicator consists of 3 green LEDs.

Press the charge-control indicator button to actuate the charge-control indicator. After approx. 5 seconds, the charge-control indicator goes out automatically.

The charge condition can also be checked when the battery is removed.

LED Indication	Battery Capacity
Continuous lighting of 3 green LEDs	$\geq 2/3$
Continuous lighting of 2 green LEDs	$\geq 1/3$
Continuous lighting of 1 green LED	$\leq 1/3$
Flashing of 1 green LED	Reserve

When no LED lights up after pressing the button, then the battery is defective and must be replaced.

For safety reasons, the charge condition of the battery can only be checked when the garden product is at a standstill.

During the charging procedure, the three green LEDs light up one after the other and briefly go out. The battery is fully charged when the three green LEDs light up continuously. The three green LEDs go out again approx. 5 minutes after the battery has been fully charged.

Temperature Monitoring Indicator of the battery

The red LED of the temperature monitoring indicator signals that the battery or the electronics of the garden product (with battery inserted) are not within the optimum temperature range. When this occurs, the garden product will not operate or not at full capacity.

Temperature Monitoring of the Battery

The red LED flashes when pressing the button or the On/Off switch (with battery inserted): The battery is outside of the permitted operating temperature range.

The battery switches off at a temperature above 70 °C until the allowable operating-temperature range is reached again.

Temperature Monitoring of the Garden Product's Electronics

The red LED lights up **continuously** when pressing the On/Off switch: The temperature of the garden product's electronics is below 5 °C or above 75 °C.

At a temperature above 90 °C, the electronics of the garden product switch off until the temperature is within the allowable operating-temperature range again.

Cutting Capacity (Battery Operating Duration)

The cutting capacity (battery operating duration) depends on lawn properties, such as grass density, moisture content, grass length and height of cut.

Switching the machine on and off frequently during cutting will also reduce the cutting capacity (battery operating duration).

To improve the cutting capacity (battery operating duration), it is recommended to cut more frequently, increase the cutting height and walk at an appropriate pace.

The example below shows the connection between cutting height and cutting capacity with regard to three batteries.

Cutting Conditions



Cutting capacity	
Battery with 2.0 Ah	up to 250 m ²
Battery with 4.0 Ah	up to 500 m ²
Battery with 6.0 Ah	up to 750 m ²

To increase the run time an additional battery can be purchased from an authorised customer service agent for Bosch garden products.

Troubleshooting



Problem	Possible Cause	Corrective Action
Motor refuses to start	Internal wiring of garden tool defective	Contact Bosch customer service agent
	Battery discharged	Recharge battery
	Battery too hot/cold	Allow to cool/warm
	Grass too long	Max. allowed grass height 15 cm on highest height-of-cut setting
	Motor protector has activated	Allow motor to cool and increase height of cut
	Isolator key not inserted correctly/fully	Fit correctly
Garden tool functions intermittently	Internal wiring of garden tool defective	Contact Bosch customer service agent
	Motor protector has activated	Allow motor to cool and increase height of cut
Machine leaves ragged finish and/or Motor labours	Height of cut too low	Increase height of cut
	Cutting blade blunt	Replace cutting blade (see figure K).
	Possible clogging	Switch garden tool off and disengage isolator key Check underneath the garden product and clear out as necessary (always wear protective gloves)
	Blade fitted upside down	Refit blade correctly
Blade not rotating while garden product switched on	Cutting blade obstructed	Switch garden tool off and disengage isolator key Clear obstruction (always wear protective gloves)
	Blade nut/bolt loose	Tighten blade nut/bolt (22 Nm)
Excessive vibrations/noise	Blade nut/bolt loose	Tighten blade nut/bolt (22 Nm)
	Cutting blade damaged	Replace cutting blade (see figure K).

Battery and charger

Problem	Possible Cause	Corrective Action
Red battery charge indicator on charger flashes	Battery not (properly) inserted	Properly insert battery in charger
	Battery contacts contaminated	Clean the battery contacts (e. g. by inserting and removing the battery several times) or replace the battery
No charging procedure possible	Battery defective	Replace the battery
Battery charge indicator on charger do not light up	Mains plug of battery charger not plugged in (properly)	Insert mains plug (fully) into the socket outlet
	Socket outlet, mains cable or battery charger defective	Check the mains voltage; have the battery charger checked by an authorised after-sales service agent for Bosch power tools

Maintenance and Service

Battery Maintenance

- ▶ **Warning! Switch off, remove the isolator switch, battery and grass bag before adjusting or cleaning.**
- ▶ **Always wear gardening gloves when handling or working near the sharp blades.**

Use the following procedures to enable optimum usage of the battery:

- Protect the battery against moisture and water.
- Store the machine and battery only within a temperature range between –20 °C and 50 °C. As an example, do not leave the battery in the car in summer.
- It is recommended that the battery is not stored within the product but stored separately.
- Do not leave the battery in the product in direct sunlight.
- The ideal storage condition for the battery is 5 °C.
- Occasionally clean the venting slots of the battery using a soft, clean and dry brush.

A significantly reduced working period after charging indicates that the battery is used and must be replaced.

After-sales Service and Application Service

www.bosch-garden.com

In all correspondence and spare parts orders, please always include the 10-digit article number given on the nameplate of the product.

Great Britain

Robert Bosch Ltd. (B.S.C.)
P.O. Box 98
Broadwater Park
North Orbital Road
Denham Uxbridge
UB 9 5HJ

At www.bosch-pt.co.uk you can order spare parts or arrange the collection of a product in need of servicing or repair.

Tel. Service: (0344) 7360109

E-Mail: boschservicecentre@bosch.com

Ireland

Origo Ltd.
Unit 23 Magna Drive
Magna Business Park
City West
Dublin 24
Tel. Service: (01) 4666700
Fax: (01) 4666888

Australia, New Zealand and Pacific Islands

Robert Bosch Australia Pty. Ltd.
Power Tools
Locked Bag 66
Clayton South VIC 3169
Customer Contact Center
Inside Australia:
Phone: (01300) 307044
Fax: (01300) 307045
Inside New Zealand:
Phone: (0800) 543353
Fax: (0800) 428570
Outside AU and NZ:
Phone: +61 3 95415555
www.bosch-pt.com.au
www.bosch-pt.co.nz

Republic of South Africa

Customer service

Hotline: (011) 6519600

Gauteng – BSC Service Centre

35 Roper Street, New Centre
Johannesburg
Tel.: (011) 4939375
Fax: (011) 4930126
E-Mail: bsctools@icon.co.za

KZN – BSC Service Centre

Unit E, Almar Centre
143 Crompton Street
Pinetown
Tel.: (031) 7012120
Fax: (031) 7012446
E-Mail: bsc.dur@za.bosch.com

Western Cape – BSC Service Centre

Democracy Way, Prosperity Park
Milnerton
Tel.: (021) 5512577

Fax: (021) 5513223

E-Mail: bsc@zsd.co.za

Bosch Headquarters

Midrand, Gauteng

Tel.: (011) 6519600

Fax: (011) 6519880

E-Mail: rbsa-hq.pts@za.bosch.com

Armenia, Azerbaijan, Georgia

Robert Bosch Ltd.

David Agmashenebeli ave. 61

0102 Tbilisi, Georgia

Tel. +995322510073

www.bosch.com

Kyrgyzstan, Mongolia, Tajikistan, Turkmenistan, Uzbekistan

TOO "Robert Bosch" Power Tools, After Sales Service

Muratbaev Ave., 180

050012, Almaty, Kazakhstan

Service Email: service.pt.ka@bosch.com

Official Website: www.bosch.com, www.bosch-pt.com

Please observe the instructions under Transport.

Transport

The contained lithium-ion batteries are subject to the Dangerous Goods Legislation requirements. The batteries are suitable for road-transport by the user without further restrictions.

When being transported by third parties (e.g.: air transport or forwarding agency), special requirements on packaging and labelling must be observed. For preparation of the item being shipped, consulting an expert for hazardous material is required.

Dispatch battery packs only when the housing is undamaged. Tape or mask off open contacts and pack up the battery in such a manner that it cannot move around in the packaging. Please also observe the possibility of more detailed national regulations.

Disposal



The garden product, batteries, accessories and packaging should be sorted for environmental-friendly recycling.



Do not dispose of garden products and batteries/rechargeable batteries into household waste!

Only for EC countries:

According to the European law 2012/19/EU, electrical and electronic equipments that are no longer usable, and according to the European law 2006/66/EC, defective or used battery packs/batteries, must be collected separately and disposed of in an environmentally correct manner.

Battery packs/batteries:

Li-Ion:

انتظر إلى أن تتوقف جميع أجزاء جهاز الحديقة عن الحركة بشكل كامل قبل أن تلمسها. تتابع السكاكين دورانها بعد إطفاء جهاز الحديقة وقد تحدث إلى الإصابات.



لا تستعمل الجهاز أثناء هطول الأمطار ولا تعرضه للمطر.



اتقي من الصدمات الكهربائية.



غير صحيح.



استخدم جهاز الشحن في الغرف الجافة فقط.



لقد تم تجهيز جهاز الشحن بمحول أمان.



لا تستخدم منظف الضغط العالي أو خرطوم الحديقة من أجل تنظيف جهاز الحديقة.



افحص المجال الذي تريد استخدام جهاز الحديقة فيه جيداً للتأكد من عدم وجود الحيوانات المتوحشة



والمنزلية فيه. وجود احتمال جرح الحيوانات المتوحشة والمنزلية أثناء تشغيل الجهاز. افحص مجال استخدام الجهاز جيداً وقم بإزالة جميع الأحجار وعيدان الخشب والأسلاك والعظام والأجسام الغريبة. عند استخدام الجهاز، تأكد من عدم وجود الحيوانات المتوحشة والمنزلية وجذوع الأشجار الصغيرة في العشب الكثيف.

عربي

ملاحظات الأمان

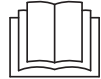
تنبيه! اقرأ التعليمات التالية بإمعان. تمرّس على استخدام عناصر الاستخدام وعلى الاستعمال المخصص للجهاز. يرجى الاحتفاظ بتعليمات التشغيل هذه بمكان آمن للرجوع إليها في المستقبل.

شرح الرموز على جهاز الحديقة

ملاحظة خطر عامة.



اقرأ تعليمات التشغيل هذه.



احرص على عدم إصابة الأشخاص المتواجدين بالجوار بسبب الأجسام الخارجية المتطايرة.



تحذير: حافظ على مسافة آمنة تبعدك عن الجهاز عند التشغيل.



احترس: لا تلمس السكاكين الدوارة. السكاكين حادة. احترس من فقدان أصابع القدم واليد.



اطفئ جهاز الحديقة وحل قاطع التيار الكهربائي قبل تنفيذ أعمال الضبط أو التنظيف أو إن كنت ستترك جهاز الحديقة دون مراقبة حتى لو كان ذلك لوقت قصير فقط.



غير صحيح.



التشغيل

- ◀ افحص قبل الاستخدام دائما إن كانت السكاكين ولوالب السكاكين ومجموعات القص مستهلكة أو تالفة. استبدل دائما كامل طقم السكاكين وأيضا طقم لوالب السكاكين المستهلكة أو التالفة بشكل كامل لتجنب إخلال التوازن.
- ◀ قص الأعشاب فقط أثناء ضوء النهار أو الأضواء الاصطناعية الجيدة.
- ◀ لا تعمل بواسطة جزازة العشب عندما تكون الظروف المناخية رديئة ولاسيما عند بدء العواصف.
- ◀ لا تستعمل جهاز الحديقة قدر الإمكان إن كانت الأعشاب مبتلة.
- ◀ ينبغي المشي بهدوء دائما، ولا يجوز السير بسرعة أبدا.
- ◀ لا تستخدم جهاز الحديقة أبدا إن كانت تجهيزات الوقاية أو الأغطية تالفة أو بلا تجهيزات الأمان، مثلا: واقية الصدم و/أو سلة جمع الأعشاب.
- ◀ إننا ننصح بارتداء واقية سمع للوقاية الشخصية.
- ◀ لا تستخدم الجهاز إن كنت مرهقا أو مريضا أو إن كنت تحت تأثير الكحول أو المخدرات أو الأدوية.
- ◀ إن مزاوله العمل على المنحدرات قد تكون خطيرة:
 - لا تقص الأعشاب بالمنحدرات الشديدة الانحدار.
 - احرص على الوقوف بثبات دائما على السطوح المنحدرة والأعشاب المبتلة.
- ◀ لا تسمح للأطفال أو للأشخاص الغير مطلعين على هذه التعليمات أبدا أن يستعملوا جهاز الحديقة. يجوز أن تحد الأحكام الوطنية من سن بعيدا عن تناول الأطفال عندما لا يتم استخدامه.
- ◀ لا تسمح للأطفال أو للأشخاص ذوي المقدرات الجسدية أو الحسية أو العقلية المحدودة أو القليلي الخبرة و/أو المعدومي المعرفة و/أو للأشخاص الغير مطلعين على التعليمات هذه أبدا أن يستعملوا الجهاز. يجوز أن تحد الأحكام الوطنية من سن المستخدم.
- ◀ ينبغي مراقبة الأطفال لضمان عدم لعبهم بالجهاز.
- ◀ لا تستخدم جهاز الحديقة أبدا إن تواجد الأشخاص الآخرين ولا سيما الأطفال أو الحيوانات المنزلية على مقربة مباشرة.
- ◀ إن المستخدم أو المستعمل هو الذي يحمل مسؤولية الحوادث أو الإصابات التي تصيب الأشخاص الآخرين أو ممتلكاتهم.
- ◀ لا ترتد أحذية مطاطية مفتوحة أو صنادل عندما تستخدم الجهاز. ارتد أحذية متينة وبنطال طويل دائما. لا تستخدم الجهاز أبدا وأنت حافي القدمين.
- ◀ افحص السطح المرغوب معالجته بإمعان وأزل الحجارة والعصي والأسلاك المعدنية والعظام وغيرها من الأشياء الغريبة.

◀ لا تقوم بتعديل الجهاز. إن التعديلات الغير مسموح بها قد تؤثر سلباً على أمان الجهاز وقد تؤدي إلى زيادة الضجيج والاهتزازات وإلى نتائج عمل سيئة.

حل قاطع التيار الكهربائي

- دائماً عندما تبتعد عن جهاز الحديقة.
- قبل إزالة الاستعصاء.
- عندما تفحص أو تنظف جهاز الحديقة أو عند إجراء الأعمال عليه.
- بعد الاصطدام بغرض غريب، افحص جهاز الحديقة فوراً لكشف التلف واستبدل السكنينة إن تطلب الأمر ذلك.
- إن بدأ جهاز الحديقة بالاهتزاز بشكل غريب (افحصه فوراً).

الصيانة

◀ ارتد قفازات الحدائق دائماً، عند إجراء الأعمال أو التعديلات في مجال السكاكين.

- ◀ تأكد من ثبات جميع الصواميل والمسامير واللواكب لضمان سلامة وأمان العمل بالجهاز.
- ◀ افحص مدى تلف واستهلاك كيس جمع الأعشاب بانتظام.
- ◀ افحص الجهاز واستبدل القطع المستهلكة أو التالفة على سبيل الاحتياط.
- ◀ استخدم فقط سكاكين القص المخصصة لجهاز الحديقة هذا دون غيره.

- قص الأعشاب على السطوح المائية دائماً بشكل عرضي وليس للأعلى و الأسفل.
- احترس بشكل شديد عند تغيير الاتجاه على المنحدرات.

◀ احترس بشكل شديد عند السير نحو الخلف أو عند سحب جهاز الحديقة.

◀ ادفع جهاز الحديقة أثناء قص الأعشاب دائماً نحو الأمام ولا تسمح له أبداً نحو جسمك.

◀ يجب أن تكون السكاكين متوقفة عن الحركة عندما تضطر لقلب جهاز الحديقة من أجل نقله أو عندما تعبر السطوح الغير مزروعة بالأعشاب أو عندما تنقل جهاز الحديقة من وإلى المجال المرغوب قص أعشابه.

◀ لا تميل جهاز الحديقة عند بدء التشغيل أو عند إدارة المحرك.

◀ شغل جهاز الحديقة بالطريقة الموصوفة في تعليمات التشغيل واحرص على إبعاد قدميك بمسافة كافية عن الأجزاء الدوارة.

◀ لا تقرب يديك وبقدميك من الأجزاء الدوارة ولا تضعها تحتها.

◀ ابتعد عن مجال القذف عندما تعمل بواسطة جهاز الحديقة.

◀ لا ترفع أو تحمل جهاز الحديقة أبداً عندما يدور المحرك.

◀ تأكد من استقرار جميع العجلات الاربع لجهاز الحديقة على الأرض عند التخزين.

◀ ارفع جهاز الحديقة فقط بمقبض الحمل. قم بمعاملة المقبض بحذر.

تعليمات الأمان لأجهزة الشحن

اقرأ جميع ملاحظات الأمان و التعليمات. إن التقصير عند تطبيق ملاحظات الأمان والتعليمات قد يؤدي إلى الصدمات الكهربائية واندلاع الحرائق و/أو الإصابة بجروح خطيرة. احتفظ بجميع ملاحظات الأمان والتعليمات للمستقبل.



استخدم جهاز الشحن فقط إن كان بإمكانك أن تقدر كامل وظائفه بشكل تام وكان بإمكانك أن تنفذها كاملة وكنت قد استلمت التعليمات الموافقة.

لا تسمح للأطفال أو للأشخاص ذوي المقدرات الجسدية أو الحسية أو العقلية المحدودة أو القليلي الخبرة و/أو المعدومي المعرفة و/أو للأشخاص الغير مطلعين على التعليمات هذه أبدا أن يستعملوا جهاز الشحن. يجوز أن تحد الأحكام الوطنية من سن المستخدم.

راقب الأطفال. لضمان عدم عبث الأطفال بجهاز الشحن. لا تشحن إلا مراكم أيونات الليثيوم من Bosch بدءاً من السعة 2,0 أمبير ساعة (بدءاً من 10 خلايا مراكم). يجب أن يلائم جهد المراكم جهد شحن جهاز الشحن. لا تقم بشحن مراكم غير قابلة لإعادة الشحن. يتشكل خطر نشوب الحرائق والانفجار في حال عدم التقيد بذلك.

احم جهاز الشحن من الأمطار والرطوبة. يزيد تسرب الماء إلى داخل جهاز الشحن من أخطار الصدمات الكهربائية.



حافظ على نظافة جهاز الشحن. حيث يكون هناك خطر حدوث صدمة كهربائية من جراء تعرضها للاتساق. قبل الاستخدام افحص جهاز الشحن والكابل والقباس. لا تستخدم جهاز الشحن إذا اكتشفت وجود أضرار به. لا تفتح جهاز الشحن بنفسك ولا تقم بإصلاحه إلا لدى فنيين متخصصين مؤهلين مع الاقتصار على استخدام قطع الغيار الأصلية. يزداد خطر الإصابة بصدمة

احرص على كون الأجزاء المستبدلة صنع بوش. تأكد قبل التخزين بأن الجهاز نظيفاً وخالياً من المخلفات. نظفه بواسطة فرشاة طرية وجافة إن تطلب الأمر ذلك.

ملاحظات الأمان وملاحظات لمعاملة المرمك بشكل مثالي

تأكد بأن يكون جهاز المديقة مطفأ وقاطع التيار الكهربائي مفصلاً قبل تركيب المرمك. إن تركيب المرمك بجهاز المديقة قيد التشغيل قد يؤدي إلى حدوث الحوادث. استخدم فقط مراكم بوش المخصصة لجهاز المديقة هذا. إن استخدام غيرها من المراكم قد يؤدي إلى الإصابات وإلى مخاطر الحرائق. لا تفتح المرمك. يتشكل خطر تصفير الدائرة الكهربائية.

احم المرمك من الحرارة، بما فيه أيضاً التعرض لأشعة الشمس باستمرار مثلاً ومن النار، والماء والرطوبة. قد يتشكل خطر الانفجار.



حافظ على إبعاد المرمك الغير مستخدم بعيداً عن مشابك الورق وقطع النقود المعدنية والمفاتيح والمسامير واللواكب أو الأغراض المعدنية الصغيرة التي قد تؤدي إلى تماس الملامسين. إن عطل التماس بين ملامسي المرمك قد يؤدي إلى الاحتراق أو اندلاع النار.

قد تتسرب الأبخرة عند تلف المرمك واستخدامه بطريقة غير سليمة. أمن امداد المكان بالهواء النقي وراجع الطبيب في حال الإصابة. إن الأبخرة قد تهيج المجاري التنفسية.

اقتصر على استخدام المرمك في منتجات الجهة الصانعة. يتم حماية المرمك من فرط التميل الخطير بهذه الطريقة فقط دون غيرها.

يمكن أن يتعرض المرمك لأضرار من خلال الأشياء المدببة مثل المسامير والمفكات أو من خلال تأثير القوى الخارجية. وقد يؤدي هذا إلى تصفير الدائرة الكهربائية الداخلية واحتراق المرمك أو خروج الأبخرة منه أو انفجاره وتعرضه لسخونة مفرطة.

لا تقوم بتقصير الدارة الكهربائية بالمرمك. يتشكل خطر الانفجار.

احم المرمك من الرطوبة والماء. خزن جهاز المديقة والمرمك فقط في الحرارة بين 20- درجة مئوية و50 درجة مئوية. مثلاً لا تترك المرمك في السيارة في الصيف. نظف شقوق التهوية بالمرمك من فترة لأخرى بواسطة فرشاة طرية ونظيفة وجافة.

الرمز	المعنى
	ارتد قفازات واقية
	الوزن
	التشغيل
	الإطفاء
	تصرف مسموح
	عمل ممنوع
CLICK!	الصوت المسموع
	التوابع/قطع الغيار



الاستعمال المخصص

لقد خصص جهاز الحديقة لقص الأعشاب في الأماكن الخاصة.
لم يخصص جهاز الحديقة من أجل قص الأسجة النباتية والتشذيب والتفتيت إلخ..
يخصص جهاز الحديقة لقص الأعشاب بمستوى ارتفاع الأرض.

- كهربائية في حالة وجود أضرار بأجهزة الشحن والكابلات الكهربائية والقوابس.
- ◀ لا تقم بتشغيل جهاز الشحن على أرضية سهلة الاشتعال (مثل الورق والمنسوجات وما شابه) أو في بيئة قابلة للاشتعال. حيث ينشأ خطر اندلاع حريق نتيجة للسخونة المتولدة بجهاز الشحن عند الشحن.
- ◀ لا تغطي فتحة تهوية جهاز الشحن. يمكن أن يتعرض جهاز الشحن لسخونة مفرطة ولا يعمل بعد ذلك بشكل سليم.
- ◀ لزيادة الأمان الكهربائي ننصح باستخدام قاطع أمان للتيار الكهربائي يفصل عند حد أقصى 30 ميلي أمبير في حال ارتفاع قيمة التيار بالخطأ. افحص قاطع الأمان للتيار دائماً قبل الاستعمال.

الرموز

قد تكون الرموز التالية ذات أهمية من أجل قراءة وفهم تعليمات التشغيل. يرجى حفظ الرموز ومعناها. يساعدك تفسير الرموز بشكل صحيح على استعمال الجهاز بطريقة أفضل وأكثر أماناً.

الرمز	المعنى
	اتجاه الحركة
	جهة رد الفعل

البيانات الفنية

EasyRotak 36-550		جزارة العشب
3600 HB9 B..		رقم الصنف
36	فولط	الجهد الاسمي
38	سم	عرض هيكل السكين
70 - 25	ملم	ارتفاع القص
40	لتر	سعة كيس جمع الأعشاب
15,00	كغ	الوزن حسب (EPTA-Procedure 01:2014) ^(A)
راجع لافتة الطراز على جهاز الحديقة		الرقم المتسلسل
35+ ... 0	درجة مئوية	درجة الحرارة المحيطة الموصى بها عند الشحن
50+ ... 20-	درجة مئوية	درجة الحرارة المحيطة المسموع به عند التشغيل ^(B) وعند التخزين
أيونات الليثيوم		مركم
36	فولط	الجهد الاسمي
		رقم الصنف/السعة
2,0	أمبير ساعة	2 607 336 913 / - 1 607 A35 02V
4,0	أمبير ساعة	2 607 336 915 / - 2 607 337 047
6,0	أمبير ساعة	1 607 A35 058 -
		عدد خلايا المركم

جزارة العشب		EasyRotak 36-550
10	2 607 336 913 / - 1 607 A35 02V	
20	2 607 336 915 / - 2 607 337 047	
20	1 607 A35 058 -	

(A) حسب المرمك المستخدم

(B) قدرة محدودة في درجات الحرارة > 0°م

تم قياس جميع القيم المذكورة في هذه التعليمات من أجل استخدام الجهاز بارتفاع فوق سطح البحر يبلغ 2000 متر كحد أقصى.

جهاز الشحن		AL 36V-20	AL 3620 CV	رقم الصنف
2 607 226 273	2 607 225 657		EU	
2 607 226 275	2 607 225 659		UK	
2 607 226 277	2 607 225 661		AU	
2 607 226 797	2 607 225 667		KO	
2,0	2,0		A	تيار الشحن
				مدة الشحن (تفريغ المرمك)
65	65		د	- مرمك بقدرة 2,0 أمبير ساعة
125	125		د	- مرمك بقدرة 4,0 أمبير ساعة
185	185		د	- مرمك بقدرة 6,0 أمبير ساعة
0,55	0,55		كغ	الوزن حسب EPTA-Procedure 01:2014
II/□	II/□			فئة الوقاية

بدء التشغيل

من أجل سلامتك

- ◀ تنبيه! اطفئ جهاز الحديقة وحل قاطع التيار الكهربائي وفك المرمك قبل تنفيذ أعمال الصيانة أو التنظيف. ويطبق ذلك أيضا إن كان كبل المفتاح تالف أو مقصوص أو ملتبس عشوائيا.
- ◀ تتابع السكاكين دورانها لعدة ثوان بعد إطفاء جهاز الحديقة.
- ◀ احترس: لا تلمس سكين القص الدوارة.

شحن المرمك

لقد تم تجهيز المرمك بمراقب حراري وهو يسمح بالشحن فقط ضمن مجال حراري يبلغ بين 0 درجة مئوية و 35 درجة مئوية. ويؤدي ذلك إلى مدة صلاحية عالية للمرمك.

ملاحظة: يتم تسليم المرمك وهو بحالة شحن جزئية. اشحن المرمك في جهاز الشحن بشكل كامل قبل الاستعمال الأول لضمان قدرة المرمك الكاملة. يمكن شحن مرمك إيونات الليثيوم في أي وقت دون الحد من فترة صلاحيته. إن قطع عملية الشحن لا يسبب الأضرار بالمرمك.

لقد تم وقاية مرمك إيونات الليثيوم من التفريغ العميق بواسطة "واقية الخلايا الالكترونية (ECP/Electronic Cell Protection)". يتم إطفاء المرمك بواسطة مفتاح وقائي عند تفريغ المرمك: لن يعد يعمل جهاز الحديقة.

التركيب والتشغيل

هدف العمل	الصورة	الصفحة
نطاق التوريد ^(A)	A	33
تركيب العجلات	B	34
تركيب المقبض	C	35
ضبط ارتفاع العمل		
تجميع سلة جمع العشب	D	36
تركيب/فك سلة جمع العشب	E	36
ضبط ارتفاع القص	F	37
تركيب المرمك	G	37
تشغيل	H	38
- إضافة قاطع التيار الكهربائي		
- تشغيل الجهاز		
- قص		
- إطفاء الجهاز		
- إزالة قاطع التيار الكهربائي		
فك المرمك	I	39
ملاحظة العمل بخصوص الجز	J	39
صيانة السكينة/استبدال السكينة	K	40
اختيار التوايح	L	40

(A) لا يتضمن إطار التوريد الاعتيادي التوايح المصورة أو المشروحة. تجد التوايح الكاملة في برنامجنا للتوايح.

راجع فقرة البيانات الفنية. بمجرد الوصول إلى نطاق درجة الحرارة المسموح به، ينتقل جهاز الشحن أوتوماتيكياً إلى الشحن السريع.

عندما تقع درجة حرارة المرمك خارج مجال درجة حرارة الشحن المسموحة، فإن الضوء الأحمر بالمرمك يضيء عند تلقيه بجهاز الشحن.

عملية الشحن غير ممكنة

يشار إلى خلل آخر بعملية الشحن من خلال **المؤشر الواصل الأحمر**. لا يمكن البدء بعملية الشحن ولا يمكن شحن المرمك (راجع فقرة البحث عن الأخطاء).

ملاحظات عن الشحن

قد يحمي الشاحن عند دورات الشحن المستمرة أو المتكررة خلف بعضها البعض مرات متعددة. ولكن هذا الأمر لا يستدعي للقلق ولا يدل ذلك على خلل فني بالشاحن.

تدل فترة صلاحية قصيرة بعد الشحن إلى أن المرمك قد استهلك وأنه يتوجب استبداله. تراسى الملاحظات بصدد التخلّص من العدد.

تبريد المرمك (Active Air Cooling)

يقوم جهاز التحكم في المروحة المدمج في الشاحن بمراقبة درجة حرارة المرمك المركب. عندما تقع درجة حرارة المرمك فوق 30 درجة مئوية يتم تبريد المرمك بواسطة مروحة إلى درجة حرارة الشحن المثالية. يُصدر تشغيل المروحة صوت تهوية.

إذا توقفت المروحة فهذا يعني أن درجة حرارة المرمك في نطاق درجة حرارة الشحن المثالي أو أن المروحة معطلة. تزداد مدة شحن المرمك في هذه الحالة.

ملاحظات عمل

مبين حالة شحن المرمك

لقد تم تزويد المرمك بمؤشر لحالة الشحن وهو يشير إلى حالة شحن المرمك. يتألف مؤشر حالة الشحن من 3 مؤشرات مضيئة خضراء.

اضغط زر مؤشر حالة الشحن لتشغيل اشارة حالة الشحن. يطفأ مؤشر حالة الشحن بعد 5 ثانياً تقريبا من تلقاء نفسه.

يمكن فحص حالة الشحن أيضا بعد فك المرمك.

لا تتابع الضغط على مفتاح التشغيل والإطفاء بعد انطفاء الجهاز بشكل آلي. فقد يتعرض المرمك لأضرار.

تُراسى الملاحظات بصدد التخلّص من المرمك.

تركيب/خلع المرمك

ملحوظة: يمكن ان يؤدي استخدام المراكم الغير مناسبة إلى عمل الجهاز بشكل غير صحيح أو إلى تلف الجهاز.

ركب المرمك المشحون. احرص على تعاشق واستقرار المرمك بصورة تامة.

لفك المرمك عن الجهاز، اضغط زر الفك واسحب المرمك من مكانه.

عملية الشحن

تبدأ إجراءات الشحن فور وصل قابس الشاحن بالمقبس وبعد ذلك وضع المرمك في الشاحن. يتم كشف حالة شحن المرمك بشكل آلي من خلال إجراءات الشحن الذكية، ليتم شحنه بتيار الشحن الملائم اعتماداً على درجة حرارة وجهد المرمك.

يؤدي ذلك إلى صيانة المرمك، فيبقى مشحوناً بشكل كامل دائماً عند الاحتفاظ به في جهاز الشحن.

معنى عناصر الإشارة على الشاحن (AL) (3620 CV/AL 3640 CV/AL 36V-20)

عملية الشحن السريع

يشار إلى عملية الشحن السريع للمرمك من خلال **مؤشر واملض أخضر**.

عنصر الإشارة على المرمك: أثناء عملية الشحن تضيء المؤشرات المضيئة الخضراء الثلاثة تلو بعضها ثم تنطفئ لوهلة. يكون قد تم شحن المرمك بشكل كامل عندما تضيء المؤشرات المضيئة الخضراء الثلاثة بشكل مستمر. تعود وتنطفئ المؤشرات المضيئة الخضراء الثلاثة بعد شحن المرمك بشكل كامل بمدة 5 دقائق تقريباً.

ملحوظة: يمكن إجراء عملية الشحن السريع فقط عندما تقع درجة حرارة المرمك ضمن مجال درجة حرارة الشحن، راجع فقرة البيانات الفنية.

المرمك مشحون

يشير **الضوء المستمر بالمؤشر المضيء الأخضر** إلى أنه قد تم شحن المرمك بشكل كامل.

إضافة عن ذلك تطلق إشارة صوتية لمدة تبلغ حوالي ثانيتين، لتشير إلى أنه قد تم شحن المرمك بشكل كامل.

يمكن نزع المرمك إثر ذلك للاستخدام الفوري.

إن لم يكن قد تم تلقيه المرمك، فإن **الضوء المستمر** بالمؤشر المضيء يشير إلى أنه قد تم ربط قابس الشبكة الكهربائية بالمقبس وبأن الشاحن جاهز للتشغيل.

درجة حرارة المرمك تقل عن 0 درجة مئوية أو تزيد عن 45 درجة مئوية

تشير **الإضاءة المستمرة** بالمؤشر المضيء **الأحمر** إلى أن درجة حرارة المرمك خارج النطاق المسموح لدرجة حرارة الشحن،

مراقبة درجة حرارة النظام الإلكتروني بجهاز الحديقة

ينير مؤشر الضوء الأحمر باستمرار عند ضغط زر التشغيل/الإطفاء: تقل درجة حرارة النظام الإلكتروني بجهاز الحديقة عن 5 درجة مئوية أو تزيد عن 75 درجة مئوية.

يطفاً النظام الإلكتروني بجهاز الحديقة عندما تتجاوز درجة الحرارة 90 درجة مئوية، إلى أن يعود إلى مجال درجة حرارة التشغيل المسموحة.

قدرة القص (مدة عمل المرمك)

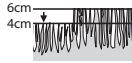
تتعلق قدرة القص (مدة عمل المرمك) بمواصفات العشب، مثلاً: كثافة العشب، الرطوبة، طول العشب وأيضاً ارتفاع القص.

كما يؤدي تكرار تشغيل وإطفاء جهاز الحديقة أثناء عملية قص العشب إلى تخفيض قدرة القص (مدة عمل المرمك).

للتوصل إلى قدرة القص (مدة عمل المرمك) المثالية، ينصح بالقص مرات متعددة، بتكبير ارتفاع القص وبالسير بسرعة ملائمة.

يوضح المثال التالي العلاقة بين ارتفاع القص وقدرة القص بالنسبة إلى ثلاثة مراكم.

شروط القص



عشب جاف ورقيق جداً

قدرة القص	مرمك
مرمك بقدرة 2,0 أمبير	إلى 250 متر مربع ساعة
مرمك بقدرة 4,0 أمبير	إلى 500 متر مربع ساعة
مرمك بقدرة 6,0 أمبير	إلى 750 متر مربع ساعة

يمكن شراء مرمك إضافي لدى مركز خدمة زبائن شركة بوش لأجهزة الحديقة من أجل زيادة مدة العمل.

المؤشر المضيء	سعة المرمك
ضوء مستمر، العدد 3 مؤشر أخضر	$2/3 \leq$
ضوء مستمر، العدد 2 مؤشر أخضر	$1/3 \leq$
ضوء مستمر، العدد 1 مؤشر أخضر	$1/3 \geq$
ضوء وإمض، العدد 1 مؤشر أخضر	احتياطي

إذا لم يضيء أي مؤشر مضيء بعد ضغط الزر فهذا يعني أن المرمك تالف ويجب تغييره.

يمكن استعراض حالة الشحن فقط عندما يكون جهاز الحديقة متوقفاً عن الحركة لأسباب متعلقة بالأمان. أثناء عملية الشحن تضيء المؤشرات المضيئة الخضراء الثلاثة تلو بعضها ثم تنطفئ لوهلة. يكون قد تم شحن المرمك بشكل كامل عندما تضيء المؤشرات المضيئة الخضراء الثلاثة بشكل مستمر. تعود وتنطفئ المؤشرات المضيئة الخضراء الثلاثة بعد شحن المرمك بشكل كامل بمدة 5 دقائق تقريباً.

مؤشر مراقبة درجة الحرارة للمرمك

يشير الضوء الأحمر بمؤشر مراقبة درجة الحرارة إلى أن المرمك أو النظام الإلكتروني بجهاز الحديقة (عند تليم المرمك) لا يقعان ضمن مجال درجة الحرارة المثالية. لا يعمل جهاز الحديقة في هذه الحالة أو قد لا يعمل بالقدرة الكاملة.

مراقبة درجة حرارة المرمك

يومض مؤشر الضوء الأحمر عند ضغط الزر أو زر التشغيل/الإطفاء (مع المرمك المركب): المرمك خارج النطاق المسموح به لدرجة حرارة التشغيل.

يطفاً المرمك عندما تتجاوز درجة الحرارة 70 درجة مئوية، إلى أن يعود إلى مجال درجة حرارة التشغيل المسموحة.

البحث عن الأخطاء



الخطأ	السبب المحتمل	العلاج
المحرك لا يشتغل	تلف الكوابل الداخلية بجهاز الحديقة المرمك فارغ	راجع مركز خدمة زبائن بوش اشحن المرمك
	المحرك ساخن/بارد جداً	اسمح للمرمك بأن يبرد/يسخن
	العشب شديد الارتفاع	ارتفاع الأعشاب الأقصى المسموح يبلغ 15 سم بواسطة ضبط ارتفاع القص الأعلى
	تم إطلاق واقية المحرك	اترك المحرك يبرد ثم اضبط ارتفاع قص أكبر
	قاطع التيار الكهربائي غير مركب بشكل صحيح/كامل	ركبه بالشكل الصحيح

الخطأ	السبب المحتمل	العلاج
جهاز الحديقة يعمل بشكل متقطع	تلف بالكوابل الداخلية بجهاز الحديقة	راجع مركز خدمة زبائن بوش
جهاز الحديقة لا يقص الأعشاب بشكل متساوٍ و/أو صعوبات أثناء العمل	تم إطلاق وافية المحرك	اترك المحرك يبرد ثم اضبط ارتفاع قص أكبر
	ارتفاع القص قليل جداً	اضبط ارتفاع قص أكبر
	السكينة كليلية	استبدل السكينة (انظر الصورة K)
	قد يكون هناك انسداد	اطفئ جهاز الحديقة وقم بمل قاطع التيار الكهربائي
		افحص الجانب السفلي بجهاز الحديقة وأخليه من البقايا عند الضرورة (ارتد قفازات حدائق دائماً)
	السكينة مركبة بالاتجاه الخاطئ	ركب السكينة بالاتجاه الصحيح
لا تدور السكينة بعد تشغيل جهاز الحديقة	الأعشاب تعيق حركة السكينة	اطفئ جهاز الحديقة وقم بمل قاطع التيار الكهربائي
		ازل الأعشاب المسببة للإعاقة (ارتد قفازات حدائق دائماً)
	صامولة/لولب السكينة منملة	أحكم شد صامولة/لولب السكينة (22 نيوتن متر)
اهتزازات/أصوات شديدة	صامولة/لولب السكينة منملة	أحكم شد صامولة/لولب السكينة (22 نيوتن متر)
	السكينة تالفة	استبدل السكينة (انظر الصورة K)

المركم وجهاز الشحن

الأخطاء	السبب المحتمل	العلاج
مؤشر شحن المركم الأحمر يومض على الشاشة	لم يتم تركيب المركم (بالشكل الصحيح)	قم بتركيب المركم في جهاز الشحن بالشكل الصحيح
عملية الشحن غير ممكنة	ملامسات المركم متسخة	نظف ملامسات المركم من خلال تلقيمه ونزعه عدة مرات مثلاً، استبدل المركم عند الضرورة
	المركم تالف	استبدل المركم
مؤشرات شحن المركم لا تضيء على الشاشة	قابس الشبكة الكهربائية بجهاز الشحن غير موصول (بشكل سليم)	اغرز قابس الشبكة الكهربائية بالمقبس بشكل (كامل)
	تلف بالمقبس، كابل الشبكة الكهربائية أو جهاز الشحن	تفحص جهد الشبكة الكهربائية، اطلب من مركز خدمة زبائن وكالة عدد بوش الكهربائية بتفحص جهاز الشحن عند الضرورة

الصيانة والخدمة

العناية بالمركم

- لا تترك المركم في جهاز الحديقة إن كان سيتعرض لأشعة الشمس المباشرة.
- تبلغ درجة الحرارة المثالية لخزن المركم 5 درجة مئوية.
- نظف شقوق التهوية بالمركم من فترة لآخرى بواسطة فرشاة طرية ونظيفة وجافة.
- تدل فترة صلاحية قصيرة بعد الشحن إلى أن المركم قد استهلك وأنه يتوجب استبداله.

- ⬅ **تنبيه! اطفئ جهاز الحديقة وحل قاطع التيار الكهربائي وانزع المركم وكيس جمع العشب قبل البدء بتنفيذ أعمال الصيانة أو التنظيف.**
- ⬅ **ارتد قفازات الحدائق دائماً، عند إجراء الأعمال أو التعديلات في مجال السكاكين.**

يرجى مراعاة الملاحظات والإجراءات التالية من أجل ضمان استخدام المركم بشكل مثالي:

- احم المركم من الرطوبة والماء.
- خزن جهاز الحديقة والمركم فقط في مجال الحرارة بين 20- درجة مئوية و50 درجة مئوية. مثلاً لا تترك المركم في السيارة في الصيف.
- قم بتخزين المركم لوحده وليس داخل جهاز الحديقة.

خدمة العملاء واستشارات الاستخدام

www.bosch-garden.com

يلزم ذكر رقم الصنف ذو الخانات العشر وفقاً للوحة صنع المنتج عند إرسال أية استفسارات أو طلبيات قطع غيار.

النقل

تخضع مراكم أيونات الليثيوم المركبة لأحكام قانون المواد الخطيرة. يمكن للمستخدم أن ينقلها على الشوارع العامة دون أي شروط إضافية. عندما يتم إرسالها عن طريق طرف آخر (شركة شحن أو نقل جوي مثلا) يتوجب مراعاة شروط خاصة بصدد التغليف والتعليق. ينبغي استشارة خبير بنقل المواد الخطيرة عند تحضير الطرد في هذه الحالة. استخدم المراكم فقط إن كان هيكلها سليم. الصق الملامسات المكشوفة وغلف المركم بحيث لا يتحرك في الطرد. يرجى مراعاة الأحكام الوطنية الإضافية إن وجدت.

التخلص من العدة الكهربائية

يجب التخلص من أجهزة الحديقة والمراكم والتوابع والتغليف بطريقة منصفة بالبيئة عن طريق التدوير. لا ترمز أجهزة الحديقة والمراكم/البطاريات ضمن النفايات المنزلية!



لدول الاتحاد الأوروبي فقط:

يجب أن يتم جمع الأجهزة الكهربائية والالكترونية الغير صالحة للاستعمال حسب التوجيه الأوروبي 2012/19 /EU، ويجب أن يتم جمع المراكم/البطاريات التالفة أو المستهلكة على انفراد حسب التوجيه الأوروبي EC/2006/66، ليتم التخلص منها بطريقة منصفة بالبيئة عن طريق التدوير.

المراكم/البطاريات:

أيونات الليثيوم:

يرجى مراعاة الإرشادات الواردة في جزء تعليمات النقل.

فارسی

دستورات ایمنی

توجه! همه دستورات ایمنی را به دقت بخوانید. خود را با قسمتهای کاربری و نحوه استفاده از ابزار باغبانی آشنا کنید. لطفا دفترچه راهنما را برای آینده خوب نگهداری کنید.

توضیح علائم روی ابزار باغبانی

هشدارهای عمومی.



دفترچه ی راهنما را تا انتها بخوانید.



دقت کنید که افراد نزدیک شما با اجسام به هوا پرت شده زخمی



نشوند.

هشدار: هنگام کار ابزار با باغبانی، فاصله ایمنی را رعایت کنید.



احتیاط: به تیغه های در حال حرکت دست نزنید. تیغه ها تیز هستند. جهت محافظت از انگشتان پا و دست خود احتیاط کنید.



قبل از تمیز کردن یا سرویس و یا در صورتی که ابزار باغبانی را حتی برای مدتی کوتاه بدون نظارت رها می کنید، آن را از جریان برق قطع کنید.



مربوط نمی شود.



قبل از تماس با قسمتهای ابزار باغبانی، بگذارید به طور کامل بایستند. تیغه ها پس از خاموش شدن برای مدتی در حرکت می مانند و می توانند باعث ایجاد جراحات شوند.



ابزار باغبانی را در برابر باران حفظ کنید یا زیر باران رها نکنید.



خود را در برابر شوک الکتریکی مصون بدانید.



مربوط نمی شود.



دستگاه شارژ را در مکانهای خشک بکار برید.



شارژر به یک ترانس ایمنی مجهز می باشد.



جهت تمیز کردن ابزار باغبانی از شوینده فشار قوی یا شلنگ استفاده نکنید.



محیط کار ابزار باغبانی را از لحاظ وجود حیوانات وحشی و اهلی به دقت



کنترل کنید. حیوانات وحشی و اهلی ممکن است هنگام کار با دستگاه زخمی شوند. محیط کار دستگاه را خوب کنترل و آن را از نظر وجود سنگ، تکه چوب، استخوان و سایر اجسام خارجی خالی کنید. دقت کنید که هنگام کار با دستگاه، هیچ حیوان وحشی یا اهلی یا ساقه درخت در علف انبوه پنهان نباشد.

کاربری

- ◀ هرگز به کودکان یا سایر افراد نا آشنا اجازه استفاده از محصول را ندهید. مقررات مربوط به هر کشور می توانند سن کاربر را محدود کنند. چنانچه از محصول استفاده نمی کنید، آن دور از دسترس کودکان نگهدارید.
- ◀ هرگز به کودکان و سایر افراد دارای کاستیهای روحی و جسمی یا بدون تجربه یا آشنایی یا به اشخاص بدون اطلاع از روش کاربری اجازه استفاده از محصول را ندهید. مقررات مربوط به هر کشور می توانند سن کاربر را محدود کنند.
- ◀ کودکان باید زیر نظر باشند تا اطمینان حاصل شود که آنها با محصول بازی نمی کنند.
- ◀ هرگز از ابزار باغبانی در صورت بودن اشخاص بخصوص کودکان یا حیوانات در نزدیکی شما استفاده نکنید.
- ◀ کاربر در برابر حوادث یا خسارات روی اشخاص یا املاک مسؤول می باشد.
- ◀ هنگام کاربرد محصول، کفشهای سر باز یا صندل نپوشید. کفش کار محکم و یک شلوار بلند بپوشید. هرگز با پای برهنه از محصول استفاده نکنید.
- ◀ سطوح مورد کار را به دقت بررسی کنید و همه سنگها، تکه ها، سیمها، استخوانها و سایر اجسام متفرقه را جدا کنید.
- ◀ قبل از استفاده همیشه کنترل کنید که تیغه، پیچهای تیغه و سایر قسمت های بخش برش کهنه یا آسیب دیده نباشند. جهت جلوگیری از بر هم خوردن بالانس، تیغه ها یا پیچهای تیغه فرسوده را به طور کامل عوض کنید.
- ◀ فقط در روز روشن یا زیر نور مناسب چراغ، کار کنید.
- ◀ در صورت بد بودن هوا بخصوص هنگام رعد و برق با ماشین چمن زن کار نکنید.
- ◀ ابزار باغبانی را حتی الامکان در چمن مرطوب بکار نبرید.
- ◀ همواره آرام برانید، هرگز تند حرکت نکنید.
- ◀ ابزار باغبانی را هرگز با تجهیزات محافظ آسیب دیده، سرپوش یا تجهیزات ایمنی مانند محافظ پرتاب و/یا سطل جمع آوری علف بکار نگیرید.
- ◀ توصیه می کنیم که علاوه بر ایمنی شخصی از گوشی ایمنی نیز استفاده کنید.
- ◀ اگر خسته یا بیمار هستید یا تحت تأثیر مواد مخدر، دارو یا الکل قرار دارید، از محصول استفاده نکنید.
- ◀ کار در بوته ها می تواند خطرناک باشد:
- سرایشی های با زاویه زیاد را چمن زنی نکنید.
- هنگام کار روی سطوح کج یا چمن مرطوب مطمئن گام بردارید.
- روی سطوح کج همواره به

◀ **دستگاه را دستکاری نکنید.**
تغییرات غیر مجاز ممکن است ایمنی دستگاه شما را مختل و بازده را کم یا ایجاد سر و صدای شدید یا لرزش کنند.

قطع کننده جریان برق را فعال کنید:

- وقتی که خود را از ابزار باغبانی جدا می کنید.
- قبل از رفع گیر یا بلوکه ها،
- هنگام کنترل ابزار باغبانی، تمیز یا روی آن کار کردن.
- پس از برخورد با یک جسم خارجی، ابزار باغبانی را سریع از لحاظ آسیب دیدگی کنترل کنید و تیغه را در صورت نیاز تعویض نمایید.
- چنانچه ابزار باغبانی به طور غیر عادی شروع به لرزیدن کرد (فورا کنترل کنید).

سرویس و مراقبت

◀ **در صورت کار در محدوده تیغه تیز، همواره از دستکش باغبانی استفاده کنید.**

◀ از محکم بودن مهره ها، پین ها و پیچها مطمئن شوید تا وضعیت کار ایمنی برای محصول تضمین گردد.

◀ مرتب سطل جمع آوری چمن را از نظر فرسودگی و شکل کنترل کنید.

◀ محصول را کنترل کنید و قسمت‌های فرسوده یا آسیب دیده را جهت اطمینان تعویض کنید.

صورت مورب چمن زنی کنید و نه به صورت بالا و پایین.

- هنگام تغییر جهت در سرایشی ها کاملا احتیاط کنید.

◀ هنگام حرکت به عقب یا کشیدن ابزار باغبانی کاملا احتیاط کنید.

◀ هنگام چمن زنی ابزار باغبانی را همیشه به جلو برانید و هیچگاه آن را به طرف بدن خود نکشید.

◀ تیغه ها بایستی رو به بالا باشند، هنگامی که ابزار باغبانی را جهت

حمل و بر می گردانید، وقتی که از روی سطوح پوشیده بدون علف رد می شوید و هنگامی که ابزار باغبانی را از یا به جایی جهت چمن زنی حمل می کنید.

◀ هنگام روشن کردن یا روشن ماندن موتور، ابزار باغبانی را واژگون نکنید.

◀ ابزار باغبانی را مطابق دستورات دفترچه راهنما روشن کنید و دقت کنید که پاهای شما به اندازه کافی از بخشهای در حال چرخش دور باشند.

◀ دستها و پاهای خود را در نزدیکی یا زیر بخشهای در حال چرخش نبرید.

◀ هنگام کار با ابزار باغبانی از محدوده پرتاب چمن فاصله بگیرید.

◀ ابزار باغبانی را هرگز با موتور روشن بلند یا حمل نکنید.

◀ دقت کنید که هنگام نگهداری در انبار، ابزار باغبانی با هر 4 چرخ روز زمین قرار گیرد.

◀ ابزار باغبانی را تنها از دسته بلند کنید. دسته را با احتیاط بگیرید.

- ◀ ابزار باغبانی را شارژ کنید و باتری را در محدوده بین 20°C تا 50°C نگهداری کنید. باتری را در تابستان در ماشین نگذارید.
- ◀ گاه بگانه شیارهای تهویه باتری را بوسیله یک قلم موی یا برس کوچک نرم و خشک تمیز کنید.

دستورات ایمنی برای دستگاههای شارژ

همه دستورات ایمنی و راهنمایی ها را بخوانید. اشتباهات ناشی از عدم رعایت این دستورات ایمنی ممکن است باعث برق گرفتگی، سوختگی و یا سایر جراحات های شدید شود.



همه دستورات و راهنمایی ها را برای آینده خوب نگهداری کنید.

لطفاً دستگاه شارژ را زمانی بکار گیرید که از کلیه لزومات عملکرد آن بخوبی واقف باشید و کاملاً بتوانید با دستگاه کار کنید و همچنین راهنمایی های لازم را دریافت کرده باشید.

- ◀ هرگز به کودکان و سایر افراد دارای کاستیهای روحی و جسمی یا بدون تجربه یا آشنایی یا به اشخاص بدون اطلاع از روش کاربری اجازه استفاده از دستگاه شارژ را ندهید. مقررات مربوط به هر کشور می توانند سن کاربر را محدود کنند.

مراقب کودکان باشید.

- ◀ اینگونه اطمینان حاصل می کنید که کودکان با دستگاه شارژ بازی نمی کنند.

- ◀ تنها باتریهای لیتیوم-یونی از ظرفیت **Ah 2,0** (از **10** باتری ساعتی) شارژ کنید. ولتاژ باتری بایستی با ولتاژ شارژر باتری مطابقت داشته باشد. از شارژ کردن باتری های غیر قابل شارژ خودداری کنید. در غیر اینصورت خطر آتش سوزی یا انفجار وجود دارد.

دستگاه شارژ باتری را در برابر باران و رطوبت محفوظ بدارید. نفوذ آب به داخل دستگاه شارژ، خطر برق گرفتگی را افزایش میدهد.



- ◀ فقط از تیغه های در نظر گرفته شده برای ابزار باغبانی استفاده کنید.

- ◀ مطمئن شوید که قطعات تعویضی از شرکت بوش باشند.
- ◀ قبل از نگهداری در انبار از تمیز بودن و خالی بودن محصول اطمینان حاصل کنید. در صورت امکان با یک برس خشک و نرم تمیز کنید.

راهنمایی ها برای کار بهینه با باتری شارژی

- ◀ قبل از جاگذاری باتری از خاموش بودن ابزار باغبانی و فیوز مربوط مطمئن شوید. فرار دادن باتری در ابزار باغبانی روشن ممکن است باعث بروز حادثه شود.

- ◀ تنها از باتریهای در نظر گرفته شده برای این ابزار باغبانی استفاده کنید. کاربرد سایر باتریها می تواند باعث بروز جراحات یا خطر آتش سوزی گردد.

- ◀ باتری را باز نکنید. خطر اتصال کوتاه وجود دارد. باتری شارژی را در برابر گرما (مانند تابش مستقیم نور خورشید)، رطوبت، آتش، آب محفوظ بدارید. خطر انفجار وجود دارد.



- ◀ باتری شارژی را از نزدیکی با گیره های دفتری، سکه، کلید، میخ، پیچ یا سایر اشیاء فلزی که باعث اتصال دو قطب می شوند، دور نگهدارید. یک اتصال بین قطبهای باتری شارژی می تواند باعث بروز آتش سوزی شود.

- ◀ در صورت استفاده غیر معمول یا آسیب دیدگی باتری شارژی ممکن است بخار خارج گردد. هوا را تازه کنید و در صورت بروز ناراحتی به پزشک مراجعه کنید. این بخارها می توانند مجاری تنفسی را تحریک کنند.

- ◀ تنها از باتری برای محصولات تولیدی شرکت استفاده کنید. فقط در اینصورت باتری در برابر خطر اعمال فشار بیش از حد محافظت میشود.

- ◀ بوسیله ی اشیاء تیز مانند میخ یا پیچگوشنی یا تأثیر نیروی خارجی ممکن است باتری آسیب ببیند. ممکن است اتصال داخلی رخ دهد و باتری آتش گیرد، دود کند، منفجر شود یا بیش از حد داغ گردد.

- ◀ از اتصال کوتاه باتری خودداری کنید. خطر انفجار وجود دارد.

- ◀ باتری شارژی را در برابر رطوبت و تابش مستقیم نور خورشید محفوظ بدارید.

معنی	علامت
مسیر یا جهت عکس العمل	
از دستکش ایمنی استفاده کنید	
وزن	
نمونه روشن کردن	
نمونه خاموش کردن	
کاربری مجاز	
عملکرد ممنوع و غیر مجاز	
سر و صدای قابل شنیدن	CLICK!
متعلقات/قطععات یدکی	


موارد استفاده از دستگاه

ابزار باغبانی جهت چمن زنی در محیط شخصی در نظر گرفته شده است.
 ابزار باغبانی جهت بریدن شمشاد، کوتاه کردن، خرد کردن و غیره در نظر گرفته نشده است.
 ابزار باغبانی جهت چمن زنی روی زمین در نظر گرفته نشده است.

- ◀ دستگاه شارژر را تمیز نگهدارید. آلودگی می تواند خطر ایجاد شوک الکتریکی داشته باشد.
- ◀ قبل از هر بار استفاده، دستگاه شارژر، کابل و دوشاخه را کنترل کنید. در صورت تشخیص هر گونه آسیب دیدگی، از دستگاه شارژر استفاده نکنید دستگاه شارژر را سر خود باز نکنید و برای تعمیر دستگاه فقط به متخصصین حرفه ای رجوع و از وسائل یدکی اصل استفاده کنید. دستگاه شارژر، دوشاخه و کابل های آسیب دیده، خطر برق گرفتگی را افزایش میدهند.
- ◀ دستگاه شارژر را در سطح قابل اشتعال (مثلا روی کاغذ، پارچه و غیره) یا در محیط با قابلیت آتشسوزی بکار نبرید. به دلیل ایجاد گرمای حاصل از کار دستگاه، خطر بروز آتشسوزی وجود دارد.
- ◀ شیار تهویه ی دستگاه شارژر را نبوشانید. دستگاه شارژر ممکن است در غیر اینصورت درست کار نکند.
- ◀ برای افزایش ایمنی الکتریکی توصیه می شود از یک کلید نشست و خطا با حداکثر آمپراژ فعال 30 میلی آمپر استفاده کنید. کلید نشست و خطا را قبل از کاربری کنترل کنید.

علامت ها

علامتهای ذیل برای استفاده از چاروبرقی مهم می باشند. لطفا این علائم و معانی آنها را به خاطر بسپارید. فهم درست این علائم به شما جهت استفاده ی درست و ایمن از محصول کمک می کند.

معنی	علامت
مسیر یا جهت حرکت	

مشخصات فنی

EasyRotak 36-550		ماشین چمن زن	
3600 HB9 B..		شماره فنی	
36	V	ولتاژ نامی	
38	cm	عرض قاب تیغه	
70 - 25	میلیمتر	ارتفاع برش	
40	l	حجم، سطل جمع آوری چمن	
15,00	kg	وزن مطابق استاندارد ^{A)} EPTA-Procedure 01:2014	
رجوع کنید به برچسب روی ابزار باغبانی		شماره فنی/شماره سری	
0 ... +35	°C	دمای توصیه شده محیط هنگام شارژ	
-20 ... +50	°C	دمای مجاز محیط هنگام کار ^{B)} و هنگام انبار کردن	
لیتیوم - یونی		باتری شارژی	
36	V	ولتاژ نامی	
		شماره فنی/حجم	
2.0	Ah	2 607 336 913 / - 1 607 A35 02V	

EasyRotak 36-550		ماشین چمن زن
4.0	Ah	2 607 336 915 / - 2 607 337 047
6.0	Ah	1 607 A35 058 -
تعداد باتری ساعتی		
10		2 607 336 913 / - 1 607 A35 02V
20		2 607 336 915 / - 2 607 337 047
20		1 607 A35 058 -

(A) بسته به نوع باتری کاربردی

(B) توان محدود برای دمای °C < 0

تمام مقادیر موجود در این دفترچه برای کاربری برابر یا کمتر از 2000 متر بالاتر از سطح دریا اندازه گیری شده اند.

AL 36V-20	AL 3620 CV	دستگاه شارژر باتری	
2 607 226 273	2 607 225 657	اروپا	شماره فنی
2 607 226 275	2 607 225 659	انگلیس	
2 607 226 277	2 607 225 661	اتریش	
2 607 226 797	2 607 225 667	گره	
2.0	2.0	A	جریان شارژر
زمان شارژر (باتریها خالی هستند)			
65	65	دقیقه	- باتری یا 2,0 Ah
125	125	دقیقه	- باتری یا 4,0 Ah
185	185	دقیقه	- باتری یا 6,0 Ah
0.55	0.55	kg	وزن مطابق استاندارد EPTA-Procedure 01:2014
II/□	II/□		کلاس ایمنی

نوع عملکرد	تصویر	صفحه
نحوه انتخاب متعلقات	L	40

(A) کلیه متعلقاتی که در تصویر و یا در متن آمده است، بطور معمول همراه دستگاه ارائه نمی شود. لطفاً لیست کامل متعلقات را از فهرست برنامه متعلقات اقتباس نمایید.

نحوه کاربرد دستگاه

برای ایمنی شما

- ◀ توجه! ابزار باغبانی را خاموش کنید، قطع کننده جریان برق را رها کنید و قبل از انجام سرویس و تمیز کردن، باتری را درآورید.
- همین کار را در صورت بریدگی، آسیب دیدگی یا کلافه شدن کابل دستگاه انجام دهید.
- ◀ پس از خاموش شدن ابزار باغبانی، تیغه آن چند ثانیه در حرکت می ماند.
- ◀ احتیاط: به تیغه در حال چرخش دست نزنید.

نحوه شارژ کردن باتری

باتری شارژی مجهز به سیستم کنترل کننده دما است که شارژر بین 0 °C و 35 °C را ممکن می سازد. به این ترتیب طول عمر باتری افزایش می یابد.

نحوه نصب و کاربرد

نوع عملکرد	تصویر	صفحه
ممتویات ارسالی ^(A)	A	33
نصب چرخها	B	34
نصب قلاب دستگیره	C	35
تنظیم ارتفاع کار		
سر هم کردن سطل جمع آوری چمن	D	36
برداشتن/نصب سطل جمع آوری چمن	E	36
تنظیم ارتفاع برش	F	37
جاگذاری باتری	G	37
کاربرد	H	38
- از فیوز مربوط استفاده کنید		
- روشن کنید		
- چمن زنی		
- خاموش کنید		
- فیوز مربوط را بردارید		
برداشتن باتری	I	39
تذکر برای «چمن زدن»	J	39
مراقبت از تیغه/تعویض تیغه	K	40

باتری شارژ شده است

روشن شدن مداوم چراغ سبز رنگ نمایشگر شارژ باتری، نشان می دهد که باتری بطور کامل شارژ شده است.



علاوه بر این برای مدت 2 ثانیه یک سیگنال صوتی شنیده می شود که شارژ شدن کامل باتری را با صدا نشان می دهد.

پس از آن میتوان باتری را برداشت و بلافاصله مورد استفاده قرار داد.

در صورت عدم قرار داشتن باتری در داخل محفظه، روشن شدن مداوم چراغ نمایشگر شارژ باتری، نشان می دهد که دوشاخه اتصال دستگاه شارژ در داخل پریز برق قرار دارد و دستگاه شارژ آماده برای کار است.

دمای باتری زیر 0 یا بالای 45°C

چراغ ممتد قرمز ال ای دی نشانگر قرار داشتن خارج از محدوده ی دمای مجاز باتری است، رجوع کنید به بخش



„مشخصات فنی“. به محض رسیدن به محدوده ی دمای مجاز، دستگاه شارژ به طور خودکار به حالت فرآیند شارژ سریع تغییر می کند.

چنانچه دمای باتری خارج از محدوده دمای مجاز شارژ باشد، پس از قرار دادن در شارژر، چراغ قرمز ال ای دی باتری روشن می شود.

فرآیند شارژ ممکن انجام نمی شود

در صورت بروز اختلالی دیگر در فرآیند شارژ توسط چشمک زدن نمایشگر قرمز رنگ مشخص می شود.



فرآیند شارژ شروع نمی شود و شارژ شدن باتری ممکن نیست (رجوع کنید به بخش „مستجوی خطا“).

راهنمایی جهت شارژ کردن

چنانچه چندین بار بطور مداوم و بدون وقفه فرآیند شارژ انجام بگیرد، امکان گرم شدن دستگاه شارژ وجود دارد. این موجب نگرانی نیست و به معنی وجود عیب فنی در دستگاه شارژ نمی باشد.

مدت زمان کارایی بسیار کوتاه پس از شارژ، نشاندهنده فرسوده بودن باتری شارژی است و بایستی تعویض شود.

به نکات مربوط به نحوه از رده خارج کردن باتری توجه کنید.

خنک کردن باتری (Active Air Cooling)

کنترل کننده ی تهویه ی نصب شده در دستگاه شارژ، بر دمای باتریهای قرار داده شده نظارت می کند.

چنانچه دمای باتری بالاتر از 30°C باشد، باتری با یک فن جهت رسیدن به دمای بهینه شارژ خنک می شود. تهویه ی روشن شده صدای پنکه تولید می کند.

در صورت عدم کارکرد تهویه، دمای باتری در محدوده ی بهینه ی شارژ قرار دارد یا تهویه خراب است. در اینصورت مدت زمان شارژ باتری طولانی تر میشود.

تذکر: باتری دستگاه با شارژ اولیه ارسال می شود. برای دست یافتن به توان کامل باتری، بایستی باتری را پیش از اولین بار استفاده، در دستگاه شارژ بطور کامل شارژ کنید.

باتریهای لیتیوم-یونی را می توان همیشه شارژ کرد، بدون اینکه از طول عمر آنها کاسته شود. قطع شارژ باتری به آن آسیبی وارد نمی کند.

باتری لیتیوم-یونی از طریق „Electronic Cell (Protection) (ECP)“ در مقابل خالی شدن کامل محافظت می شود. در صورت خالی بودن باتری، محصول بوسیله کلید حفاظتی خاموش می شود؛ ابزار باغبانی دیگر کار نمی کند.

پس از خاموش شدن خودکار دستگاه، دوباره روی کلید خاموش/روشن فشار نیاورید. امکان آسیب دیدن باتری وجود دارد.

به نکات مربوط به نحوه از رده خارج کردن باتری توجه کنید.

قرار دادن/برداشتن باتری

تذکر: در صورت استفاده از باتری های نامناسب، امکان بروز اختلال در عملکرد یا آسیب دیدگی دستگاه وجود دارد.

باتری شارژ شده را قرار دهید. مطمئن شوید که باتری کاملاً جا افتاده است.

برای برداشتن باتری از دستگاه، دکمه آزاد کننده قفل باتری را فشار دهید و باتری را بیرون بکشید.

فرآیند بشارژ

به محض اتصال دوشاخه دستگاه شارژ در پریز و فیض شارژر و باتری در دستگاه شارژ شروع می شود.

توسط فرآیند هوشمند شارژ، وضعیت شارژ به طور خودکار تشخیص داده می شود و بر حسب دمای باتری و ولتاژ، جریان شارژ بهینه انتخاب می شود. با این روش طول عمر باتری افزایش یافته و به هنگام نگهداری آن در داخل دستگاه شارژ همواره بطور کامل، شارژ باقی میماند.

معنی نمادهای نمایش داده شده روی دستگاه شارژ (AL 3620 CV/AL 3640 CV/AL 36V-20)

فرآیند شارژ سریع

فرآیند شارژ سریع توسط چشمک زدن نمایشگر سبز شارژ باتری قابل شناسایی است.



قسمتهای قابل نمایش برای باتری: در طول فرآیند شارژ هر سه چراغ ال ای دی سبز به طور پیاپی روشن و پس از مدت کوتاهی خاموش می شوند. چنانچه هر سه چراغ ال ای دی سبز به طور ممتد روشن شوند، باتر شارژ شده است. 5 دقیقه پس از شارژ شدن کامل باتری، هر سه چراغ ال ای دی سبز دوباره خاموش می شوند.

تذکر: فرآیند شارژ سریع تنها در صورت بودن باتریها در محدوده دمای مجاز شارژ ممکن است، رجوع کنید به „مشخصات فنی“.

راهنمایی های عملی

نشانه‌گر وضعیت شارژ باتری

باتری به یک نمایشگر وضعیت شارژ باتری مجهز است که وضعیت شارژ باتری ها را نشان می دهد. نمایشگر وضعیت شارژ باتری دارای 3 چراغ سبز ال ای دی است.

دکمه نمایشگر وضعیت شارژ باتری را جهت فعال کردن آن فشار دهید. پس از 5 ثانیه نمایشگر وضعیت شارژ باتری خود به خود خاموش می شود. وضعیت شارژ باتری را می توان پس از برداشتن باتری هم کنترل کرد.

چراغ نشانگر LED	ظرفیت باتری
چراغ ال ای دی ممتد سبز $\leq 2/3$	
3 چراغ ال ای دی ممتد سبز $\leq 1/3$	
1 چراغ ال ای دی ممتد سبز $\geq 1/3$	
1 چراغ ال ای دی چشمک زنی سبز	ذخیره

چنانچه پس از فشار دادن دکمه هیچ چراغ ال ای دی روشن نشد، باتری خراب است و باید تعویض شود.

به دلایل ایمنی نمایش وضعیت شارژ باتری تنها در صورت متوقف بودن ابزار باغبانی ممکن است.

در طول فرآیند شارژ هر سه چراغ ال ای دی سبز به طور پیاپی روشن و پس از مدت کوتاهی خاموش می شوند. چنانچه هر سه چراغ ال ای دی سبز به طور ممتد روشن شوند، باتر شارژ شده است. 5 دقیقه پس از شارژ شدن کامل باتری، هر سه چراغ ال ای دی سبز دوباره خاموش می شوند.

نمایشگر باتری های برای کنترل دما

نمایشگر چراغ قرمز برای کنترل دما نشاندهنده این است که باتری یا الکترونیک ابزار باغبانی (در صورت قرار داشتن باتری) در محدوده دمای بهینه قرار ندارد. در این مورد ابزار باغبانی کار نمی کند یا توانش کم است.

کنترل دمای باتری

ال ای دی قرمز هنگام فشردن دکمه قطع و وصل (در صورت قرار داشتن باتری) چشمک می زند: باتری خارج از محدوده دمای کاری مجاز است. در صورت وجود دمای بیش از 70° باتری از مدار خارج می شود تا دوباره به محدوده دمای مجاز کاری برسد.

کنترل دمای الکترونیک ابزار باغبانی

ال ای دی قرمز هنگام فشردن کلید قطع و وصل به طور ممتد روشن است: دمای الکترونیک ابزار باغبانی کمتر از 5° C یا بیشتر از 75° C است. در صورت وجود دمای بیش از 90° C الکترونیک ابزار باغبانی از مدار خارج می شود تا دوباره به محدوده دمای مجاز کاری برسد.

توان برش (مدت کارکرد باتری)

توان برش (مدت کارکرد باتری) به مشخصات چمن یعنی تراکم، رطوبت، اندازه و ارتفاع چمن بستگی دارد.

خاموش روشن کردن مکرر ابزار باغبانی هنگام چمن زنی توان برش (مدت کارکرد باتری) را کاهش می دهد.

جهت بهینه سازی توان برش (مدت کارکرد باتری) توصیه می شود، به دفعات چمن زنی کنید، ارتفاع برش را بیشتر نمایید و با سرعت مناسب حرکت کنید. مثال زیر رابطه بین ارتفاع برش و توان برش را با توجه به باتری نشان می دهد.

شرایط برش

چمن بسیار نازک و خشک



توان برش	باتری
تا 250 m ²	Ah 2,0
تا 500 m ²	Ah 4,0
تا 750 m ²	Ah 6,0

برای افزایش مدت کارکرد می توان یک باتری اضافی را از یکی از نمایندگی های مجاز Bosch خریداری کرد

جستجوی خطا



ایراد	دلیل ممکن	راهنمایی
موتور راه نمی افتد	اتصال درونی کابل های ابزار باغبانی معیوب است	به نمایندگی بوش مراجعه کنید
	باتری خالی است	باتری را شارژ کنید
	باتری خیلی سرد/خیلی داغ است	بگذارید باتری گرم/خنک شود
	چمن خیلی بلند است	بیشترین ارتفاع مجاز چمن با حداکثر تنظیم ارتفاع برش برابر است با 15 سانتیمتر

ایراد	دلیل ممکن	راهنمایی
	مفاظ موتور فعال شده است	بگذارید موتور خنک شود و ارتفاع برش بیشتری را تنظیم کنید
	قطع کننده جریان برق نادرست/ناقص نصب شده است	درست نصب کنید
ابزار باغبانی با توقف کار می کند	اتصال درونی کابل‌های ابزار باغبانی معیوب است	به نمایندگی بوش مراجعه کنید
	مفاظ موتور فعال شده است	بگذارید موتور خنک شود و ارتفاع برش بیشتری را تنظیم کنید
ابزار باغبانی تصویر برش منظمی بدست نمی دهد و/یا موتور سخت کار می کند	ارتفاع برش کم است تیغه کند است	ارتفاع برش بیشتری را تنظیم کنید تیغه را تعویض کنید (رجوع کنید به تصویر K)
	امکان گرفتگی	ابزار باغبانی را خاموش و فیوز مربوط را قطع کنید
		قسمت پایین ابزار باغبانی را کنترل و در صورت نیاز خالی کنید (همواره از دستکش باغبانی استفاده کنید)
	تیغه از طرف اشتباه نصب شده است	تیغه را از طرف صحیح نصب کنید
پس از روشن کردن ابزار باغبانی تیغه نمی چرخد	تیغه توسط چمن، گیر کرده است	ابزار باغبانی را خاموش و فیوز مربوط را قطع کنید
		گرفتگی را برطرف کنید (همواره از دستکش باغبانی استفاده کنید)
	مهره تیغه/پیچ تیغه شل است	مهره تیغه/پیچ تیغه را سفت کنید (22) y
لرزش شدید/سر و صدا	مهره تیغه/پیچ تیغه شل است	مهره تیغه/پیچ تیغه را سفت کنید (22) y
	تیغه آسیب دیده است	تیغه را تعویض کنید (رجوع کنید به تصویر K)

باتری و دستگاه شارژ

ایرادها	دلیل ممکن	راهنمایی
نمایشگر شارژ باتری قرمز روی دستگاه شارژ چشمک می زند فرآیند شارژ ممکن انجام نمی شود	باتری (درست) قرار نگرفته است	باتری را درست روی دستگاه شارژ قرار دهید
	کنتاکت های باتری آلوده شده اند	اتصالات باتری را تمیز کنید؛ مثلاً با درآوردن و جازدن پیچی، در صورت نیاز باتری را عوض کنید
	باتری قابل استفاده نمیباشد	باتری را تعویض نمایید
نمایشگرهای شارژ باتری روی دستگاه شارژ دیده نمی شوند	دو شاخه اتصال دستگاه شارژ یا به جریان برق متصل نیست و یا اینکه (به درستی) متصل نیست	دو شاخه اتصال به جریان برق را (بطور کامل) در داخل پریز برق فشار بدهید
	دو شاخه اتصال، کابل برق و یا دستگاه شارژ ایراد دارد	ولتاژ شبکه را کنترل نمایید، دستگاه شارژ در صورت لزوم از طرف یک شرکت مجازی که خدمات پس از فروش برای ابزارآلات برقی شرکت بوش را ارائه میدهد کنترل شود

مراقبت و سرویس

مراقبت از باتری

- سرویس و تمیز کردن، باتری و نیز سطل جمع آوری چمن را درآورید.
- ◀ در صورت کار در محدوده تیغه تیز، همواره از دستکش باغبانی استفاده کنید.
- جهت تضمین استفاده بهینه از باتری به راهنماییهای زیر توجه کنید:

- ◀ توجه! ابزار باغبانی را خاموش کنید، قطع کننده جریان برق را رها کنید و قبل از انجام

فقط برای کشورهای عضو اتحادیه اروپا:

دستگاههای کهنه و غیر قابل استفاده الکتریکی طبق آئین نامه و دستورالعمل اروپایی EU/2012/19 و باتریهای خراب یا فرسوده براساس آیین نامه ی اروپایی EG/2006/66 با پستی جداگانه و متناسب با محیط زیست جمع آوری شوند.

باتری های قلمی/شارژی:

لیتیوم یونی:

لطفاً به راهنماییهای در بخش حمل و نقل توجه نمایید.

- باتری شارژی را در برابر رطوبت و تابش مستقیم نور خورشید محفوظ بدارید.
- ابزار باغبانی را شارژ کنید و باتری را در محدوده بین 20°C تا 50°C نگهداری کنید. باتری را در تابستان در ماشین نگذارید.
- باتری را به صورت مجزا و نه در ابزار باغبانی نگهداری کنید.
- باتری را زیر تابش مستقیم نور خورشید در ابزار باغبانی قرار ندهید.
- دمای بهینه جهت نگهداری باتری 5°C است.
- گاه بگاه شیارهای تهویه باتری را بوسیله یک قلم موی یا برس کوچک نرم و خشک تمیز کنید.
- مدت زمان کارایی بسیار کوتاه پس از شارژ، نشانهنده فرسوده بودن باتری شارژی است و بایستی تعویض شود.

خدمات و مشاوره با مشتریان

www.bosch-garden.com

برای هرگونه سؤال و یا سفارش ابزار یدکی و متعلقات، حتماً شماره فنی ده رقمی کالا را مطابق برچسب روی ابزار برقی اطلاع دهید.

ایران

روبرت بوش ایران - شرکت بوش تجارت پارس
میدان ونک، خیابان شهید خدامی، خیابان آفتاب
ساختمان مادیران، شماره 3، طبقه سوم.

تهران 194834571

تلفن: 42039000+ 9821

حمل و نقل

باتریهای لیتیوم-یونی تابع مقررات حمل کالاهای پر خطر می باشند. کاربر می تواند باتریها را بدون استفاده از روکش در خیابان حمل کند.
در صورت ارسال توسط شخص ثالث (مانند: حمل و نقل هوایی یا زمینی) باید تمهیدات مربوط به بسته بندی و علامتگذاری مورد توجه قرار گیرد. در اینصورت باید حتماً جهت آماده سازی قطعه ارسالی به کارشناس حمل کالاهای پر خطر مراجعه کرد.
باتریهای شارژی را فقط در صورتی ارسال کنید که بدنه آنها آسیب ندیده باشد. کنتاکتهای باز را بپوشانید و باتری را طوری بسته بندی کنید که در بسته بندی تکان نخورد. در این باره لطفاً به مقررات و آیین نامه های ملی توجه کنید.

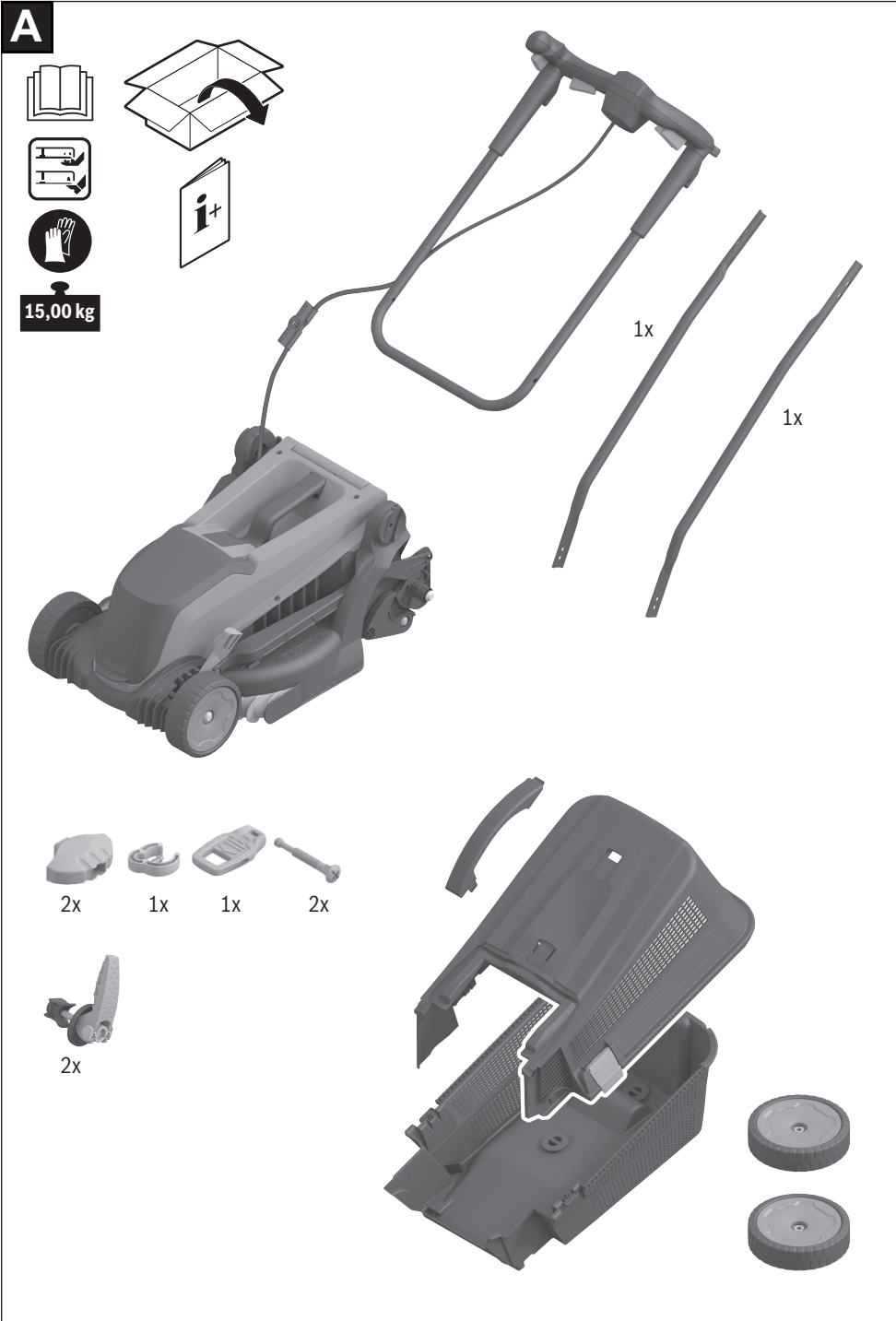
از رده خارج کردن دستگاه

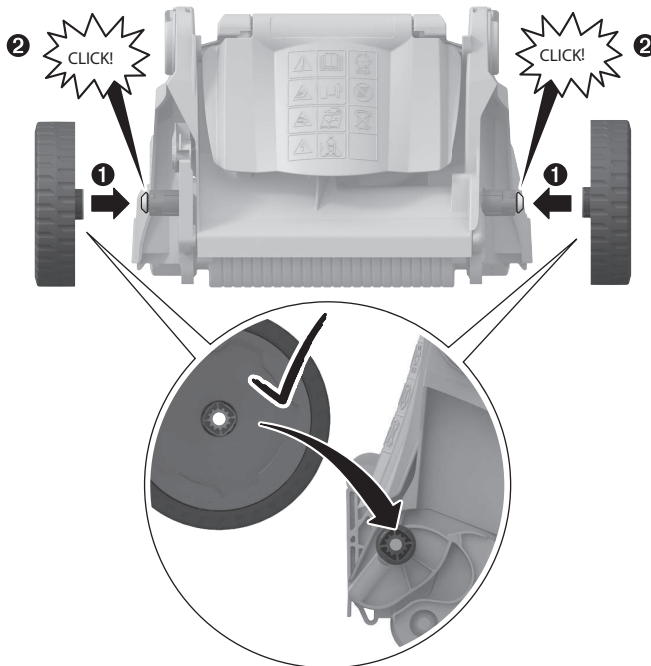
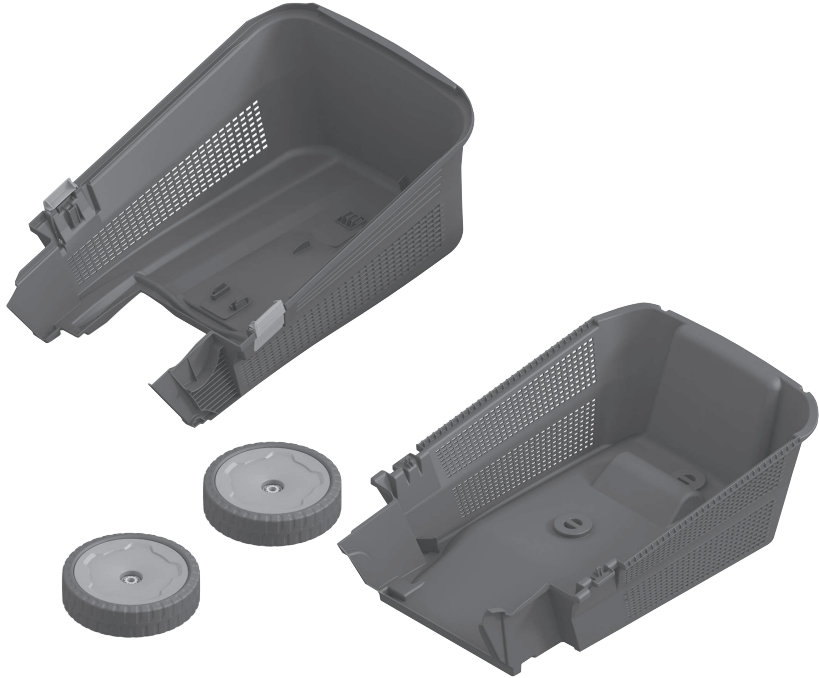
ابزارهای باغبانی، متعلقات و بسته بندی آن، باید طبق مقررات حفظ محیط زیست از رده خارج و بازیافت شوند.

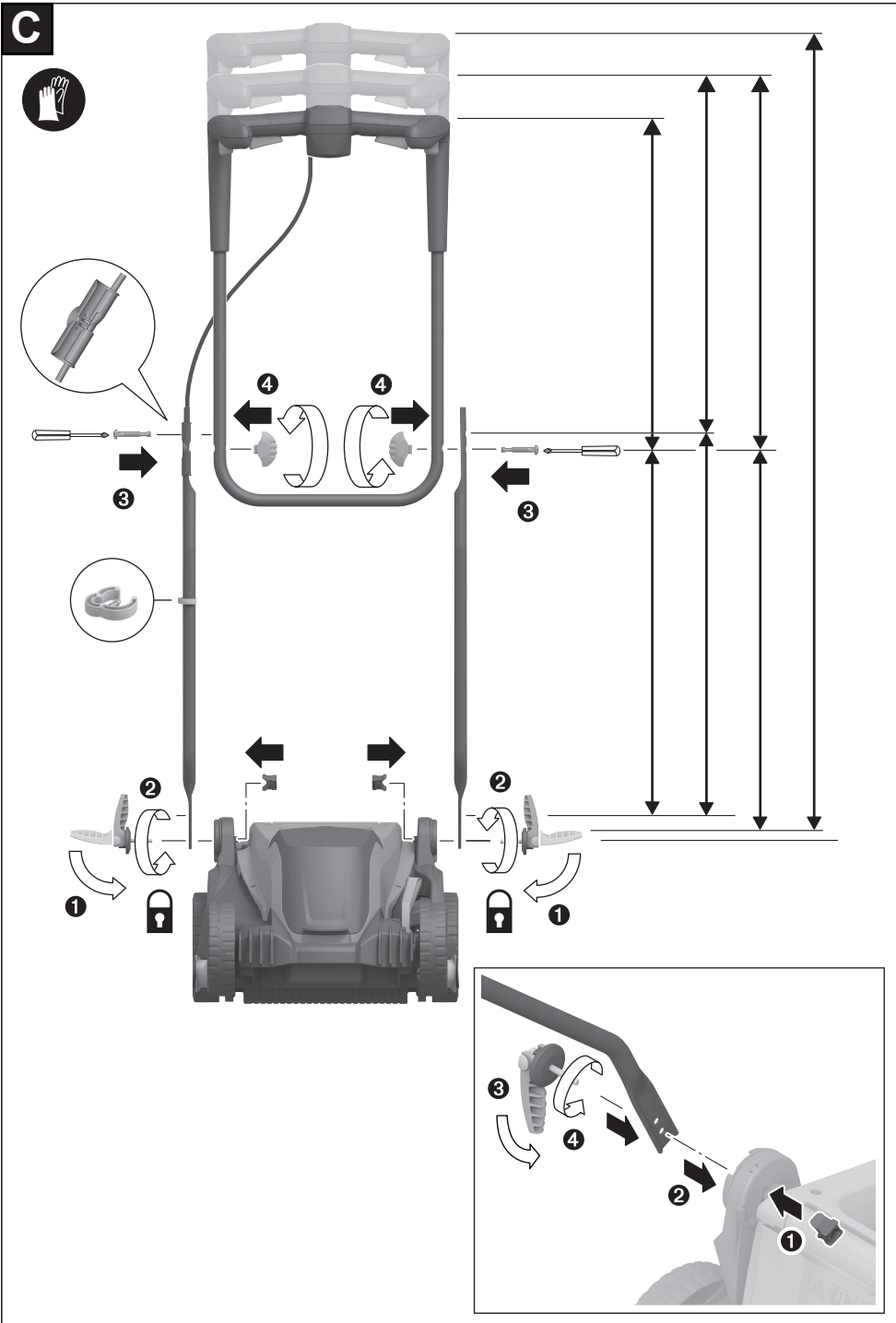


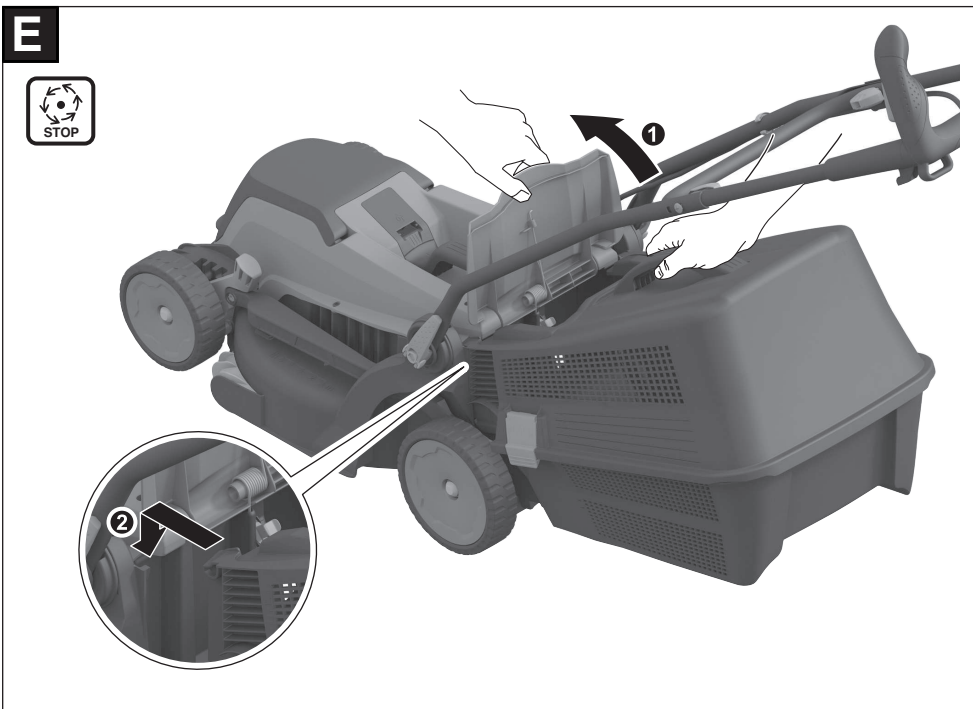
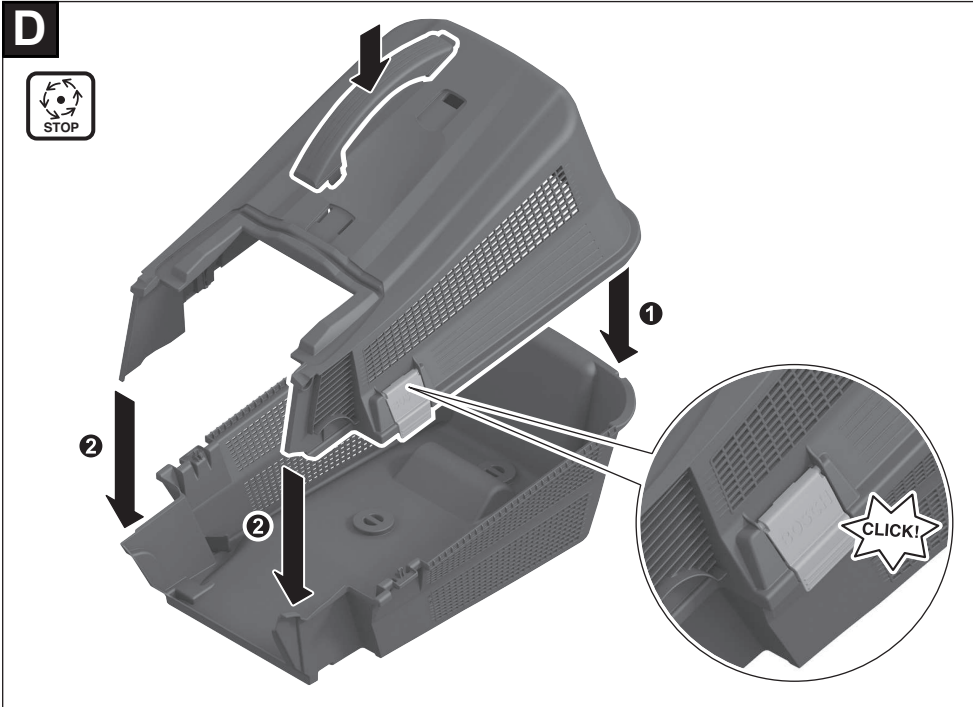
ابزارهای باغبانی، دو شاخه و باتریها/باتری های قابل شارژ را داخل زباله دان خانگی نیندازید!



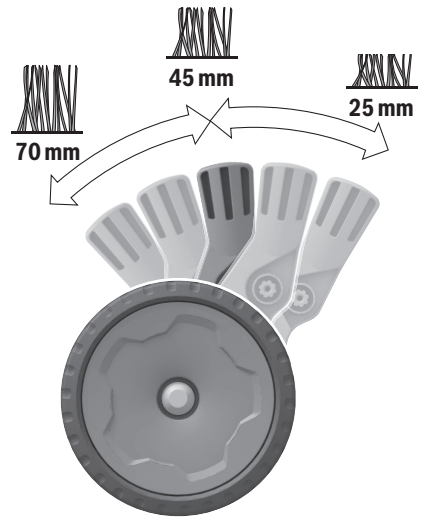
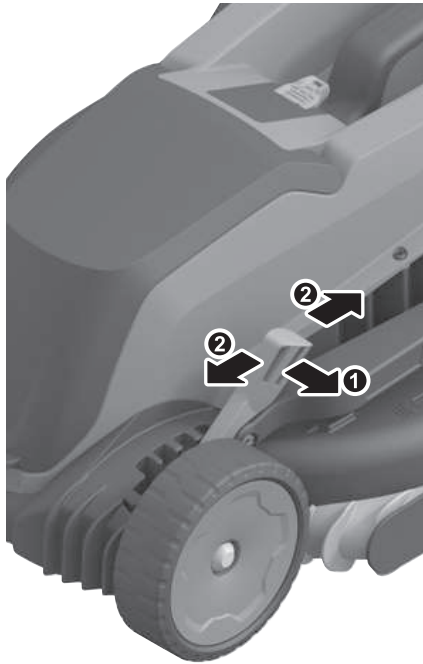


B

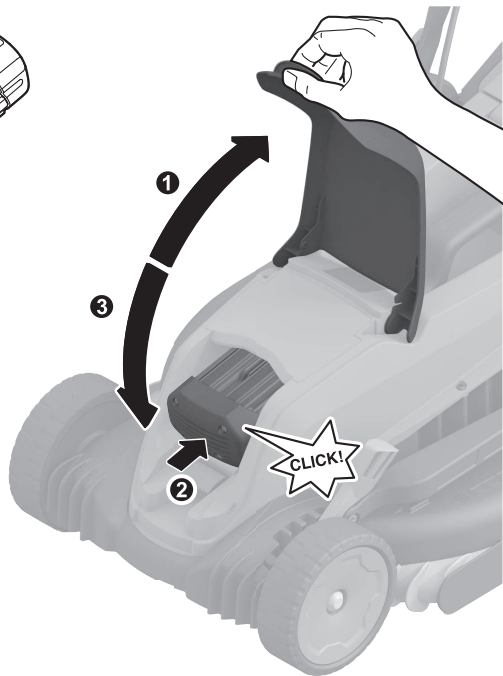
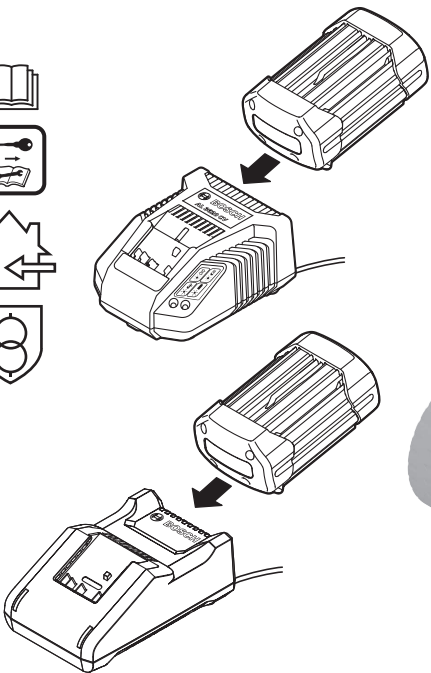


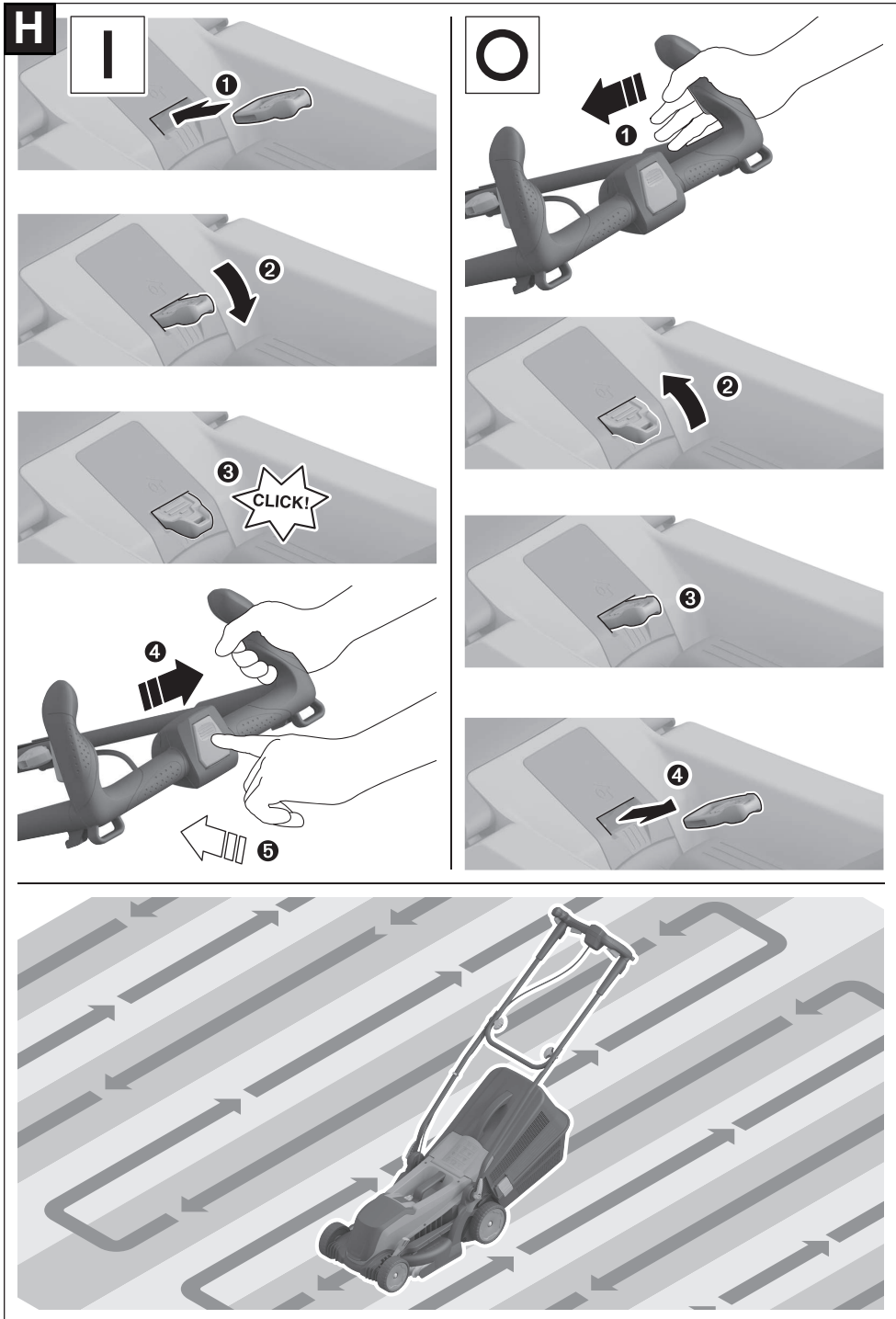


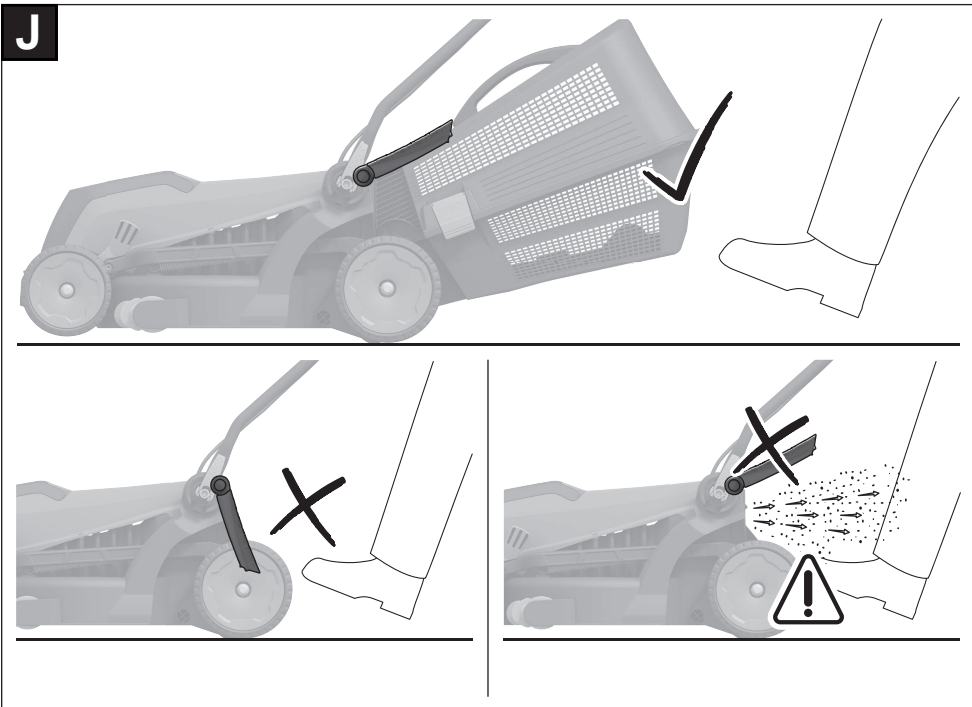
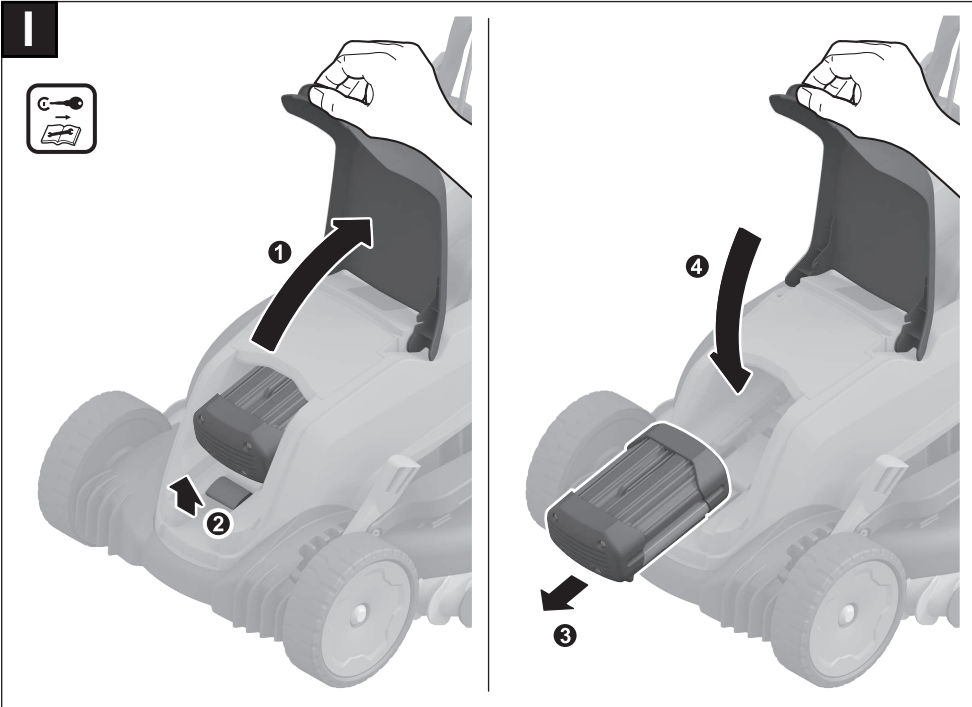
F



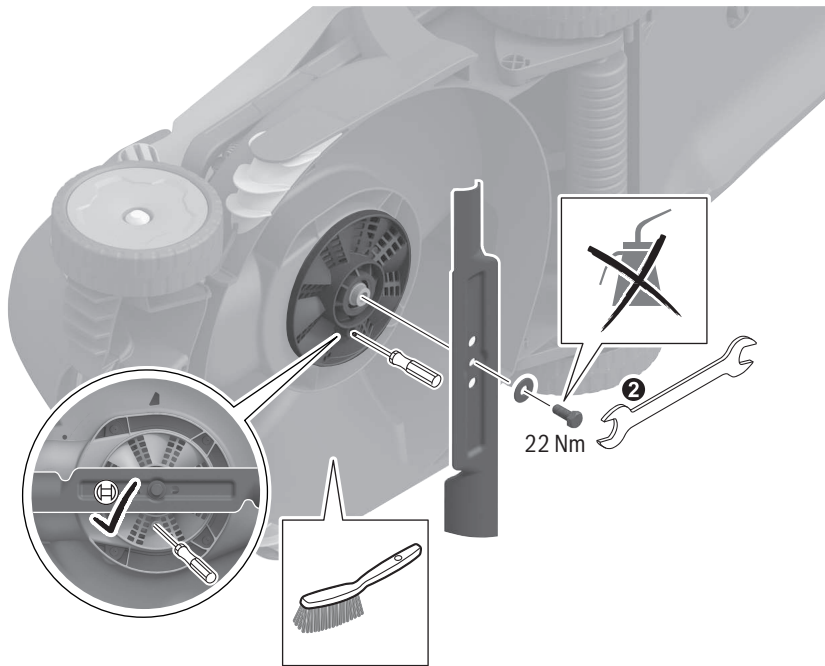
G



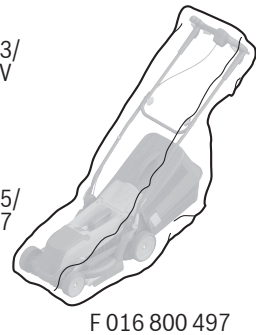
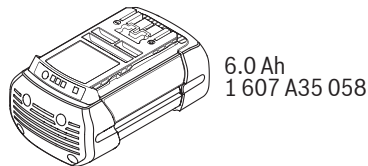
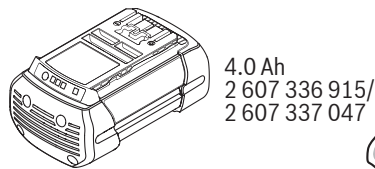
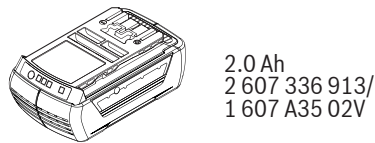
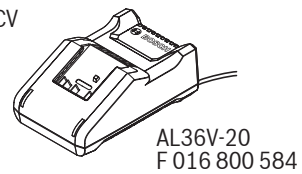
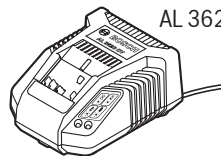
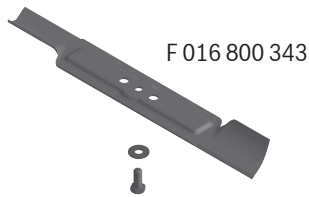




K



L



de	EU-Konformitätserklärung Rasenmäher Sachnummer	Wir erklären in alleiniger Verantwortung, dass die genannten Produkte allen einschlägigen Bestimmungen der nachfolgend aufgeführten Richtlinien und Verordnungen entsprechen und mit folgenden Normen übereinstimmen.
en	EU Declaration of Conformity Lawnmower Article number	We declare under our sole responsibility that the stated products comply with all applicable provisions of the directives and regulations listed below and are in conformity with the following standards.
fr	Déclaration de conformité UE Tondeuse N° d'article	Nous déclarons sous notre propre responsabilité que les produits décrits sont en conformité avec les directives, règlements normatifs et normes énumérés ci-dessous.
es	Declaración de conformidad UE Cortacésped Nº de artículo	Declaramos bajo nuestra exclusiva responsabilidad, que los productos nombrados cumplen con todas las disposiciones correspondientes de las Directivas y los Reglamentos mencionados a continuación y están en conformidad con las siguientes normas.
pt	Declaração de Conformidade UE Corta-relvas N.º do produto	Declaramos sob nossa exclusiva responsabilidade que os produtos mencionados cumprem todas as disposições e os regulamentos indicados e estão em conformidade com as seguintes normas.
it	Dichiarazione di conformità UE Tosaerba Codice prodotto	Dichiariamo sotto la nostra piena responsabilità che i prodotti indicati sono conformi a tutte le disposizioni pertinenti delle Direttive e dei Regolamenti elencati di seguito, nonché alle seguenti Normative.
nl	EU-conformiteitsverklaring Gazonmaaier Productnummer	Wij verklaren op eigen verantwoordelijkheid dat de genoemde producten voldoen aan alle desbetreffende bepalingen van de hierna genoemde richtlijnen en verordeningen en overeenstemmen met de volgende normen.
da	EU-overensstemmelseserklæring Plæneklipper Typenummer	Vi erklærer som eneansvarlige, at det beskrevne produkt er i overensstemmelse med alle gældende bestemmelser i følgende direktiver og forordninger og opfylder følgende standarder.
sv	EU-konformitetsförklaring Gräsklippare Produktnummer	Vi förklarar under eget ansvar att de nämnda produkterna uppfyller kraven i alla gällande bestämmelser i de nedan angivna direktiven och förordningarnas och att de stämmer överens med följande normer.
no	EU-samsvarserklæring Gressklipper Produktnummer	Vi erklærer under eneansvar at de nevnte produktene er i overensstemmelse med alle relevante bestemmelser i direktivene og forordningene nedenfor og med følgende standarder.
fi	EU-vaatimustenmukaisuusvakuutus Ruohonleikkuri Tuotenumero	Vakuutamme täten, että mainitut tuotteet vastaavat kaikkia seuraavien direktiivien ja asetusten asiaankuuluvia vaatimuksia ja ovat seuraavien standardien vaatimusten mukaisia.
el	Δήλωση πιστότητας ΕΕ Χλοοκοπτική μηχανή Αριθμός ευρετηρίου	Δηλώνουμε με αποκλειστική μας ευθύνη, ότι τα αναφερόμενα προϊόντα αντιστοιχούν σε όλες τις σχετικές διατάξεις των πιο κάτω αναφερόμενων οδηγιών και κανονισμών και ταυτίζονται με τα ακόλουθα πρότυπα.
tr	AB Uygunluk beyanı Tutamak kolları Ürün kodu	Tek sorumlu olarak, tanımlanan ürünün aşağıdaki yönetmelik ve direktiflerin geçerli bütün hükümlerine ve aşağıdaki standartlara uygun olduğunu beyan ederiz.
pl	Deklaracja zgodności UE Kosiarka Numer katalogowy	Oświadczamy z pełną odpowiedzialnością, że niniejsze produkty odpowiadają wszystkim wymaganiom poniżej wyszczególnionych dyrektyw i rozporządzeń, oraz że są zgodne z następującymi normami.
cs	EU prohlášení oshodě Travní sekačka Objednací číslo	Prohlašujeme na výhradní zodpovědnost, že uvedený výrobek splňuje všechna příslušná ustanovení níže uvedených směrnic a nařízení a je v souladu s následujícími normami.*

sk	EU vyhlásenie ozhode Kosačka na trávu Vecné číslo	Vyhlasujeme na výhradnú zodpovednosť, že uvedený výrobok spĺňa všetky príslušné ustanovenia nižšie uvedených smerníc anariadení a je vsúlade snasledujúcimi normami:
hu	EU konformitási nyilatkozat Fűnyírógép Cikkszám	Egyedüli felelősséggel kijelentjük, hogy a megnevezett termék megfelel az alábbiakban felsorolásra kerülő irányelvek és rendeletek valamennyi idevágó előírásainak és megfelelnek a következő szabványoknak.
ru	Заявление о соответствии ЕС Газонокосилка Товарный №	Мы заявляем под нашу единоличную ответственность, что названные продукты соответствуют всем действующим предписаниям нижеуказанных директив и распоряжений, а также нижеуказанных норм.
uk	Заява про відповідність ЄС Газонокосарка Товарний номер	Мизаявляємо під нашу одноособову відповідальність, що названі вироби відповідають усім чинним положенням нищеозначених директив і розпоряджень, а також нищеозначеним нормам.
kk	ЕО сәйкестік мағлұмдамасы Көгалшапқыш Өнім нөмірі	Өз жауапкершілікпен біз аталған өнімдер төменде жзылған директикалар мен жарлықтардың тиісті қағидаларына сәйкестігін және төмендегі нормаларға сай екенін білдіреміз.
ro	Declarație de conformitate UE Mașină de tun iarba cu mâner de ghidare Număr de identificare	Declarăm pe proprie răspundere că produsele menționate core-spond tuturor dispozițiilor relevante ale directivelor și regle-mentărilor enumerate în cele ce urmează și sunt în conformitate cu următoarele standarde.
bg	ЕС декларация за съответствие Градинска тревокосачка Каталоген номер	С пълна отговорност ние декларираме, че посочените продукти отговарят на всички валидни изисквания на директивите и разпоредбите по-долу и съответства на следните стандарти.
mk	EU-Изјава за сообразност Косачка за трева Број на дел/артикл	Со целосна одговорност изјавуваме, дека опишаните производи се во согласност со сите релевантни одредби на следните регулативи и прописи и се во согласност со следните норми.
sr	EU-izjava o usaglašenosti Kosačica za travu Broj predmeta	Na sopstvenu odgovornost izjavljujemo, da navedeni proizvodi odgovaraju svim dotičnim odredbama naknadno navedenih smernica u uredaba i da su u skladu sa sledećim standardima.
sl	Izjava o skladnosti EU Kosilnica Številka artikla	Izjavljamo pod izključno odgovornostjo, da je omenjen izdelek v skladu z vsemi relevantnimi določili direktiv in uredb ter ustreza naslednjim standardom.
hr	EU izjava o sukladnosti Šišač tratine Kataloški br.	Pod punom odgovornošću izjavljujemo da navedeni proizvodi odgovaraju svim relevantnim odredbama direktiva i propisima navedenima u nastavku i da su sukladni sa sljedećim normama.
et	EL-vastavusdeklaratsioon Muruniiduk Tootenumber	Kinnitame ainuvastutajatena, et nimetatud tooted vastavad järgnevalt loetletud direktiivide ja määruste kõikidele asjaomastele nõuetele ja on kooskõlas järgmiste normidega.
lv	Deklarācija par atbilstību ES standartiem Zāliena pļāvējs Izstrādājuma numurs	Mēs ar pilnu atbildību paziņojam, ka šeit aplūkotie izstrādājumi atbilst visiem tālāk minētajās direktīvās un rīkojumos ietvertajām saistošajām nostādņēm, kā arī sekojošiem standartiem.
lt	ES atitikties deklaracija Žoliapjovė Gaminio numeris	Atsakingai pareiškiame, kad išvardyti gaminiai atitinka visus privalomus žemiau nurodytų direktyvų ir reglamentų reikalavimus ir šiuos standartus.

EasyRotak 36-550

3 600 HB9 B..

2006/42/EC
2014/30/EU
2011/65/EU
2000/14/EC

CE

III

EN 60335-1:2012+A11:2014+A13:2017
EN 60335-2-77:2010
EN 55014-1:2017
EN 55014-2:2015
EN 50581:2012

de	<p>2000/14/EG: Gemessener Schallleistungspegel 96 dB(A), Unsicherheit K = 1.5 dB, garantierter Schallleistungspegel 96 dB(A)</p> <p>Bewertungsverfahren der Konformität gemäß Anhang VI. Produktkategorie: 32 Benannte Stelle: DEKRA Certification B.V. Meander 1051, P.O. Box 5185, 6825 MJ ARNHEM, 6802 ED ARNHEM, Netherlands, Nr. 0344 Technische Unterlagen bei: *</p>
en	<p>2000/14/EC: Measured sound power level 96 dB(A), uncertainty K = 1.5 dB, guaranteed sound power level 96 dB(A)</p> <p>Conformity assessment procedure in accordance with annex VI. Product category: 32 Notified body: DEKRA Certification B.V. Meander 1051, P.O. Box 5185, 6825 MJ ARNHEM, 6802 ED ARNHEM, Netherlands, Nr. 0344 Technical file at: *</p>
fr	<p>2000/14/CE : niveau de puissance acoustique mesuré 96 dB(A), incertitude K = 1.5 dB, niveau de puissance acoustique garanti 96 dB(A)</p> <p>Procédure d'évaluation de conformité selon l'annexe VI. Catégorie de produit : 32 Centre de contrôle cité : DEKRA Certification B.V. Meander 1051, P.O. Box 5185, 6825 MJ ARNHEM, 6802 ED ARNHEM, Netherlands, Nr. 0344 Dossier technique auprès de : *</p>
es	<p>2000/14/CE: nivel medido de la potencia acústica 96 dB(A), tolerancia K = 1.5 dB, nivel garantizado de la potencia acústica 96 dB(A)</p> <p>Método de evaluación de la conformidad según anexo VI. Categoría de producto: 32 Lugar denominado: DEKRA Certification B.V. Meander 1051, P.O. Box 5185, 6825 MJ ARNHEM, 6802 ED ARNHEM, Netherlands, Nr. 0344 Documentos técnicos de: *</p>
pt	<p>2000/14/CE: Nível de potência acústica medido 96 dB(A), insegurança K = 1.5 dB, nível de potência acústica garantido 96 dB(A)</p> <p>Processo de avaliação da conformidade de acordo com o anexo VI. Categoria de produto: 32 Organismo notificado: DEKRA Certification B.V. Meander 1051, P.O. Box 5185, 6825 MJ ARNHEM, 6802 ED ARNHEM, Netherlands, Nr. 0344 Documentação técnica pertencente à: *</p>
it	<p>2000/14/CE: livello di potenza sonora misurato 96 dB(A), incertezza K = 1.5 dB, livello di potenza sonora garantito 96 dB(A)</p> <p>Procedimento di valutazione della conformità secondo l'Allegato VI. Categoria prodotto: 32 Ente incaricato: DEKRA Certification B.V. Meander 1051, P.O. Box 5185, 6825 MJ ARNHEM, 6802 ED ARNHEM, Netherlands, Nr. 0344 Documentazione Tecnica presso: *</p>
nl	<p>2000/14/EG: gemeten geluidsvermogensniveau 96 dB(A), onzekerheid K = 1.5 dB, gegarandeerd geluidsvermogensniveau 96 dB(A)</p> <p>Beoordelingsmethode van de overeenstemming volgens bijlage VI. Productcategorie: 32 Aangewezen instantie: DEKRA Certification B.V. Meander 1051, P.O. Box 5185, 6825 MJ ARNHEM, 6802 ED ARNHEM, Netherlands, Nr. 0344 Technisch dossier bij: *</p>
da	<p>2000/14/EF: Målt lyd effekt niveau 96 dB(A), usikkerhed K = 1.5 dB, garanteret lyd effekt niveau 96 dB(A)</p> <p>Overensstemmelsesvurderingsprocedure som omhandlet i bilag VI. Produktkategori: 32 Bemyndiget organ: DEKRA Certification B.V. Meander 1051, P.O. Box 5185, 6825 MJ ARNHEM, 6802 ED ARNHEM, Netherlands, Nr. 0344 Tekniske bilag ved: *</p>
sv	<p>2000/14/EG: Uppmått bullernivå 96 dB(A), osäkerhet K = 1.5 dB, garanterad bullernivå 96 dB(A)</p> <p>Konformitetens bedömningsmetod enligt bilaga VI. Produktkategori: 32 Angivet provningsställe: DEKRA Certification B.V. Meander 1051, P.O. Box 5185, 6825 MJ ARNHEM, 6802 ED ARNHEM, Netherlands, Nr. 0344 Teknisk dokumentation: *</p>

no	<p>2000/14/EC: Målt lydeffektnivå 96 dB(A), usikkerhet K = 1.5 dB, garantert lydeffektnivå 96 dB(A)</p> <p>Samsvarsvurderingsmetode i henhold til vedlegg VI. Produktkategori: 32</p> <p>Bemyndiget organ: DEKRA Certification B.V. Meander 1051, P.O. Box 5185, 6825 MJ ARNHEM,6802 ED ARNHEM, Netherlands, Nr. 0344</p> <p>Teknisk dokumentasjon hos: *</p>
fi	<p>2000/14/EY: mitattu äänitehotaso 96 dB(A), epävarmuus K = 1.5 dB, taattu äänitehotaso 96 dB(A)</p> <p>Vaatimustenmukaisuuden arviointimenetelmä liitteen VI mukaisesti. Tuotekategoria: 32</p> <p>Ilmoitettu laitos: DEKRA Certification B.V. Meander 1051, P.O. Box 5185, 6825 MJ ARNHEM,6802 ED ARNHEM, Netherlands, Nr. 0344</p> <p>Tekniset asiakirjat saatavana: *</p>
el	<p>2000/14/EK: Μετρημένη στάθμη ηχητικής ισχύος 96 dB(A), ανασφάλεια K = 1.5 dB, εγγυημένη στάθμη ηχητικής ισχύος 96 dB(A).</p> <p>Διαδικασία αξιολόγησης της πιστότητας σύμφωνα με το παράρτημα VI. Κατηγορία προϊόντος: 32</p> <p>Αναφερόμενος οργανισμός: DEKRA Certification B.V. Meander 1051, P.O. Box 5185, 6825 MJ ARNHEM,6802 ED ARNHEM, Netherlands, Nr. 0344</p> <p>Τεχνικά έγγραφα στη:</p>
tr	<p>2000/14/EC: Ölçülen ses gücü seviyesi 96 dB(A), tolerans K = 1.5 dB, garanti edilen ses gücü seviyesi 96 dB(A)</p> <p>Uygunluk değerlendirme yöntemi ek VI uyarınca. Ürün kategorisi: 32</p> <p>Onaylanmış kuruluş: DEKRA Certification B.V. Meander 1051, P.O. Box 5185, 6825 MJ ARNHEM,6802 ED ARNHEM, Netherlands, Nr. 0344</p> <p>Teknik belgelerin bulunduğu yer:</p>
pl	<p>2000/14/WE: pomierzonej poziom mocy akustycznej 96 dB(A), niepewność K = 1.5 dB, gwarantowany poziom mocy akustycznej 96 dB(A)</p> <p>Procedura oceny zgodności zgodnie z załącznikiem VI. Kategoria produktów: 32</p> <p>Jednostka certyfikująca: DEKRA Certification B.V. Meander 1051, P.O. Box 5185, 6825 MJ ARNHEM,6802 ED ARNHEM, Netherlands, Nr. 0344</p> <p>Dokumentacja techniczna: *</p>
cs	<p>2000/14/ES: změřená hladina akustického výkonu 96 dB(A), nejistota K = 1.5 dB, zaručená hladina akustického výkonu 96 dB(A)</p> <p>Metoda posouzení shody podle dodatku VI. Kategorie výrobku: 32</p> <p>Uvedená zkušební instituce: DEKRA Certification B.V. Meander 1051, P.O. Box 5185, 6825 MJ ARNHEM,6802 ED ARNHEM, Netherlands, Nr. 0344</p> <p>Technické podklady u: *</p>
sk	<p>2000/14/ES: odmeraná hladina akustického výkonu 96 dB(A), neistota K = 1.5 dB, zaručená hladina akustického výkonu 96 dB(A)</p> <p>Metóda posúdenia zhody podľa dodatku VI. Kategória výrobku: 32</p> <p>Uvedená skúšobná inštitúcia: DEKRA Certification B.V. Meander 1051, P.O. Box 5185, 6825 MJ ARNHEM,6802 ED ARNHEM, Netherlands, Nr. 0344</p> <p>Technické podklady má spoločnosť: *</p>
hu	<p>2000/14/EK: Mért hangteljesítmény-szint 96 dB(A), szórás K = 1.5 dB, garantált hangteljesítmény-szint 96 dB(A)</p> <p>A konformitás kiértékelési eljárást lásd a VI Függelékben. Termékkategória: 32</p> <p>Megnevezett intézet: DEKRA Certification B.V. Meander 1051, P.O. Box 5185, 6825 MJ ARNHEM,6802 ED ARNHEM, Netherlands, Nr. 0344</p> <p>Műszaki dokumentumok megőrzési pontja: *</p>
ru	<p>2000/14/EC: Измеренный уровень звуковой мощности 96 дБ(А), погрешность K = 1.5 дБ, гарантированный уровень звуковой мощности 96 дБ(А)</p> <p>Процедура оценки соответствия согласно приложения VI. Категория продукта: 32</p> <p>Назначенный орган: DEKRA Certification B.V. Meander 1051, P.O. Box 5185, 6825 MJ ARNHEM,6802 ED ARNHEM, Netherlands, Nr. 0344</p> <p>Техническая документация хранится у: *</p>

uk	<p>2000/14/EC: виміряна звукова потужність 96 дБ(А), похибка $K = 1.5$ дБ, гарантована звукова потужність 96 дБ(А)</p> <p>Процедура оцінки відповідності відповідно до додатку VI. Категорія продукту: 32 Призначений орган: DEKRA Certification B.V. Meander 1051, P.O. Box 5185, 6825 MJ ARNHEM, 6802 ED ARNHEM, Netherlands, Nr. 0344 Технічна документація зберігається у: *</p>
kk	<p>2000/14/EC: Өлшелген дыбыс қаттылығы 96 дБ(А), дәлсіздік $K = 1.5$ дБ, кепілденген дыбыс қаттылығы 96 дБ(А)</p> <p>Сәйкестікті анықтау әдісі VI тіркелгісі бойынша. Өнім санаты: 32 Аталған жай: DEKRA Certification B.V. Meander 1051, P.O. Box 5185, 6825 MJ ARNHEM, 6802 ED ARNHEM, Netherlands, Nr. 0344 Техникалық құжаттар: *</p>
ro	<p>2000/14/CE: Nivel măsurat al puterii sonore 96 dB(A), incertitudine $K = 1.5$ dB, nivel garantat al puterii sonore 96 dB(A)</p> <p>Procedură de evaluare a conformității potrivit Anexei VI. Categorie produse: 32 Organism notificat: DEKRA Certification B.V. Meander 1051, P.O. Box 5185, 6825 MJ ARNHEM, 6802 ED ARNHEM, Netherlands, Nr. 0344 Documentație tehnică la: *</p>
bg	<p>2000/14/EO: измерено ниво на звуковата мощност 96 dB(A), неопределеност $K = 1.5$ dB, гарантирано ниво на мощността на звука dB(A)</p> <p>Метод за оценка на съответствието съгласно приложение VI. Категория продукт: 32 Сертифициращ орган: DEKRA Certification B.V. Meander 1051, P.O. Box 5185, 6825 MJ ARNHEM, 6802 ED ARNHEM, Netherlands, Nr. 0344 Техническа документация при: *</p>
mk	<p>2000/14/EC: Измерено ниво на звучна јачина 96 dB(A), несигурност $K = 1.5$ dB, загарантирано ниво на звучна јачина 96 dB(A)</p> <p>Постапка за процена на сообразноста според прилог VI. Категорија на производ: 32 Назначено тело: DEKRA Certification B.V. Meander 1051, P.O. Box 5185, 6825 MJ ARNHEM, 6802 ED ARNHEM, Netherlands, Nr. 0344 Техничка документација кај: *</p>
sr	<p>2000/14/EC: izmereni nivo ostvarene buke 96 dB(A), nepouzdanost $K = 1.5$ dB, garantovani nivo ostvarene buke 96 dB(A)</p> <p>Postupak ocenjivanja usaglašenosti prema prilogu VI. Kategorija proizvoda: 32 nadležna instanca: DEKRA Certification B.V. Meander 1051, P.O. Box 5185, 6825 MJ ARNHEM, 6802 ED ARNHEM, Netherlands, Nr. 0344 Tehnička dokumentacija kod: *</p>
sl	<p>2000/14/ES: Izmerjena raven zvočne moči 96 dB(A), negotovost $K = 1.5$ dB, zagotovljena raven zvočne moči 96 dB(A)</p> <p>Postopek za presojo skladnosti v skladu s prilogu VI. Kategorija izdelka: 32 Pristojni organ: DEKRA Certification B.V. Meander 1051, P.O. Box 5185, 6825 MJ ARNHEM, 6802 ED ARNHEM, Netherlands, Nr. 0344 Tehnična dokumentacija pri: *</p>
hr	<p>2000/14/EZ: Izmjerena razina učinka buke 96 dB(A), nesigurnost $K = 1.5$ dB, zajamčena razina učinka buke 96 dB(A)</p> <p>Postupak ocjenjivanja sukladnosti prema dodatku VI. Kategorija proizvoda: 32 Tijelo za ocjenjivanje sukladnosti: DEKRA Certification B.V. Meander 1051, P.O. Box 5185, 6825 MJ ARNHEM, 6802 ED ARNHEM, Netherlands, Nr. 0344 Tehnička dokumentacija se može dobiti kod: *</p>
et	<p>2000/14/EÜ: Mõõdetud helivõimsustase 96 dB(A), mõõtemääramatus $K = 1.5$ dB, garanteeritud helivõimsustase 96 dB(A)</p> <p>Vastavuse hindamise meetod vastavalt lisale VI. Tootekategooria: 32 Teavitatud asutus: DEKRA Certification B.V. Meander 1051, P.O. Box 5185, 6825 MJ ARNHEM, 6802 ED ARNHEM, Netherlands, Nr. 0344</p>

HEM, Netherlands, Nr. 0344

Tehniskā dokumentācija saadava: *

lv 2000/14/EK: izmērītais trokšņa jaudas līmenis ir **96 dB(A)**, izkliede K ir **1.5 dB**, garantētais trokšņa jaudas līmenis ir **96 dB(A)**

Atbilstības novērtēšana ir veikta saskaņā ar pielikumu **VI**. Izstrādājuma kategorija: **32**Deklarētā pārbaudes vieta: **DEKRA Certification B.V. Meander 1051, P.O. Box 5185, 6825 MJ ARNHEM, 6802 ED ARNHEM, Netherlands, Nr. 0344**

Tehniskā dokumentācija no: *

it 2000/14/EB: išmatuotas garso galios lygis **96 dB(A)**, paklaida K = **1.5 dB**, garantuotas garso galios lygis **96 dB(A)**

Atitikties vertinimas atliktas pagal priedā **VI**. Gaminio kategorija: **32**Notifikuota įstaiga: **DEKRA Certification B.V. Meander 1051, P.O. Box 5185, 6825 MJ ARNHEM, 6802 ED ARNHEM, Netherlands, Nr. 0344**

Techninė dokumentacija saugoma: *

**BOSCH*** Robert Bosch Power Tools GmbH, PT/ECS,
70538 Stuttgart, GERMANYHenk Becker
Chairman of Executive
ManagementHelmut Heinzelmann
Head of Product CertificationRobert Bosch Power Tools GmbH, 70538 Stuttgart, GERMANY
Stuttgart, **06.02.2020**