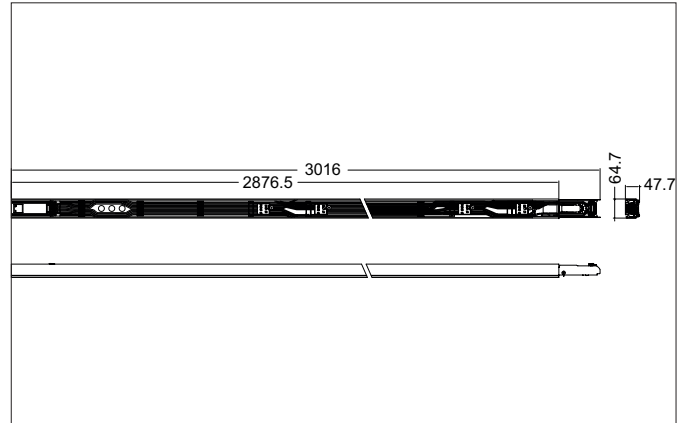


**B-LIGHT 11-pin mounting rail**

Article no. 55012080

**Tender**

11-pin mounting rail, black, Rectangular. Rectangular aluminum support rail for modular quick-assembly continuous-row system for mechanical mounting and electrical supply of modular system components as well as for integrating system-compliant infeed and termination components. Torsion-resistant aluminium profile with optimized profile geometry for high bending and longitudinal stability for industrial, logistics and work areas. Mounting rail length 2,876 mm, mounting rail width 64.7 mm, height 45.5 mm. With integrated halogen-free through-wiring 2.5 mm², 11-pole (L1, L2, L3, N, PE, DIM+, DIM-, EL1, EL2, EN1, EN2), reverse polarity protected plug connection and continuous protective conductor routing. Suitable for switchable and dimmable applications with extended conductor infrastructure. Suitable for direct and suspended mounting (wire/chain). Protection class I in accordance with EN 61140. Protection class IP20 in accordance with DIN EN 60529. Permissible ambient temperature (ta) -20 °C to +35 °C. Powder-coated surface, color black (RAL 9005). Mounting method: Surface mounting, Material: Aluminium, dimensions profile: length: 2.876 mm x width: 64,7 mm x height: 45,5 mm.



B-LIGHT 11-pin mounting rail

Article no. 55012080

Product Benefits

- The Brumberg quick-mounting light strip (SML) consists of torsion-resistant aluminum aluminum trunking as a base.
- For continuous lines in work, storage and production areas.
- Very quick and easy installation thanks to pre-assembled mechanical and electrical couplings and clear system logic.
- Suitable for ceiling surface-mounting and suspended installation.
- Fastening distances/protrusions according to installation instructions.
- Very light and dimensionally stable, in RAL 9016 or RAL 9005, available in 1/2/3 lengths.
- Optionally 7- or 11-pole for defined line connection.
- With integrated halogen-free through-wiring 2.5 mm², 11-pole (L1, L2, L3, N, PE, DIM+, DIM-, EL1, EL2, EN1, EN2), reverse polarity protected plug connection and continuous protective conductor routing.
- Ideal for renovations and new builds thanks to its low weight and easy handling.
- Mounting rail length: 2,876 mm
- Mounting rail width: 64.7 mm
- Mounting rail height: 45.5 mm
- Conductor cross-section: 2.5 mm²
- Number of poles: 11-pole
- Housing material: aluminum
- Surface: powder-coated
- Color: black (RAL 9005)
- Permissible ambient temperature: -20 °C to +35 °C
- Protection class I
- Protection class IP20

Article data	
Article no.	55012080
GTIN	4255752527152
Series name	B-LIGHT
Short description	11-pin mounting rail
Material	Aluminium
Colour	black
Type of surface	smooth
Shape	Rectangular
Length	2,876 mm
Width	64.7 mm
Height	45.5 mm
Weight	2.65 kg
stamp	ENEC
Conformance	CE, UKCA

Operating technology of the luminaire	
Protection class	I
Degree of protection	IP20
Wire number	11

Mounting technology	
Mounting method	Surface mounting
Place of installation	Ceiling-mounted
Further references	Indoor
Application	Indoor
Suitable for through-wiring	Yes

**B-LIGHT 11-pin mounting rail**

Article no. 55012080

Packing data	
Gross weight	2.9 kg
Length of packaging	3,050 mm
Packaging width	73 mm
Packaging height	60 mm
Disposal at end of life	This product must not be disposed of with household waste. You are obliged, to dispose of such electrical waste separately. By disposing of electrical waste and other old or defective electronics separately, you support recycling or other forms of re-use. In that way you help to take care and to avoid that harmful substances get into the environment.

Required accessories	
Article no.: 55091080 11-pin feed-in box	Dimensions: 402 mm x 64.7 mm x 65.7 mm https://www.brumberg.com/fileadmin/products/Datenblatt_55091080_2021_DE.pdf
Article no.: 55095080 End box 237 mm (empty/PE)	Dimensions: 237 mm x 64.7 mm x 65.7 mm https://www.brumberg.com/fileadmin/products/Datenblatt_55095080_2021_DE.pdf

Optional accessories	
Article no.: 55180080 End cap for rail end	Dimensions: 65.9 mm x 64.7 mm x 24.6 mm https://www.brumberg.com/fileadmin/products/Datenblatt_55180080_2021_DE.pdf
Article no.: 55081000 End feed connector, 11-pin	Dimensions: 118 mm x 50 mm x 15 mm https://www.brumberg.com/fileadmin/products/Datenblatt_55081000_2021_DE.pdf
Article no.: 55080000 Power plug with 11-pin socket	Dimensions: 113 mm x 50 mm x 15 mm https://www.brumberg.com/fileadmin/products/Datenblatt_55080000_2021_DE.pdf