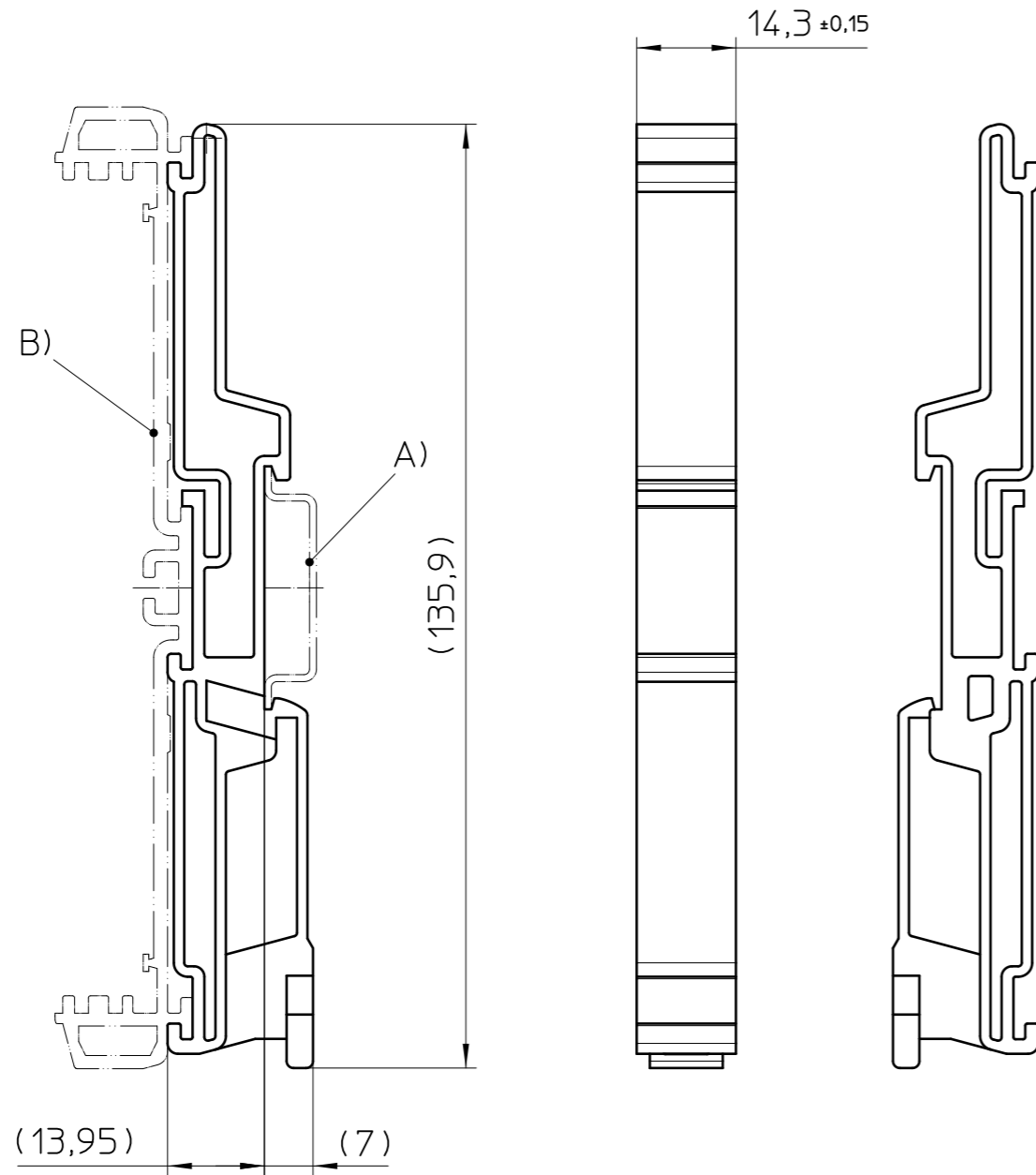


Transfer or duplication of this document as well as the utilisation or communication of its content are not permitted unless express consent is granted. Violations give rise to claims for damages. All rights reserved in case of patent, utility model or design patent registrations.

Weitergabe sowie Vervielfältigung dieses Dokuments, Verwertung und Mitteilung seines Inhalts sind verboten, soweit nicht ausdrücklich gestattet. Zuwiderhandlungen verpflichten zu Schadenersatz. Alle Rechte für den Fall der Patent-, Gebrauchsmuster- oder Designeintragung vorbehalten.



General Information:

- Simplified representation
- Document excluded from change process
- Linear dimensions [mm]
- Tolerances apply in a normal climate according to DIN EN ISO 291-23/50-2, PA plastic parts with about 2% (% by weight) moisture content.
- Web: www.phoenixcontact.com webcode: #0313 / #0314

Additional Information:

- A) Mounting rail according to DIN EN 60715: TH 35-7,5 or Mounting rail similar to DIN EN 60715: TH 35-15x1,5
- B) UM-PRO 122 PROFILE or UM-BASIC 122 PROFIL

Pos.	QTY	description	material
1	1	FOOT	PA
		document-No. / RI	date
		01044771 / 01	22.05.2025
		document-type	scale
		TECDOC 2D_Productdrawing	1:1
		description	
		UM-PRO (BASIC/PRO) 122 FOOT	
page 1	of 1		