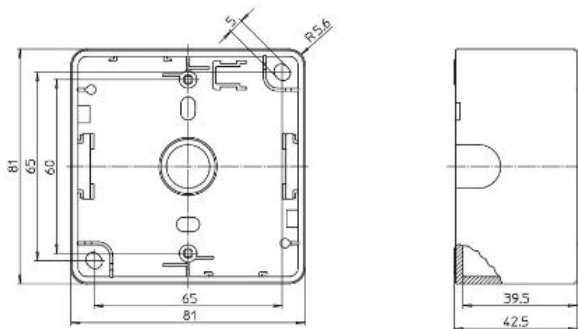


**Surface-mounting pattress
aluminium enamelled**

Product Data Sheet



Assembly arrangement	Surface mounted housing
Mounting direction	Horizontal and vertical
Material	Plastic
Material quality	Thermoplastic
Surface protection	Lacquered
Surface finishing	Glossy
Colour	Aluminium
Halogen free	Yes



**Surface-mounting pattress
aluminium enamelled**

Surface-mounting pattress with closed pattress for vertical and horizontal mounting,
including cable entry blanking plate (article no. 29.xx)
and 1 cable entry (article no. 26.xx), single, dimensions W 81 x L 81 x H 42 mm

Not for use with DIALOG exclusiv combination frames!

Material No.	Article No.	EAN-code
00306611	D 95.691.70	4010105306613

PEHA Elektro GmbH & Co.KG

a Honeywell Company
Daimlerstraße 4
58553 HALVER
DEUTSCHLAND

Tel.: 02353 9118 001
Fax: 02353 9118 311
mail: peha@honeywell.com
www.peha.de

Änderungen vorbehalten. © Honeywell PEHA