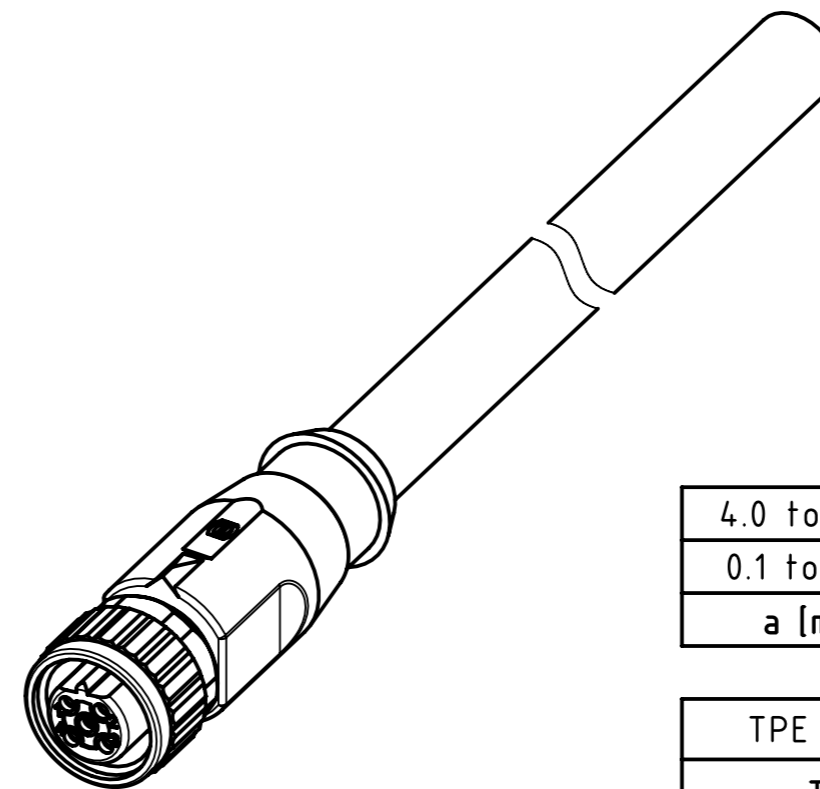
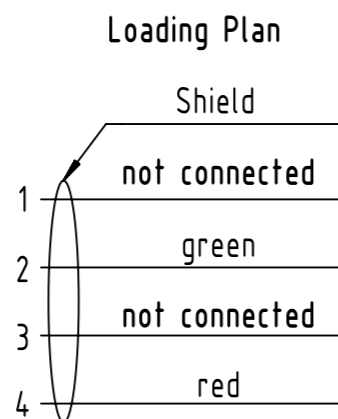
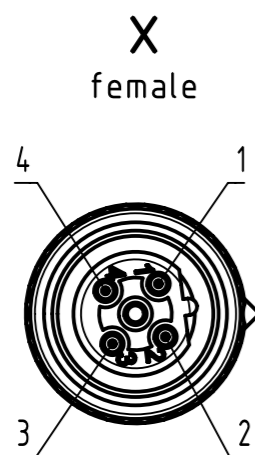
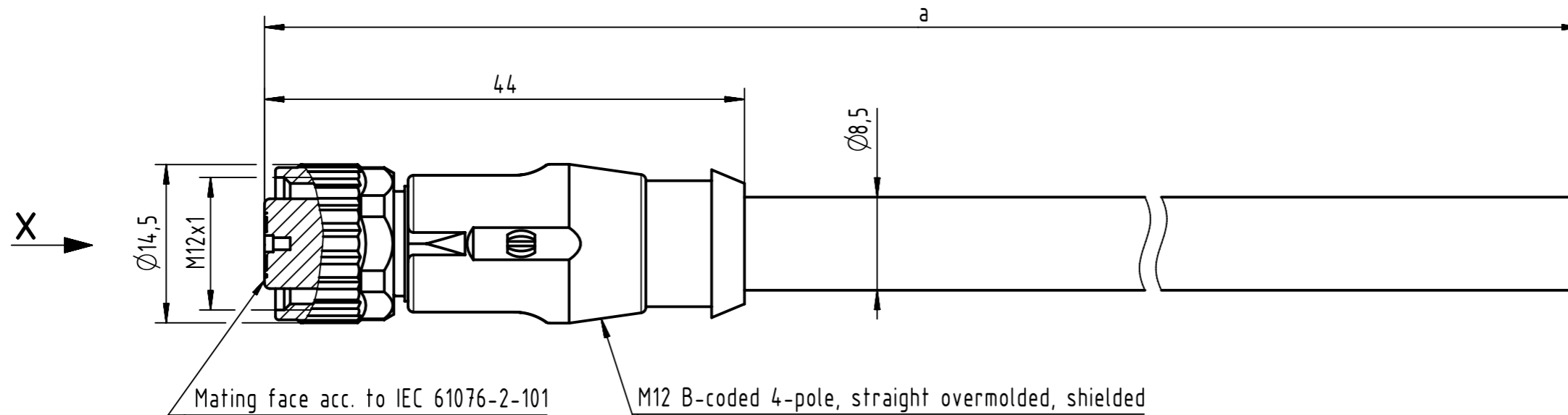


Connector Location A

Connector Location B



E500416



4.0 to 100	±1%
0.1 to 3.9	+0.04
a [m]	Tolerance

length in "1m" step	100	XXX=000
	99	XXX=990
	.	.
	12	XXX=120
	11	XXX=110
length in "0.1m" step	10	XXX=100
	9.9	XXX=099
	9.8	XXX=098
	.	.
	0.4	XXX=004
	0.3	XXX=003
	0.2	XXX=002
0.1	XXX=001	
Step	a [m]	XXX

TPE violet, 2xAWG24	21348900487XXX
Type of cable	Part no.

- Protection level: IP67
- Temperature range: -30°C ... +60°C

All Dimensions in mm		Tech. Character.		Free size tol.		According to production drawing	
All rights reserved Department HCS - GPM HARTING Customised Solutions D-32339 Espelkamp	Created by 407675 Lorinczi	Inspected by BANCIUD Banciu	Standardisation MUNTEANV Muntean	Date 2024-02-12	State Final Release		Doc-Key / ECM-Nr. 100807059/UGD/009/B 500000253531 Rev. B Page 1/1
	Title M12 Cable Assembly B-cod st/- f/-			Type TB	Number 21348900487XXX		