

Connector - with TE screw terminals, for harsh applications



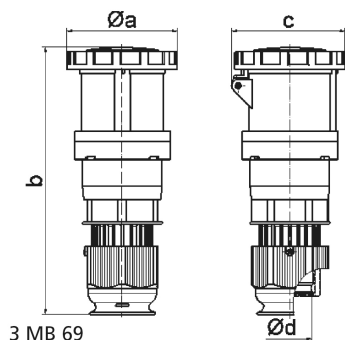
Product description	
BALS-Prd.-Nr	31641
EAN	4024941316415
Product category	Connector TE
Current	125A
Number of poles	5p
Poles	3p+N+PE
Position of earth contact	1 h

Product description	
Voltage	>50V for all other not classified voltages and/or frequencies. This time position can additionally process in special applications, in which a distinction to standardized positions needed to be used.
Protection degree	IP67
Colour code	gray RAL 7035
Colour of appliance	Hinged lid grey RAL 7035, Bayonet ring grey RAL 7035, Housing cover grey RAL 7035, Cable gland grey RAL 7035, Collar grey RAL 7035
Connection design	screw terminal as box terminal with Kontex-contact
Maximum conductor size	50.0 qmm
Cable entry	Cable gland
Height	295mm
Width	125mm
Depth	128mm
Material of enclosure	Polycarbonate + Polyester
Contact	The contact carrier is made of high temperature resistant material, the contacts are brass nickel plated

Additional technical properties	
	For cable diameter from 26 up to max. 50 mm, Multi-Grip cable gland with gasket, integrated cable clamp and additional water evacuation openings

Logistics data	
Weight/pcs	1.37 kg / Piece
Packaging	Bag

Logistics data	
Content amount	1 ST
EAN	4024941316415
Length	128 mm
Width	125 mm
Height	295 mm
Weight	1.371 kg
Volume	4,720 ccm
Packaging	Carton
Content amount	5 ST
EAN	4024941836388
Length	345 mm
Width	345 mm
Height	217 mm
Weight	7.185 kg
Volume	24,276 ccm



Ampere	125	125	125					
Polzahl	3	4	5					
a ø	125,0	125,0	125,0					
b	300,0	300,0	300,0					
c	128,0	128,0	128,0					
d ø	50,0	50,0	50,0					
Leiter mm ² min	16	16	16					
Leiter mm ² max	50	50	50					