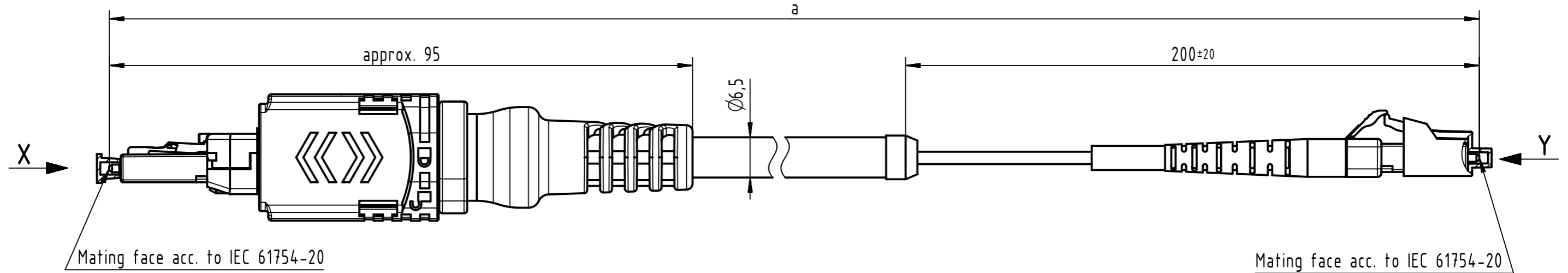


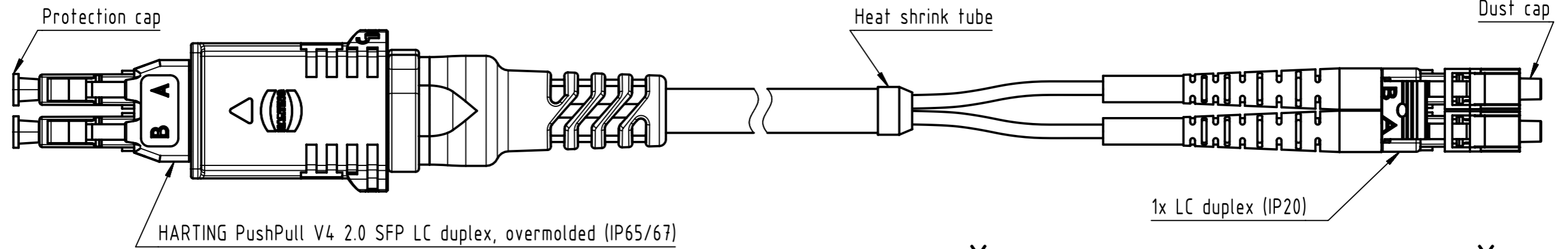
Connector Location A

Connector Location B



Mating face acc. to IEC 61754-20

Mating face acc. to IEC 61754-20

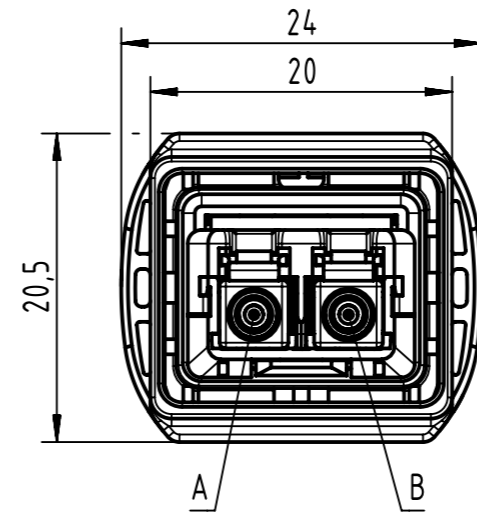
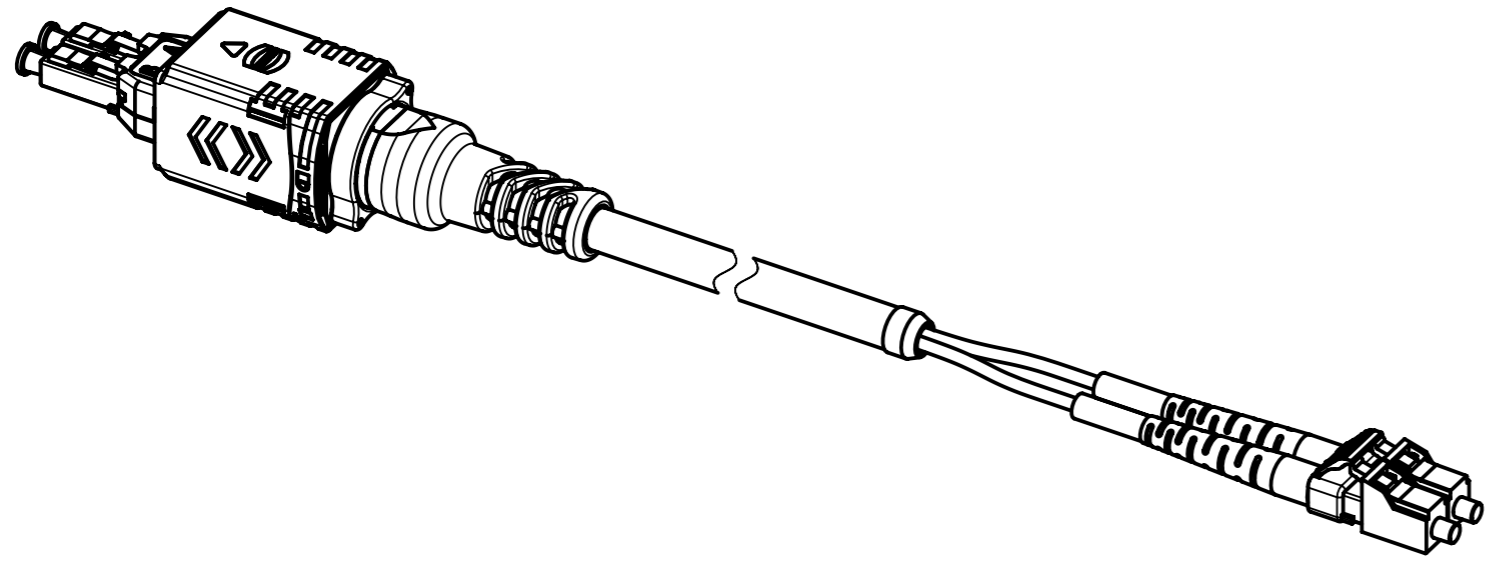


HARTING PushPull V4 2.0 SFP LC duplex, overmolded (IP65/67)

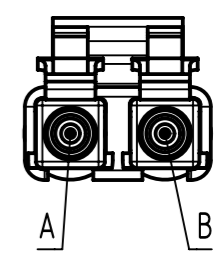
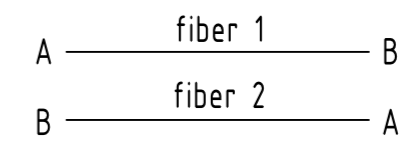
1x LC duplex (IP20)

X  
male  
(without protection cap)

Y  
male  
(without dust cap)




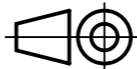

Loading Plan



- Temperature range: -40°C ... +85°C

All Dimensions in mm		Tech. Character.		Free size tol.		According to production drawing	
All rights reserved Department HCS - RO	Created by 402676 Gross	Inspected by 402676 Gross	Standardisation COSTEA Costea	Date 2022-08-31	State Final Release		
	Title FO CA PP2-LCdx, 50µ, OM3, PUR			Doc-Key / ECM-Nr. 100677880/UGD/009/F 500000219506		Rev. F	
HARTING Customised Solutions D-32339 Espelkamp		Type TB	Number 3361431XXX0002		Page 1/2		

1	2	3	4	5	6	7	8
A							
B							
C							
D							
E							
F							
27	3361431100002	FO Breakout Cable, MM, 50/125µm, PUR, black, bend tolerant OM3	100	±1%	 All rights reserved Department HCS - RO HARTING Customised Solutions D-32339 Espelkamp	Created by 402676 Gross Inspected by 402676 Gross Standardisation COSTEA Costea Date 2022-08-31 State Final Release Title FO CA PP2-LCdx, 50µ, OM3, PUR Type TB Number 3361431XXX0002 Doc-Key / ECM-Nr. 100677880/UGD/009/F 500000219506 Rev. F Page 2/2	
26	3361431090002		90				
25	3361431080002		80				
24	3361431070002		70				
23	3361431060002		60				
22	3361431050002		50				
21	33614310450002		45				
20	3361431040002		40				
19	33614310350002		35				
18	3361431030002		30				
17	33614310250002		25				
16	3361431020002		20				
15	33614310150002		15				
14	33614310140002		14				
13	33614310130002		13				
12	33614310120002		12				
11	33614310110002		11				
10	33614310100002		10				
9	33614310090002		9				
8	33614310080002		8				
7	33614310070002		7				
6	33614310060002		6				
5	33614310050002		5				
4	33614310040002		4				
3	33614310030002		3				
2	33614310020002		2				
1	33614310010002		1				
				±0.03			
Cont. no.	Part no.	Type of cable	Dim. a[m]				
1							

	All Dimensions in mm	Tech. Character.	Free size tol.	According to production drawing
	All rights reserved Department HCS - RO	Created by 402676 Gross	Inspected by 402676 Gross	Standardisation COSTEA Costea
		Date 2022-08-31	State Final Release	Doc-Key / ECM-Nr. 100677880/UGD/009/F 500000219506
		Title FO CA PP2-LCdx, 50µ, OM3, PUR	Rev. F	Page 2/2