

Phase inverter - with screwless terminals



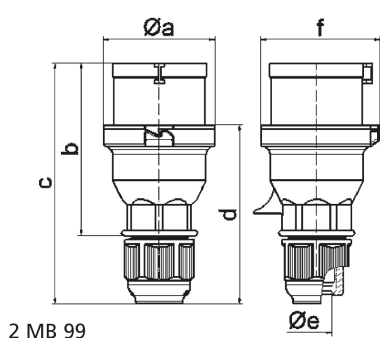
Product description	
BALS-Prd.-Nr	22053
EAN	4024941220538
Product category	Quick-Connect phase inverter Multi-Grip cable gland
Current	16A
Number of poles	4p
Arrangement of phases	3P+PE
Position of earth contact	6 h
Voltage	380 - 415V~
Frequency	50/60Hz

Product description	
Protection degree	IP44
Colour code	red RAL 3000
Colour of appliance	Collar red RAL 3000, Cable gland dark grey RAL 7012, Housing cover dark grey RAL 7012
Connection design	screwless spring-clamp technology
Maximum conductor size	2,5 qmm
Cable entry	Cable gland
Height	146mm
Width	60mm
Depth	65mm
Material of enclosure	Polyamide
Contacts	The contact carrier is made of polyamide, the contacts are brass nickel plated

Additional technical properties	
	Multi-Grip cable gland with gasket and integrated strain relief, Screwless housing connection with snap fastening, For cable diameter from 8 up to max. 18 mm

Logistics data	
Weight/pcs	0.15 kg / Piece
Packaging	Bag
Content amount	1 ST
EAN	4024941220538

Logistics data	
Length	65 mm
Width	60 mm
Height	146 mm
Weight	0.151 kg
Volume	569.4 ccm
Packaging	Carton
Content amount	10 ST
EAN	4024941961455
Length	275 mm
Width	175 mm
Height	137 mm
Weight	1.625 kg
Volume	5,737.5 ccm



Ampere	16	16	16	32	32	32
Polzahl	3	4	5	3	4	5
a ø	53,0	60,0	66,0	74,5	74,5	74,5
b	93,5	100,5	103,0	121,0	121,0	121,5
c	134,0	141,0	142,0	174,0	174,0	174,5
d	97,5	104,5	105,5	128,0	128,0	128,5
e ø	18,0	18,0	18,0	23,0	23,0	23,0
f	57,5	64,5	70,5	78,0	78,0	80,0
Leiter mm ² min	1	1	1	2,5	2,5	2,5
Leiter mm ² max	2,5	2,5	2,5	6	6	6