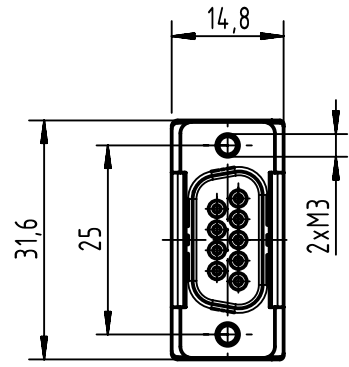
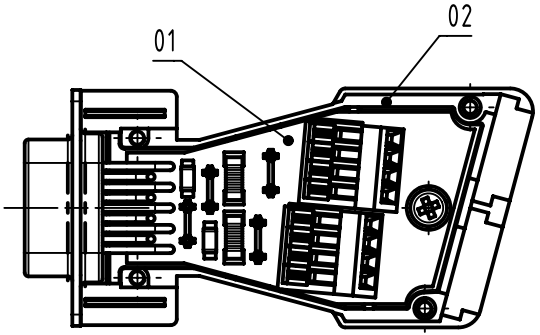
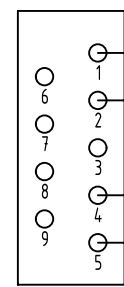


1 2 3 4 5 6

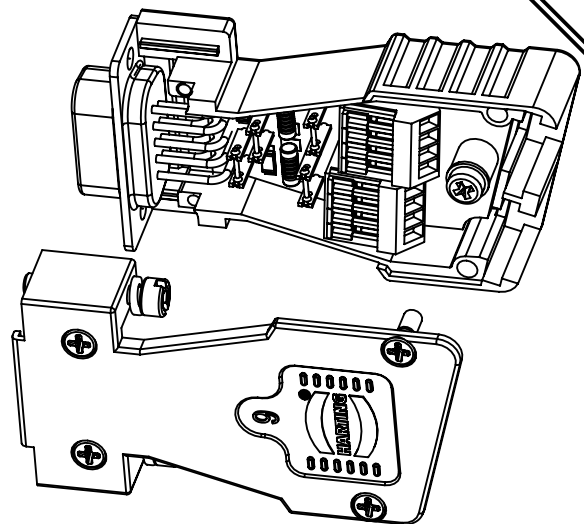
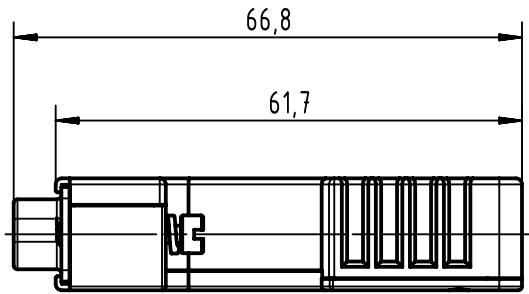
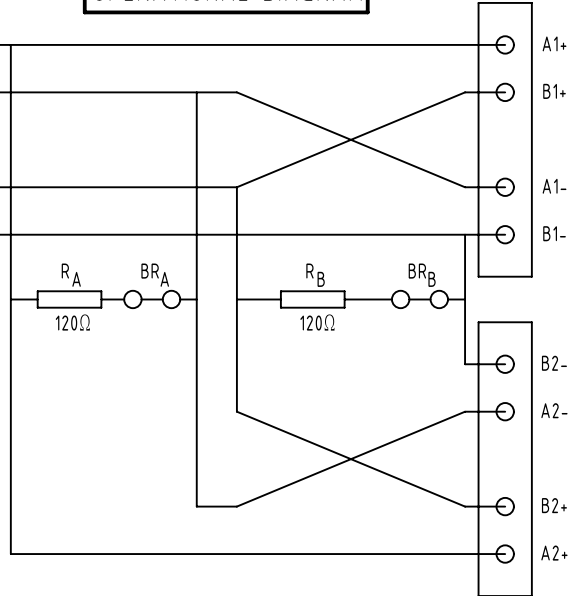
view without cover



D-Sub 9 poles



OPERATIONAL DIAGRAM



in set inclusive :

Number	Description
2	Crimp flange 6,5-7,5
2	Crimp ferrule 10,0-11,0
1	blanking piece 9-37
1	lable line A ,B
1	PCBA

6663 009 5222 777	PL2	Small batch
6663 009 5222	PL2	Standard batch
Part number	Performance level	Remark

	All rights reserved Department EL PD	All Dimensions in mm Original Size DIN A4		Scale 1:1	Free size tol.	Ref. Sub.
		Created by ZHUANGJ	Inspected by LUOK	Standardisation ROEBEN	Date 2021-08-04	State Final Release
HARTING D-32339 Espelkamp		Title InduCom 9 MVB/WTB female M3			Doc-Key / ECM-Nr. 100075722/UGD/005/D 500000200533	
		Type TB	Number 66630095222		Rev. D	Page 1/1