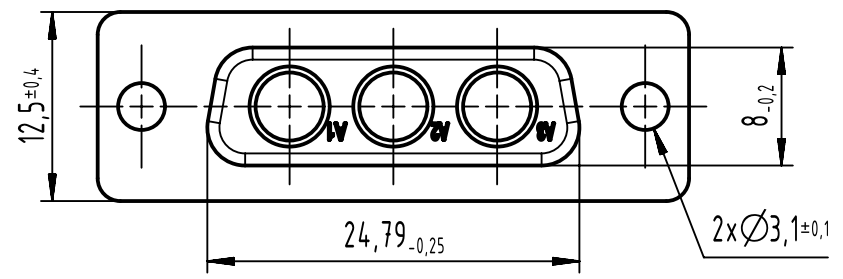
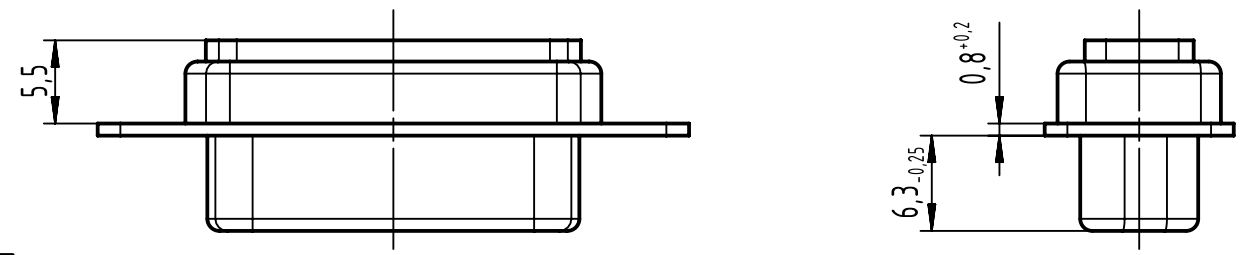


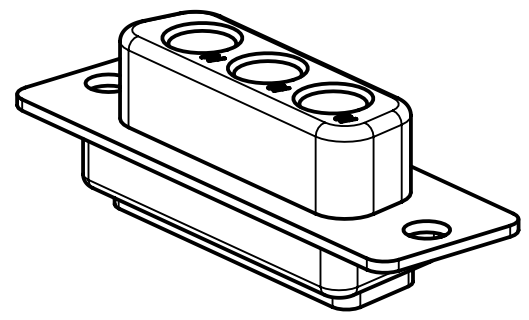
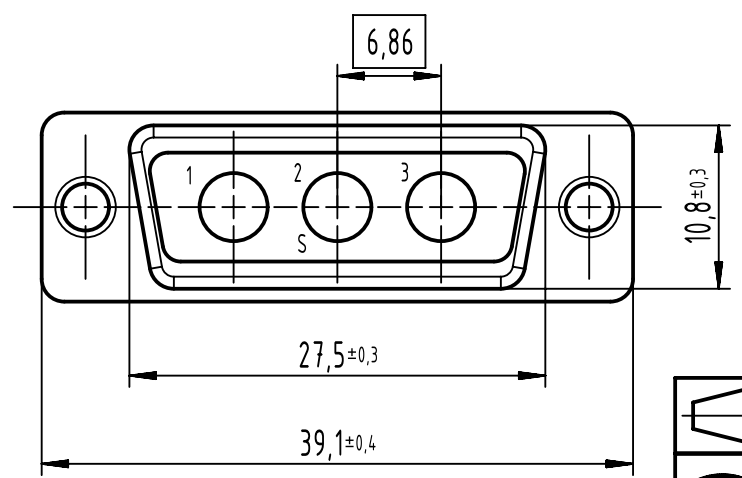
A



B



C



D

| | |
|-------------------|--------------|
| 0969 200 0033.500 | Non magnetic |
| 0969 200 0033 | |
| Part number | |

| | | | | | | |
|------------------------------|---|--|-----------------------|---------------------------|--|------------------------|
| | All rights reserved Department EL PD | All Dimensions in mm Original Size DIN A4 | | Scale 2:1 | Free size tol. | Ref. Sub. |
| | | Created by ZHUANGJ | Inspected by LUOK | Standardisation ROEBEN | Date 2024-03-04 | State Final Release |
| HARTING D-32339 Espelkamp | | Title D-SUB M 3W3 FE TH | | | Doc-Key / ECM-Nr. 100223096/UGD/002/B 500000264850 | |
| | | Type TB | Number 09692000033 | | Rev. B | Page 1/1 |