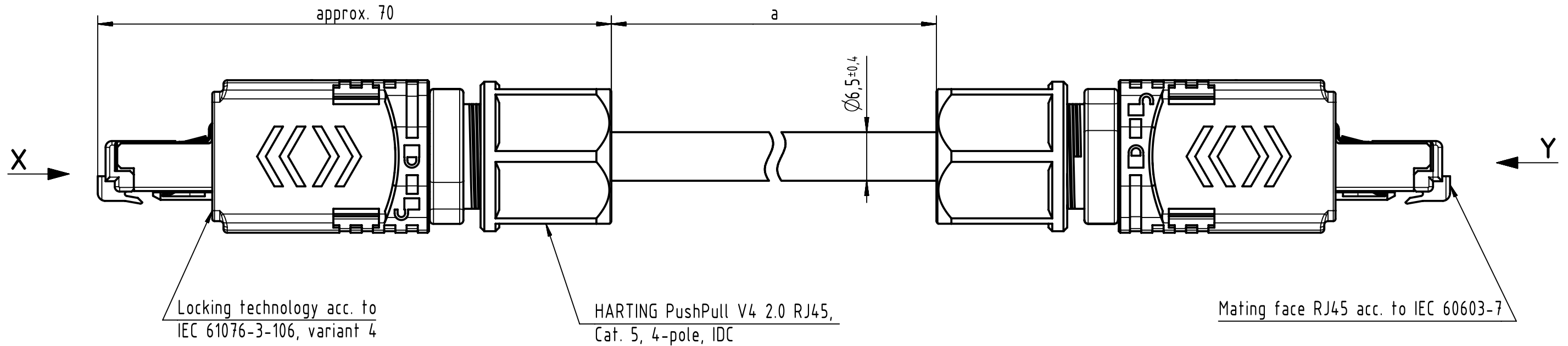


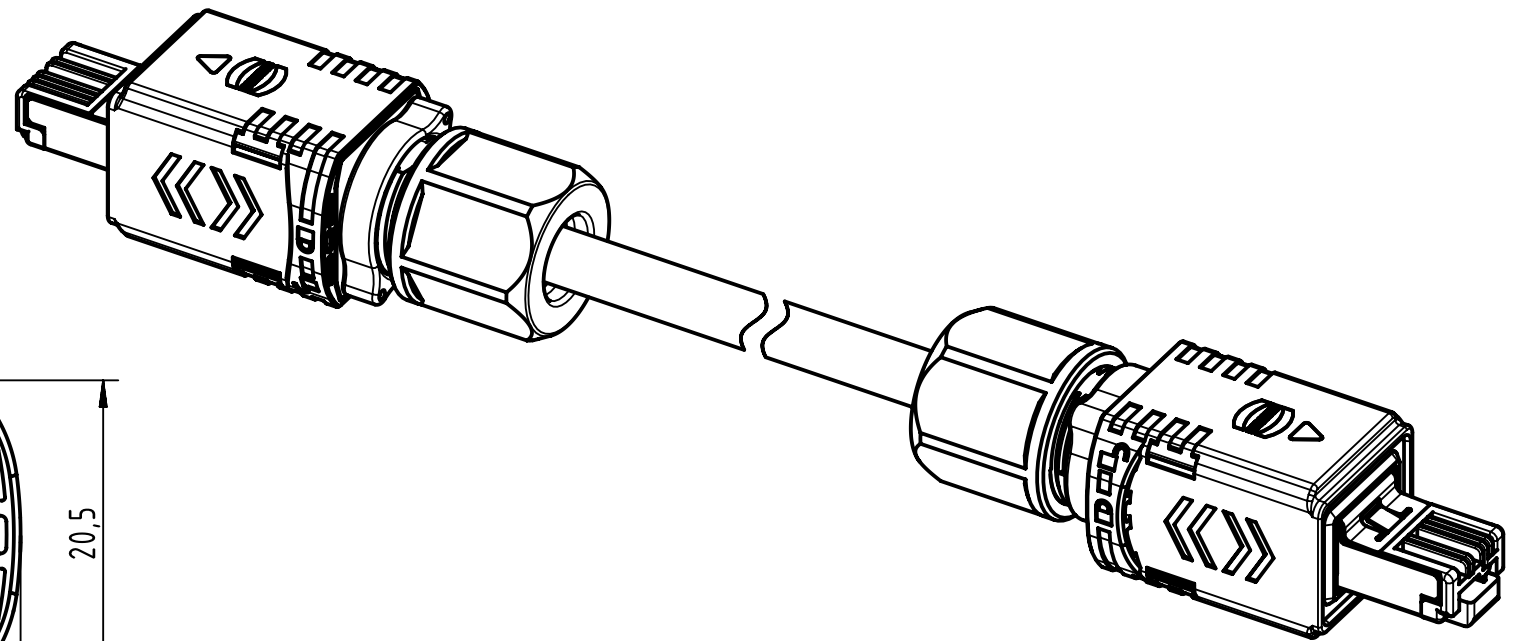
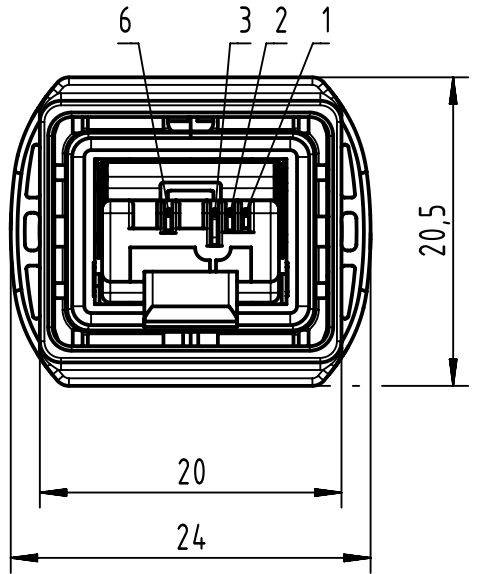
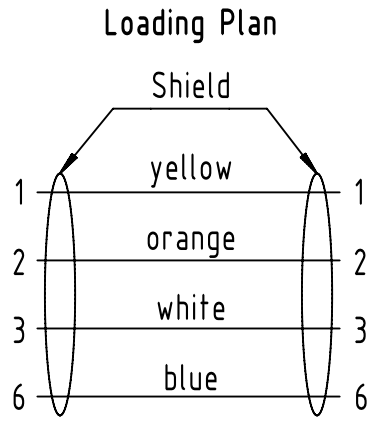
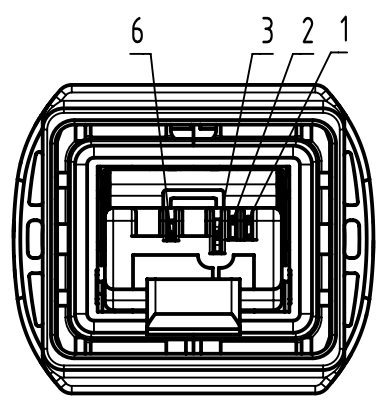
Connector Location A

Connector Location B



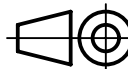

X male

Y male



- Protection level: IP65/67
 - Temperature range: -30°C ... +70°C

	All rights reserved		Created by COSTEA Costea		Inspected by 402676 Gross		Standardisation MUNTEANV Muntean		Date 2023-06-08		State Final Release	
	Department HCS - RO		Title HARTING PushPull RJ45 Cable Assembly		Type TB		Number 09473636XXX		Doc-Key / ECM-Nr. 100155480/UGD/008/F 500000245661		Rev. F Page 1/2	
HARTING Customised Solutions D-32339 Espelkamp			All Dimensions in mm Tech. Character. Free size tol. According to production drawing									

1	2	3	4	5	6	7	8						
A													
	49	094.73636044		100 ±1	93	094.73636088	100 ±1						
	48	094.73636043		90 ±0.9	92	094.73636087	90 ±0.9						
	47	094.73636042		80 ±0.8	91	094.73636086	80 ±0.8						
	46	094.73636041		70 ±0.7	90	094.73636085	70 ±0.7						
	45	094.73636040		60 ±0.6	89	094.73636084	60 ±0.6						
	44	094.73636039		50 ±0.5	88	094.73636083	50 ±0.5						
	43	094.73636038		40 ±0.4	87	094.73636082	40 ±0.4						
	42	094.73636037		30 ±0.3	86	094.73636081	30 ±0.3						
B	41	094.73636036		20 ±0.2	85	094.73636080	20 ±0.2						
	40	094.73636035		15 ±0.15	84	094.73636079	15 ±0.15						
	39	094.73636034	HAR PROFINET Typ B 4xAWG 22/7 PVC green	10 ±0.1	83	094.73636078	10 ±0.1						
	38	094.73636033		9 ±0.09	82	094.73636077	9 ±0.09						
	37	094.73636032		8 ±0.08	81	094.73636076	8 ±0.08						
	36	094.73636031		7 ±0.07	80	094.73636075	7 ±0.07						
	35	094.73636030		6 ±0.06	79	094.73636074	6 ±0.06						
	34	094.73636029		5 ±0.05	78	094.73636073	5 ±0.05						
	33	094.73636028		4 ±0.04	77	094.73636072	4 ±0.04						
	32	094.73636027		3 ±0.03	76	094.73636071	3 ±0.03						
C	31	094.73636026		2 ±0.02	75	094.73636070	2 ±0.02						
	30	094.73636025		1.5 ±0.015	74	094.73636069	1.5 ±0.015						
	29	094.73636024		1 ±0.01	73	094.73636068	1 ±0.01						
	28	094.73636023		0.5 ±0.01	72	094.73636067	0.5 ±0.01						
	27	094.73636022		100 ±1	71	094.73636066	100 ±1						
	26	094.73636021		90 ±0.9	70	094.73636065	90 ±0.9						
	25	094.73636093		85 ±0.85	69	094.73636064	80 ±0.8						
	24	094.73636020		80 ±0.8	68	094.73636063	70 ±0.7						
	23	094.73636019		70 ±0.7	67	094.73636062	60 ±0.6						
	22	094.73636092		65 ±0.65	66	094.73636061	50 ±0.5						
D	21	094.73636018		60 ±0.6	65	094.73636060	40 ±0.4						
	20	094.73636091		55 ±0.55	64	094.73636059	30 ±0.3						
	19	094.73636017		50 ±0.5	63	094.73636058	20 ±0.2						
	18	094.73636016		40 ±0.4	62	094.73636057	15 ±0.15						
	17	094.73636090		35 ±0.35	61	094.73636056	10 ±0.1						
	16	094.73636015		30 ±0.3	60	094.73636055	9 ±0.09						
	15	094.73636089		25 ±0.25	59	094.73636054	8 ±0.08						
	14	094.73636014	HAR PROFINET Typ A 4xAWG 22/1 PVC green	20 ±0.2	58	094.73636053	7 ±0.07						
	13	094.73636013		15 ±0.15	57	094.73636052	6 ±0.06						
	12	094.73636012		10 ±0.1	56	094.73636051	5 ±0.05						
E	11	094.73636011		9 ±0.09	55	094.73636050	4 ±0.04						
	10	094.73636010		8 ±0.08	54	094.73636049	3 ±0.03						
	9	094.73636009		7 ±0.07	53	094.73636048	2 ±0.02						
	8	094.73636008		6 ±0.06	52	094.73636047	1.5 ±0.015						
	7	094.73636007		5 ±0.05	51	094.73636046	1 ±0.01						
	6	094.73636006		4 ±0.04	50	094.73636045	0.5 ±0.01						
	5	094.73636005		3 ±0.03	Cont. no.	Part no.	Type of cable	Dim. a[m]					
	4	094.73636004		2 ±0.02	 All Dimensions in mm Tech. Character. Free size tol. According to production drawing			 All rights reserved Department HCS - RO	Created by	Inspected by	Standardisation	Date	State
	3	094.73636003		1.5 ±0.015					Title HARTING PushPull RJ45 Cable Assembly Type TB Number 094.73636XXX			Doc-Key / ECM-Nr.	Rev.
	2	094.73636002		1 ±0.01	HARTING Customised Solutions D-32339 Espelkamp			100155480/UGD/008/F 50000245661	F	2/2			
	1	094.73636001		0.5 ±0.01									
F	Cont. no.	Part no.	Type of cable	Dim. a[m]									
	1												