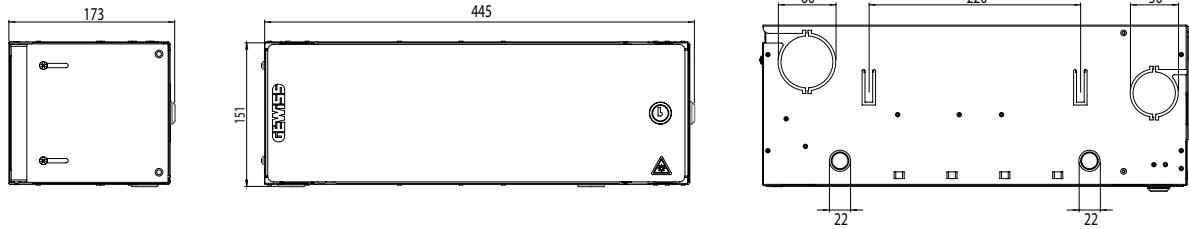
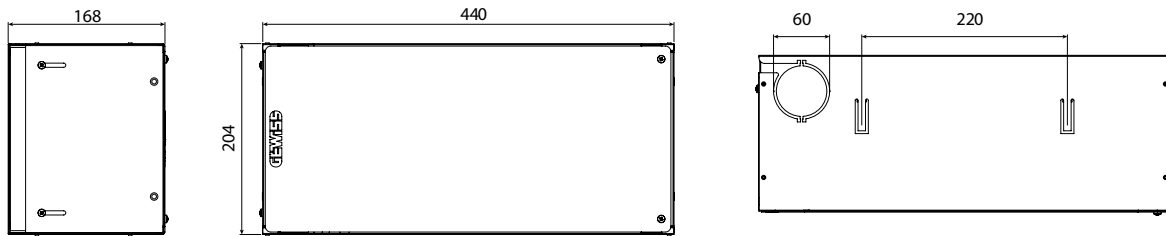


Components for fiber optic wiring - Dimension tables

OPTICAL SERVICES CABINETS

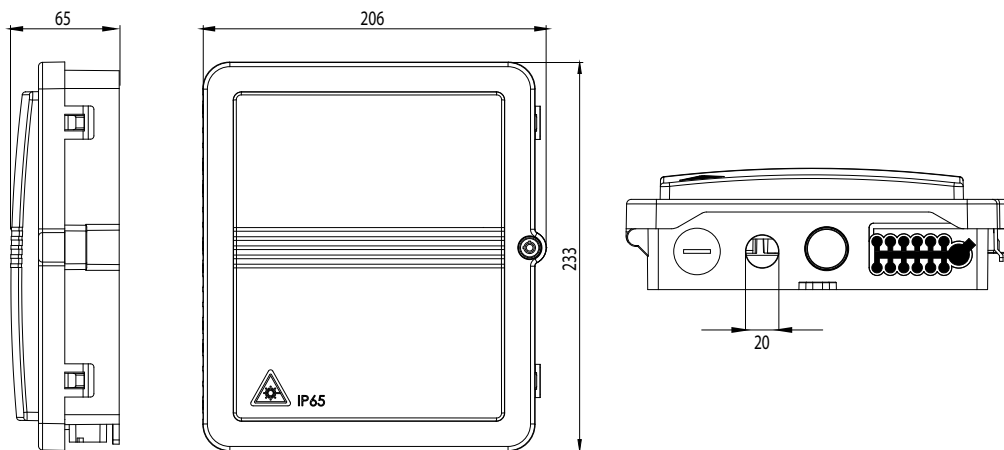


Building optical services cabinet **GW 38 303**



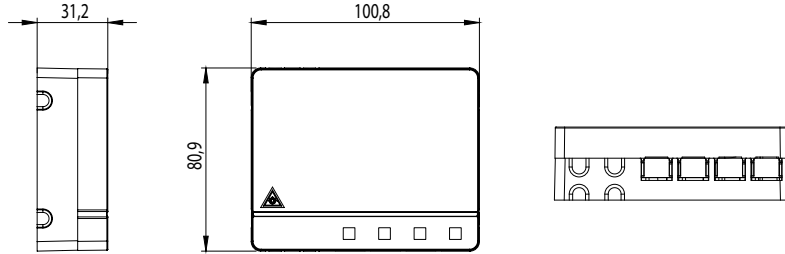
Cable management cabinet **GW 38 302**

BUILDING FIBER TERMINATION BOX

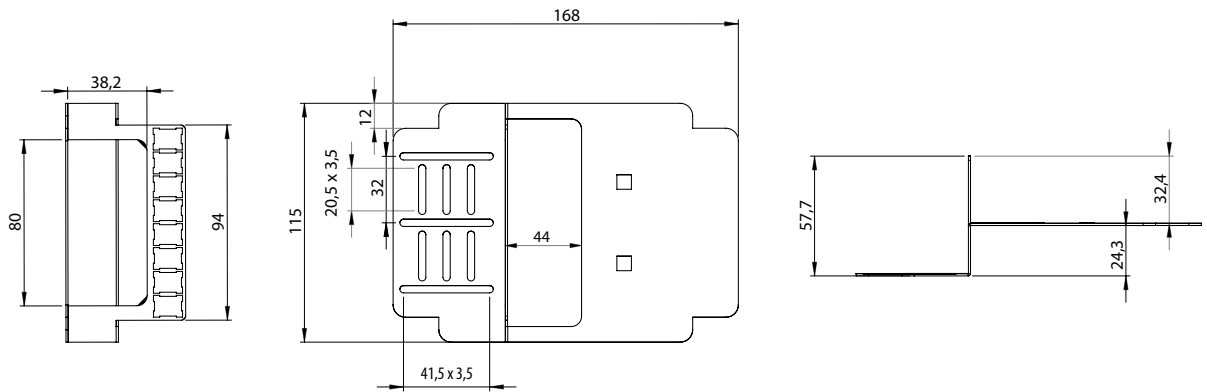


Termination box **GW 38 331**

APARTMENT TERMINATION BOXES

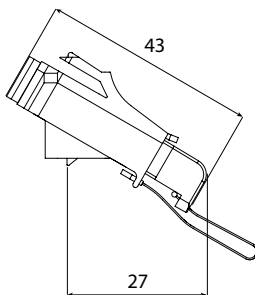


- Compact termination box **GW 38 338**
- Compact termination box with 15m long cable **GW 38 372**
- Compact termination box with 30m long cable **GW 38 373**
- Compact termination box with 50m long cable **GW 38 374**
- Compact termination box with 65m long cable **GW 38 375**
- Compact termination box with 80m long cable **GW 38 376**
- Compact termination box with 100m long cable **GW 38 377**

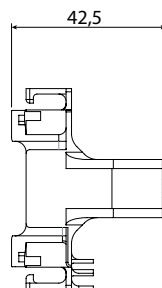


Metal termination box **GW 38 339**

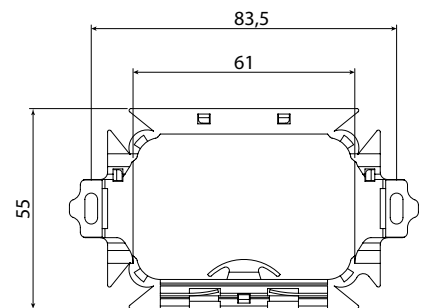
ADAPTERS AND ACCESSORIES



Angled SC/APC adapter **GW 38 335**



Splice holder cable spool **GW 38 334**

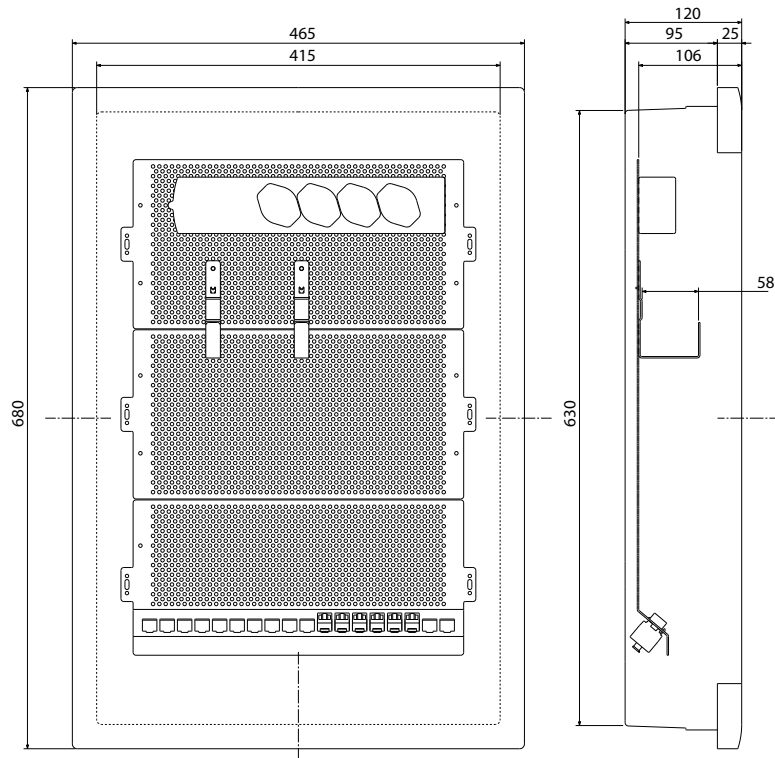


MULTIMEDIA DISTRIBUTION BOARDS

FULL VERSION - 54 MODULES

Front cover **GW 40 390 F**

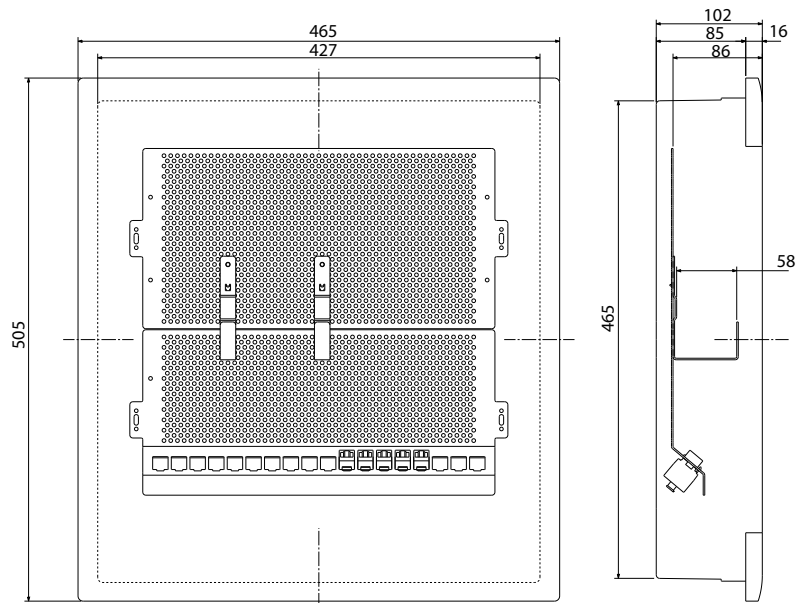
Back-mounting box **GW 40 689 PM**



COMPACT VERSION - 36 MODULES

Front cover **GW 40 390 C**

Back-mounting box **GW 40 688 PM**

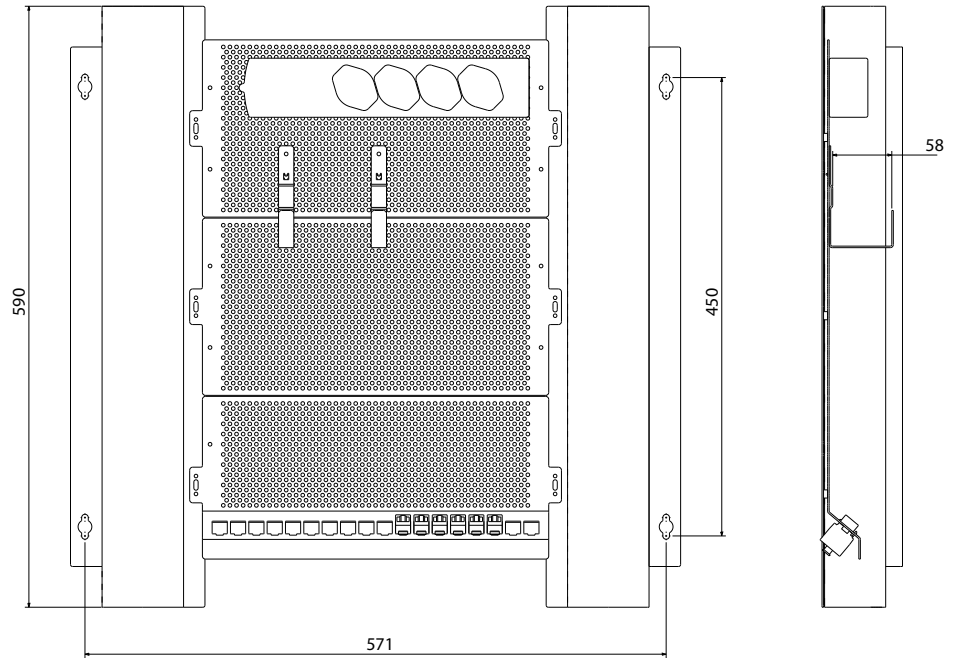


MULTIMEDIA DISTRIBUTION BOARDS

DOMO CENTER VERSION

Full version **GW N1 031 F**

Finishing panel **GW N1 122 XB**



General characteristics

Item	Description	Material	Finish	Thickness	IP degree	Static load capacity
10" wall mount rack cabinets	Structure	Sheet steel UNI EN 10130	Powder coated	1.2 mm	IP20	15 Kg
	Side panels	Sheet steel UNI EN 10130	Powder coated	1.2 mm		
	Front door ⁽¹⁾	Sheet steel UNI EN 10130	Powder coated	1.2 mm		
		Smoked gray glass	Tempered UNI EN 1288-3	4 mm		
Uprights ⁽²⁾	Sheet steel UNI EN 10346	Galvanized	1.5 mm			

Item	Description	Material	Finish	Thickness	IP degree	Static load capacity
19" wall mount rack cabinets	Structure	Sheet steel UNI EN 10130	Powder coated	1.2 mm	IP20	50 Kg
	Roof plate and base	Sheet steel UNI EN 10130	Powder coated	1.2 mm		
	Side panels	Sheet steel UNI EN 10130	Powder coated	1.2 mm		
	Rear panel	Sheet steel UNI EN 10130	Powder coated	1.2 mm		
	Front door ⁽¹⁾	Sheet steel UNI EN 10130	Powder coated	1.2 mm		
		Smoked gray glass	Tempered UNI EN 12150-1	4 mm		
	Uprights ⁽²⁾	Sheet steel UNI EN 10346	Galvanized	1.5 mm		
Bracket for wall mount	Sheet steel UNI EN 10346	Galvanized	1.2 mm			

Item	Description	Material	Finish	Thickness	IP degree	Static load capacity
19" floor rack cabinets	Structure	Sheet steel UNI EN 10130	Powder coated	1.5 mm	IP20	1000 Kg
	Roof plate and base	Sheet steel UNI EN 10130	Powder coated	1.5 mm		
	Side panels	Sheet steel UNI EN 10130	Powder coated	1 mm		
	Rear panel	Sheet steel UNI EN 10130	Powder coated	1 mm		
	Front door ⁽¹⁾	Sheet steel UNI EN 10130	Powder coated	1.2 mm		
		Smoked gray glass	Tempered UNI EN 1288-3	4 mm		
Uprights ⁽³⁾	Sheet steel UNI EN 10346	Galvanized	2 mm			
Plinths for floor rack cabinets	Plate	Sheet steel UNI EN 10130	Powder coated	1.2 mm	-	
	Corner	Sheet steel UNI EN 10130	Powder coated	1.5 mm		

(1) Movable and reversing 135° (for wall mount rack cabinets) or 180° (for floor rack cabinets) opening door

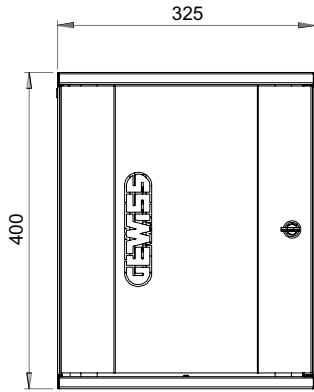
(2) A pair of Uprights (front side)

(3) Two pair of Uprights (front and rear side) for 800x800mm and 800x1000mm floor rack cabinets - A pair of Uprights (front side) for 600x600mm floor rack cabinets

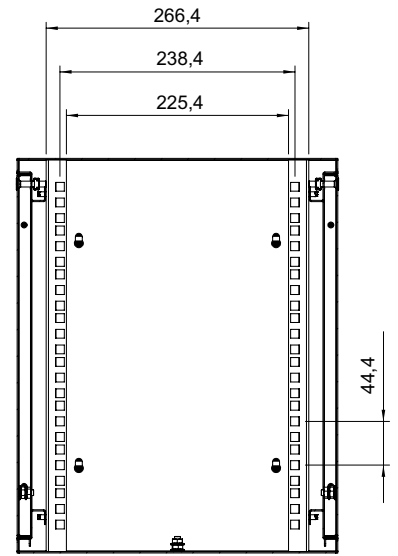
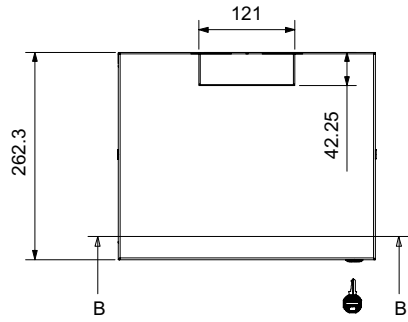
On the base, front door and panels are located copper pins and faston terminals for earthing, according to EN 50310.

Dimension tables

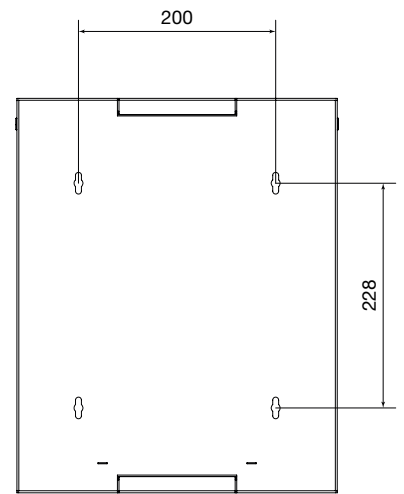
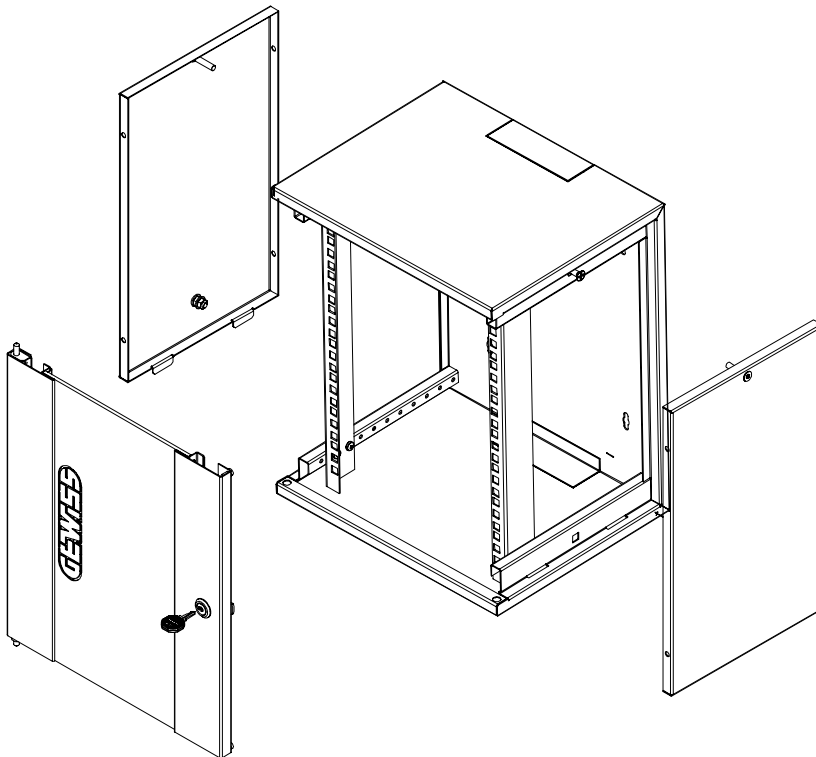
10" WALL MOUNT RACK CABINET



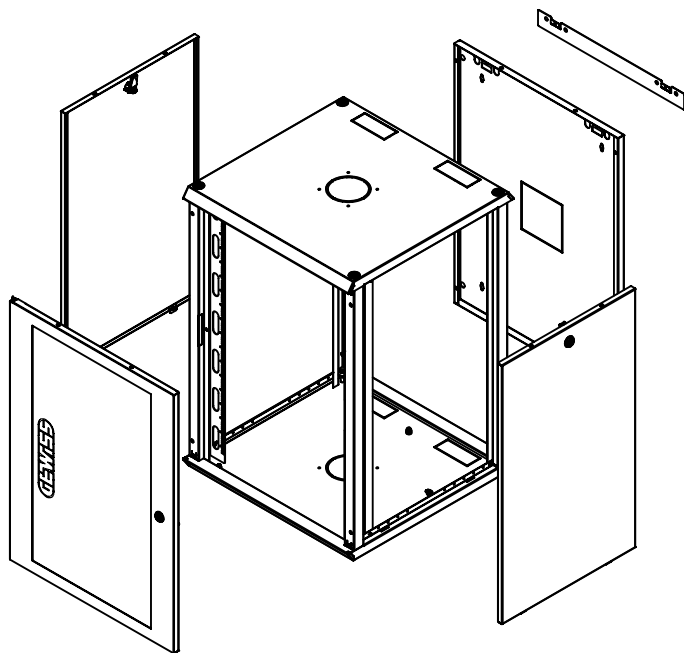
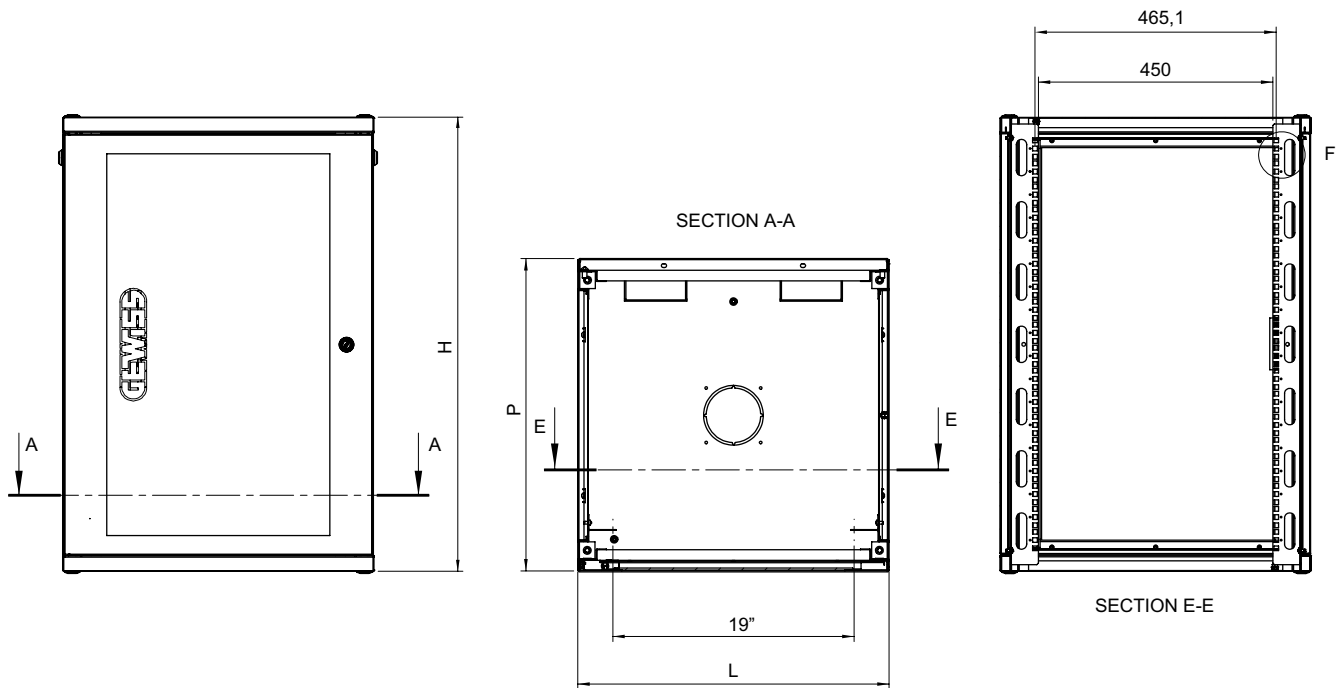
GW 38 432



SECTION B-B



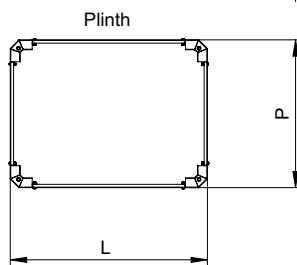
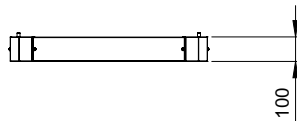
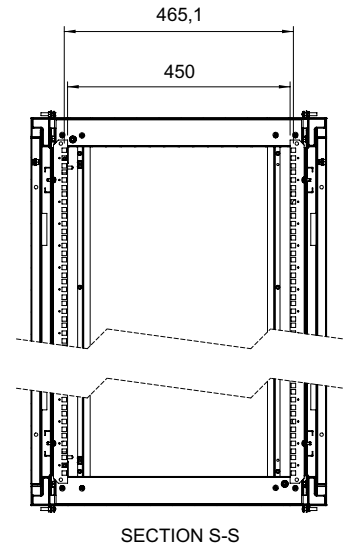
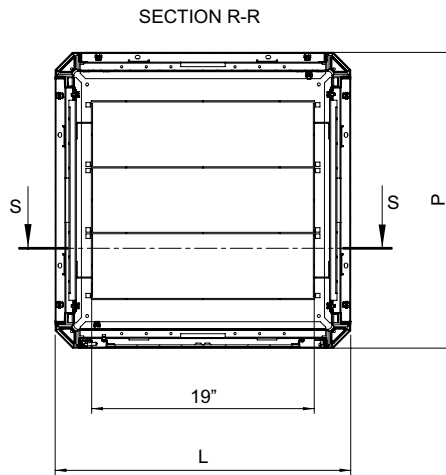
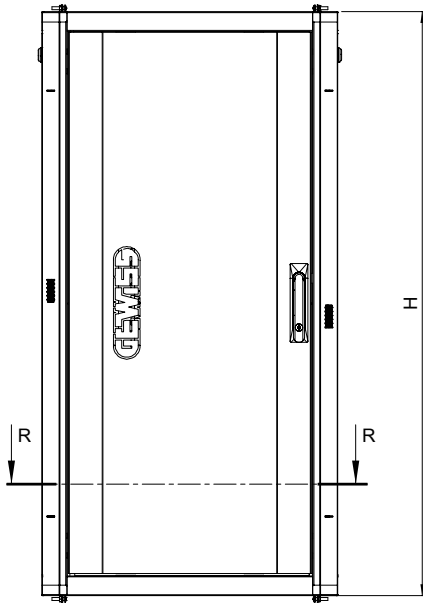
19" WALL MOUNT RACK CABINETS



Code	H	L	P	Rack units
GW 38 406	335	600	400	6
GW 38 407	470	600	400	9
GW 38 408	605	600	400	12
GW 38 409	740	600	400	15
GW 38 418	605	600	600	12
GW 38 419	740	600	600	15

19" FLOOR RACK CABINETS

Codice	H	L	P	Rack units
GW 38 451	1185	600	600	24
GW 38 452	1485	600	600	30
GW 38 453	1985	600	600	42
GW 38 461	1185	800	800	24
GW 38 462	1485	800	800	30
GW 38 463	1985	800	800	42
GW 38 464	1985	800	1000	42



Code	L	P
GW 38 480	600	600
GW 38 481	800	800
GW 38 482	800	1000

