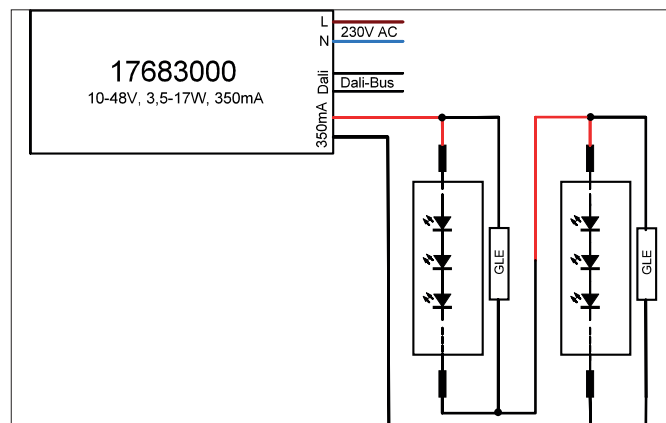


LED converter 350 mA, DALI dimmable (digital)

Article no. 17683000

Light.
For Generations.**Tender**

LED converter 350 mA, DALI dimmable (digital). This driver fulfills the requirements for safety lighting systems in accordance with DIN EN 50172 VDE 0108-100:2005-01. This converter is equipped with safety devices which protect it against overvoltage, short-circuit as well as thermal and electric overloads. The input and output terminals are suitable for cables with a cross-section of up to 0.75-1.5 mm². Material: Plastic, Degree of protection: according to DIN EN 60529 IP20, Protection class: (EN 61140) II, Current: 350 mA, Voltage: 230V AC 50Hz, Power: 17W, Control: DALI-2.

Article data	
Article no.	17683000
GTIN	4251433923893
Short description	LED converter 350 mA, DALI dimmable (digital)
Material	Plastic
Length	110 mm
Width	52 mm
Height	22 mm
Scope of delivery	Plug&Play version with 110 mm P&P output cable
Weight	0.112 kg

LED converter 350 mA, DALI dimmable (digital)

Article no. 17683000

Light.
For Generations.

Operating technology of driver	
AC nominal voltage min	110 V
AC nominal voltage max	240 V
DC nominal voltage min	176 V
DC nominal voltage max	280 V
Current	350 mA
Protection class	II
Degree of protection	IP20
Starting current	5A 50 μ s
Power min	3.5 W
Power	17 W
Control	DALI-2
Environment temperature (ta)	-25 °C bis +45 °C
Measure point (tc)	max. +75 °C
Version	Plug&Play

Packing data	
Gross weight	0.133 kg
Length of packaging	60 mm
Packaging width	27 mm
Packaging height	150 mm
Disposal at end of life	This product must not be disposed of with household waste. You are obliged, to dispose of such electrical waste separately. By disposing of electrical waste and other old or defective electronics separately, you support recycling or other forms of re-use. In that way you help to take care and to avoid that harmful substances get into the environment.