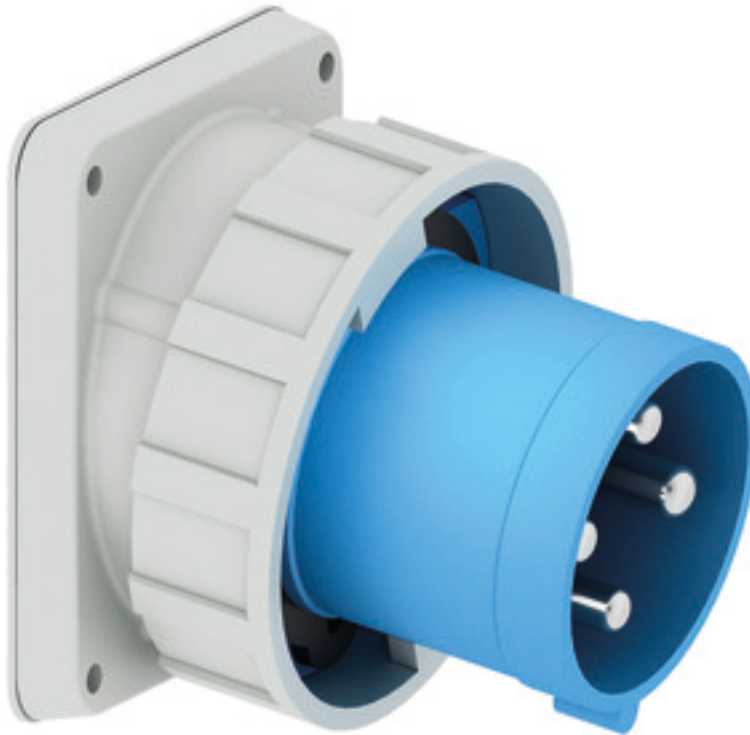


## Panel mounting appliance inlet, angled - flange 130x120, fixing centers 108x100

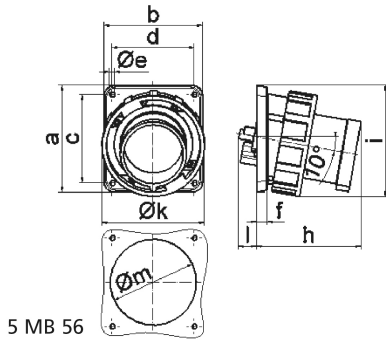


Product description	
BALS-Prd.-Nr	2739
EAN	4024941027397
Product category	TE panel mounting appliance inlet, angled
Current	125A
Number of poles	4p
Poles	3P+PE
Position of earth contact	9 h
Voltage	200 up to 250V

Product description	
Frequency	50 and 60Hz
Protection degree	IP67
Colour code	blue RAL 5015
Colour of appliance	Collar blue RAL 5015, Bayonet ring grey RAL 7035, Enclosure grey RAL 7035
Connection design	screw terminal as box terminal
Maximum conductor size	50.0 qmm
Cable entry	other
Height	125mm
Width	136mm
Depth	150mm
Flange size vertical	130mm
Flange size horizontal	120mm
Drill hole distance vertical	108mm
Drill hole distance horizontal	100mm
Material of enclosure	Polyamide
Contact	The contact carrier is made of high temperature resistant material, the contacts are brass nickel plated

Additional technical properties	
	The inclination is 10°

Logistics data	
Weight/pcs	1.005 kg / Piece
Packaging	Bag
Content amount	1 ST
EAN	4024941027397
Length	150 mm
Width	136 mm
Height	125 mm
Weight	1.006 kg
Volume	2,550 ccm
Packaging	Carton
Content amount	5 ST
EAN	4024941834018
Length	330 mm
Width	216 mm
Height	260 mm
Weight	5.251 kg
Volume	17,062.5 ccm



5 MB 56

Ampere	125	125	125			
Polzahl	3	4	5			
a	130,0	130,0	130,0			
b	120,0	120,0	120,0			
c	108,0	108,0	108,0			
d	100,0	100,0	100,0			
e ø	6,5	6,5	6,5			
f	13,0	13,0	13,0			
h	130,0	130,0	130,0			
i	135,0	135,0	135,0			
k	126,0	126,0	126,0			
l	23,0	23,0	23,0			
m ø	105,0	105,0	105,0			
Leiter mm <sup>2</sup> min	16	16	16			
Leiter mm <sup>2</sup> max	50	50	50			