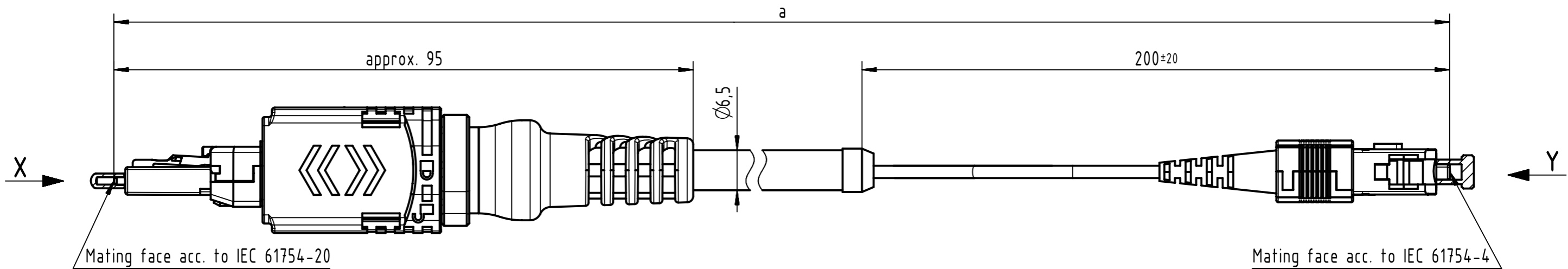


Connector Location A

Connector Location B



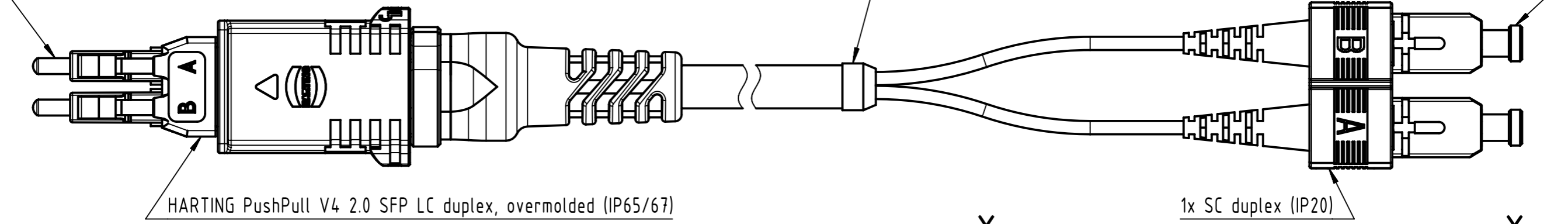
Mating face acc. to IEC 61754-20

Mating face acc. to IEC 61754-4

Protection cap

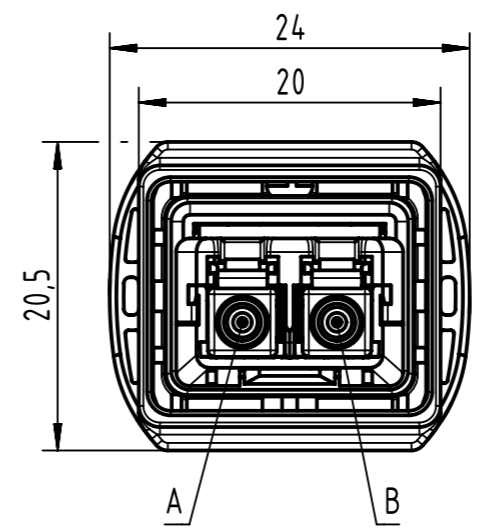
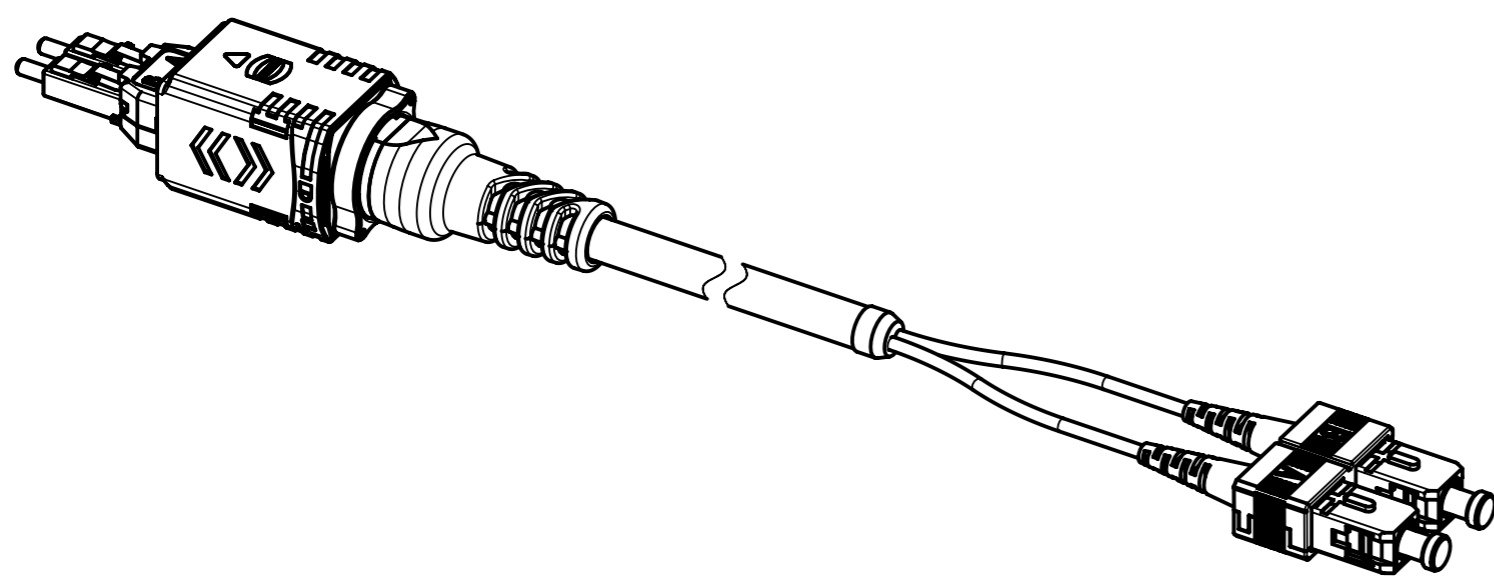
Heat shrink tube

Protection cap

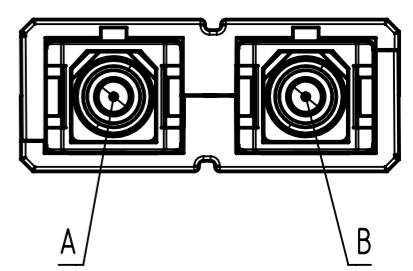
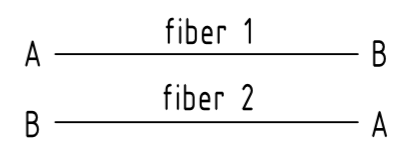


X
male
(without protection cap)

Y
male
(without protection cap)




Loading Plan




- Temperature range: -40°C ... +85°C

All Dimensions in mm		Tech. Character.		Free size tol.		According to production drawing	
	All rights reserved		Created by COSTEA Costea	Inspected by 402676 Gross	Standardisation MUNTEANV Muntean	Date 2021-02-23	State Final Release
	Department HCS - RO		Title FO CA PP2-SCdx, 50µ, OM3, PUR				Doc-Key / ECM-Nr. 100677832/UGD/009/E 500000189720
HARTING Customised Solutions D-32339 Espelkamp			Type TB	Number 3361431XXX0005		Rev. E	Page 1/2

1	2	3	4	5	6	7	8	
A								A
B								B
C	27	3361431100005	FO Breakout Cable, MM, 50/125µm, PUR, black, bend tolerant OM3	100				C
	26	33614310900005		90				
	25	33614310800005		80				
	24	33614310700005		70				
	23	33614310600005		60				
	22	33614310500005		50				
	21	33614310450005		45				
	20	33614310400005		40				
	19	33614310350005		35				
	18	33614310300005		30				
D	17	33614310250005		25				D
	16	33614310200005		20				
	15	33614310150005		15				
	14	33614310140005		14				
	13	33614310130005		13				
	12	33614310120005		12				
E	11	33614310110005		11				E
	10	33614310100005		10				
	9	33614310090005		9				
	8	33614310080005		8				
	7	33614310070005		7				
	6	33614310060005		6				
	5	33614310050005		5				
	4	33614310040005		4				
F	3	33614310030005		3				F
	2	33614310020005		2				
	1	33614310010005		1				
	Cont. no.	Part no.	Type of cable	Dim. a[m]				

	All rights reserved		Created by COSTEA Costea		Inspected by 402676 Gross		Standardisation MUNTEANV Muntean		Date 2021-02-23		State Final Release	
	Department HCS - RO		Title FO CA PP2-SCdx, 50µ, OM3, PUR				Doc-Key / ECM-Nr. 100677832/UGD/009/E 500000189720		Rev. E		Page 2/2	

 All Dimensions in mm Tech. Character. Free size tol. According to production drawing

HARTING Customised Solutions Type TB Number 3361431XXX0005 D-32339 Espelkamp