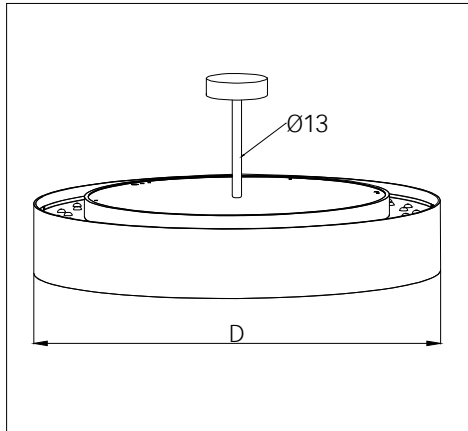


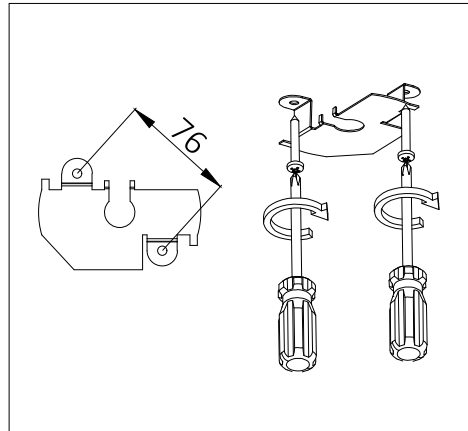
RINGO STAR COMPACT G5/P5 | SUSPENDED

-TUBE SUSPENSION

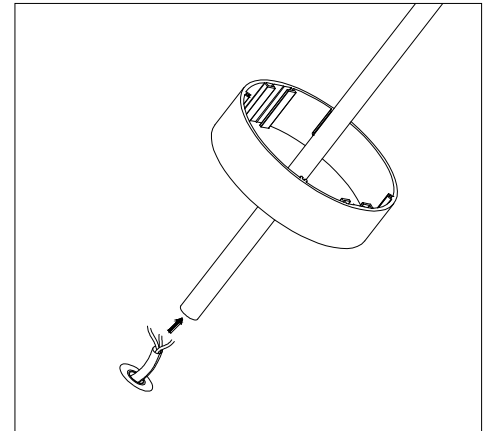
1. MONTAGE UND INSTALLATION | MOUNTING AND INSTALLATION:



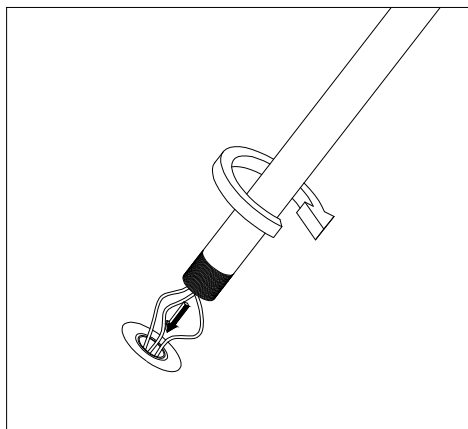
1. Bei allen Montagearbeiten Handschuhe tragen.
 Use gloves when handling the fixture.



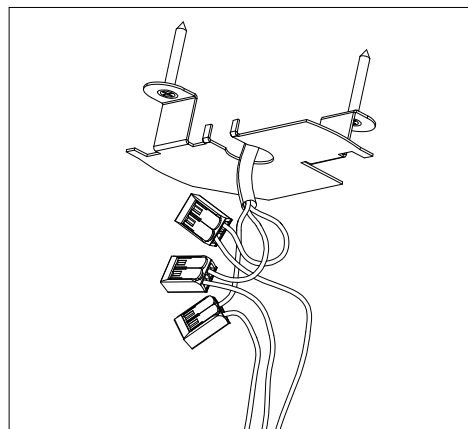
2. Montageöffnungen.
 Installation openings.



3.

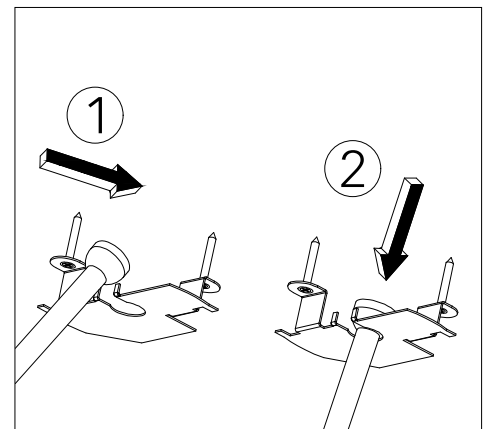


4.

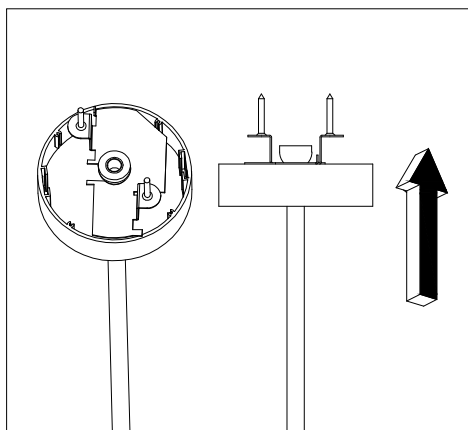


5.

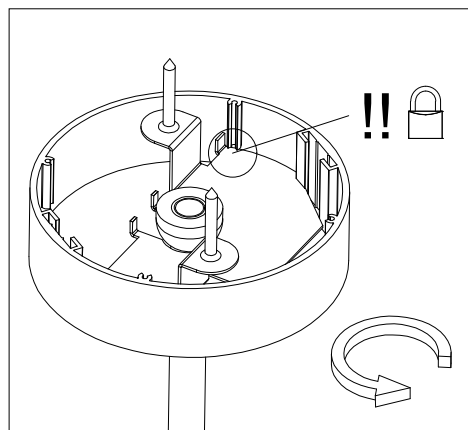
- min/max stripped wire length: 7mm-10mm
 - max power supply cable: 1,5mm²



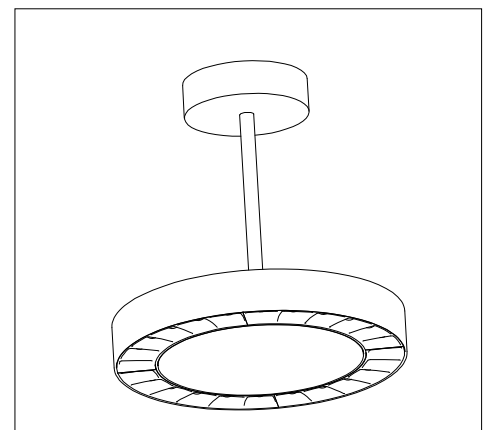
6.



7.



8.



9.