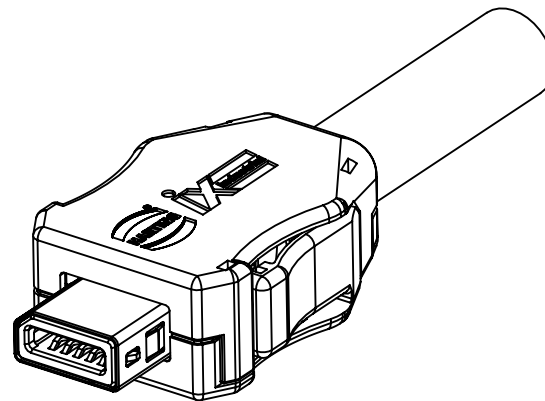
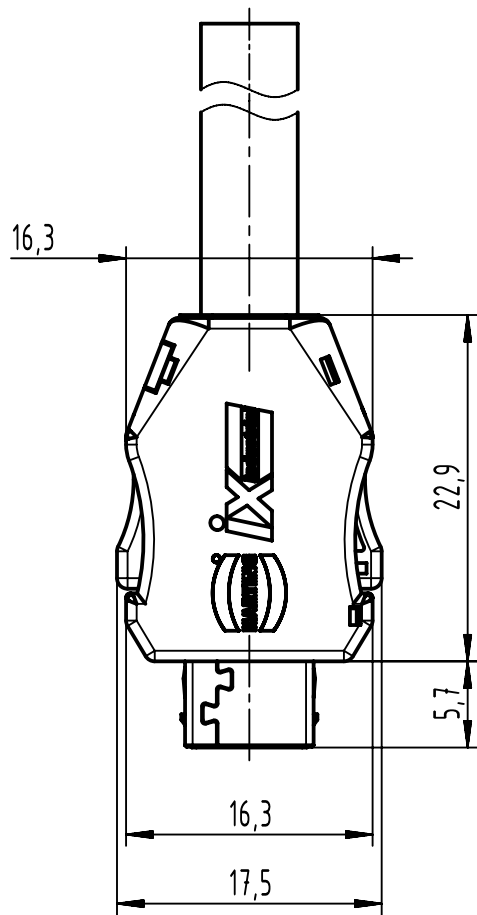


Applicable cable

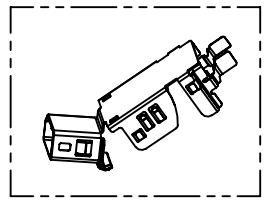
Items	Applicable condition
Conductor size	AWG 24
Insulation O.D.	Ø1.1 to 1.25 mm
Braid Shield	Tin plating
Sheath O.D.	Ø5.5mm - Ø7.2mm



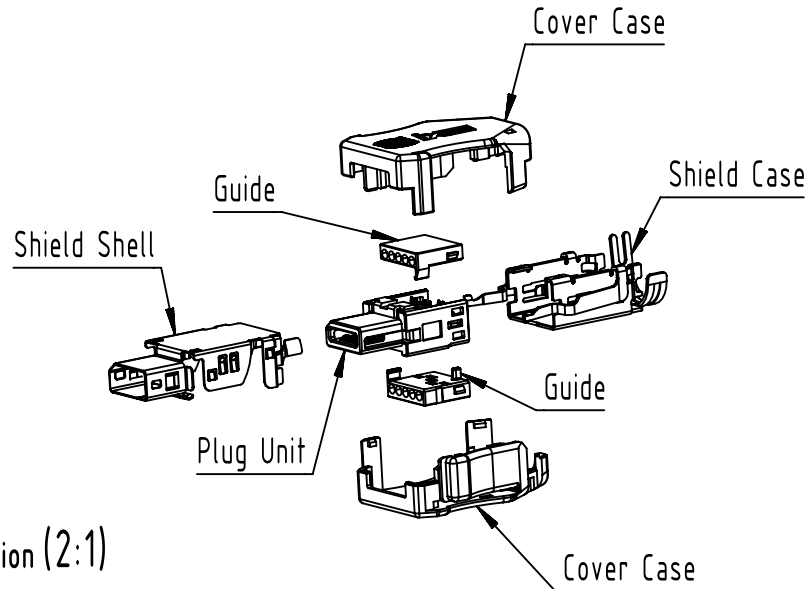
Contact material: copper alloy
 Contact area: Gold 0.2µm min.
 Wiring area: Gold 0.03µm min.
 Under plating: Nickel 2µm min.

	All Dimensions in mm Original Size DIN A4		Scale 2:1	Free size tol.		Ref.
						Sub.
	All rights reserved		Created by SERBANA	Inspected by PREOTU	Standardisation ROEBEN	Date 2022-05-06
	Department EL PD		Title ix Industrial 10B-1 plug SL-I24			State Final Release
HARTING D-32339 Espelkamp			Type TB	Number 09451819002		Doc-Key / ECM-Nr. 100791030/UGD/000/C 500000215569
					Rev. C	Page 1/2

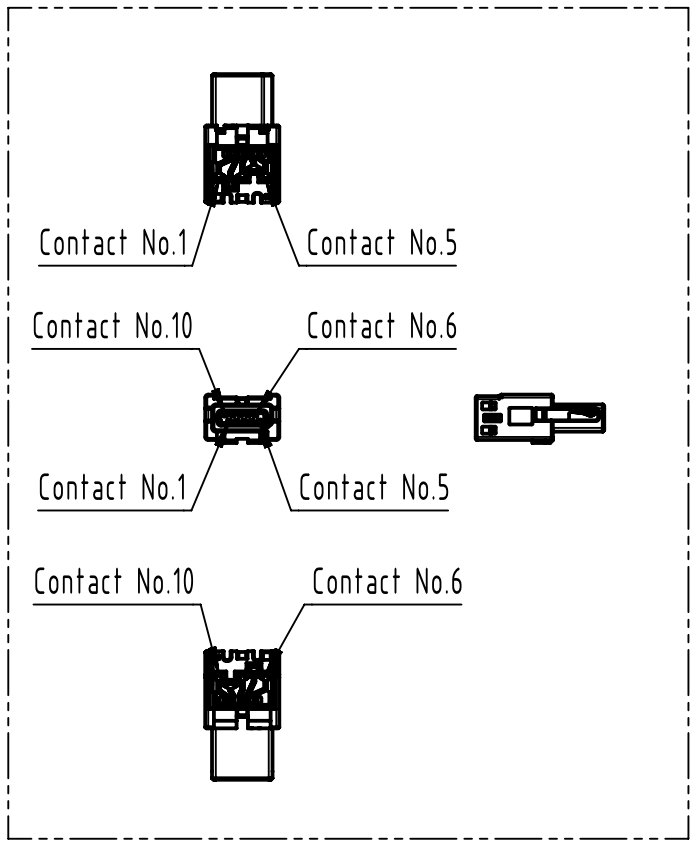
Shield Shell delivery form



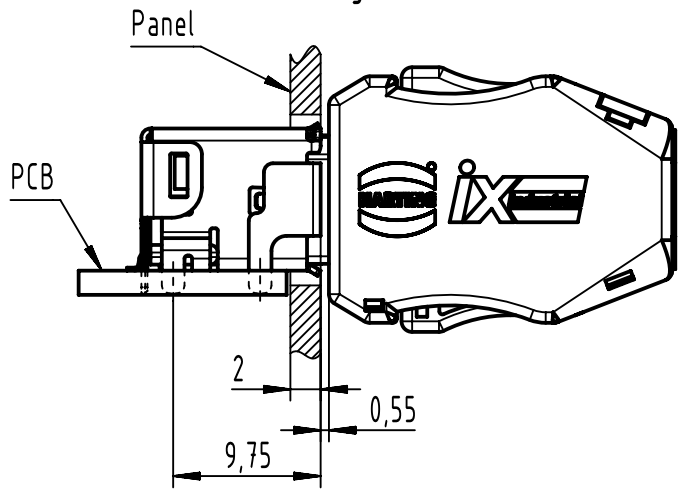
Product Structure



Plug Unit



Mating Condition (2:1)



	All Dimensions in mm Original Size DIN A4	Scale 1:1	Free size tol.		Ref.	
	All rights reserved Department EL PD	Created by SERBANA	Inspected by PREOTU	Standardisation ROEBEN	Date 2022-05-06	State Final Release
HARTING D-32339 Espelkamp		Title ix Industrial 10B-1 plug SL-I24			Doc-Key / ECM-Nr. 100791030/UGD/000/C 500000215569	
		Type TB	Number 09451819002		Rev. C	Page 2/2