

Plug - with screwless terminals, for harsh applications



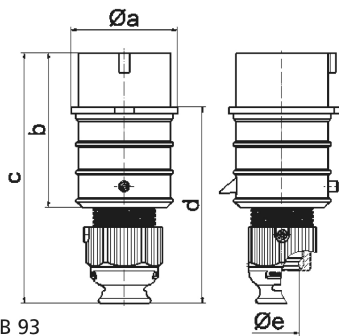
Product description	
BALS-Prd.-Nr	210179
EAN	4024941100168
Product category	QUICK-CONNECT TE plug
Current	16A
Number of poles	5p
Poles	3p+N+PE
Position of earth contact	10 h
Voltage	> 50V
Frequency	100 up to 300Hz

Product description	
Protection degree	IP44
Colour code	green RAL 6002
Colour of appliance	Cable gland grey RAL 7035, Housing cover green RAL 6002, Collar green RAL 6002
Connection design	screwless spring-clamp
Maximum conductor size	2,5 qmm
Cable entry	Cable gland
Height	154mm
Width	65mm
Depth	74mm
Material of enclosure	Polyamide
Contact	The contact carrier is made of high temperature resistant material, the contacts are brass nickel plated

Additional technical properties	
	For cable diameter from 10 up to max. 21 mm, Multi-Grip cable gland with gasket, integrated cable clamp and additional water evacuation openings

Logistics data	
Weight/pcs	0.181 kg / Piece
Packaging	Bag
Content amount	1 ST
EAN	4024941100168

Logistics data	
Length	74 mm
Width	65 mm
Height	154 mm
Weight	0.182 kg
Volume	740.74 ccm
Packaging	Carton
Content amount	10 ST
EAN	4024941831727
Length	245 mm
Width	177 mm
Height	185 mm
Weight	1.943 kg
Volume	7,140 ccm



Ampere	16	16	16	32	32	32
Polzahl	3	4	5	3	4	5
a ø	51,0	57,5	65,0	66,0	66,0	72,0
b	95,0	95,0	97,0	118,0	118,0	117,0
c	145,0	145,0	152,0	178,0	178,0	181,0
d	109,0	109,0	116,0	133,0	133,0	135,5
e ø	18,0	18,0	21,0	23,0	23,0	27,0
Leiter mm² min	1	1	1	2,5	2,5	2,5
Leiter mm² max	2,5	2,5	2,5	6	6	6