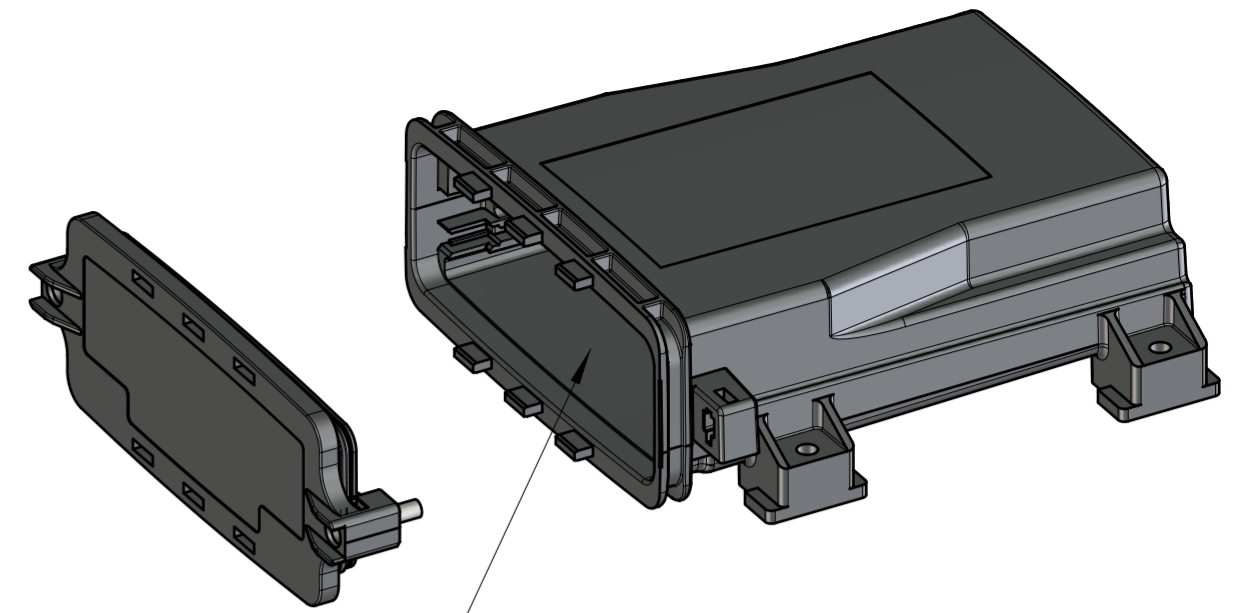
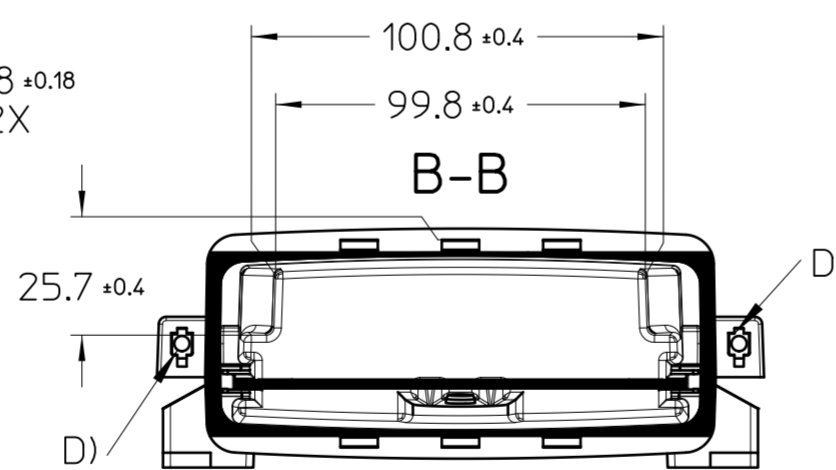
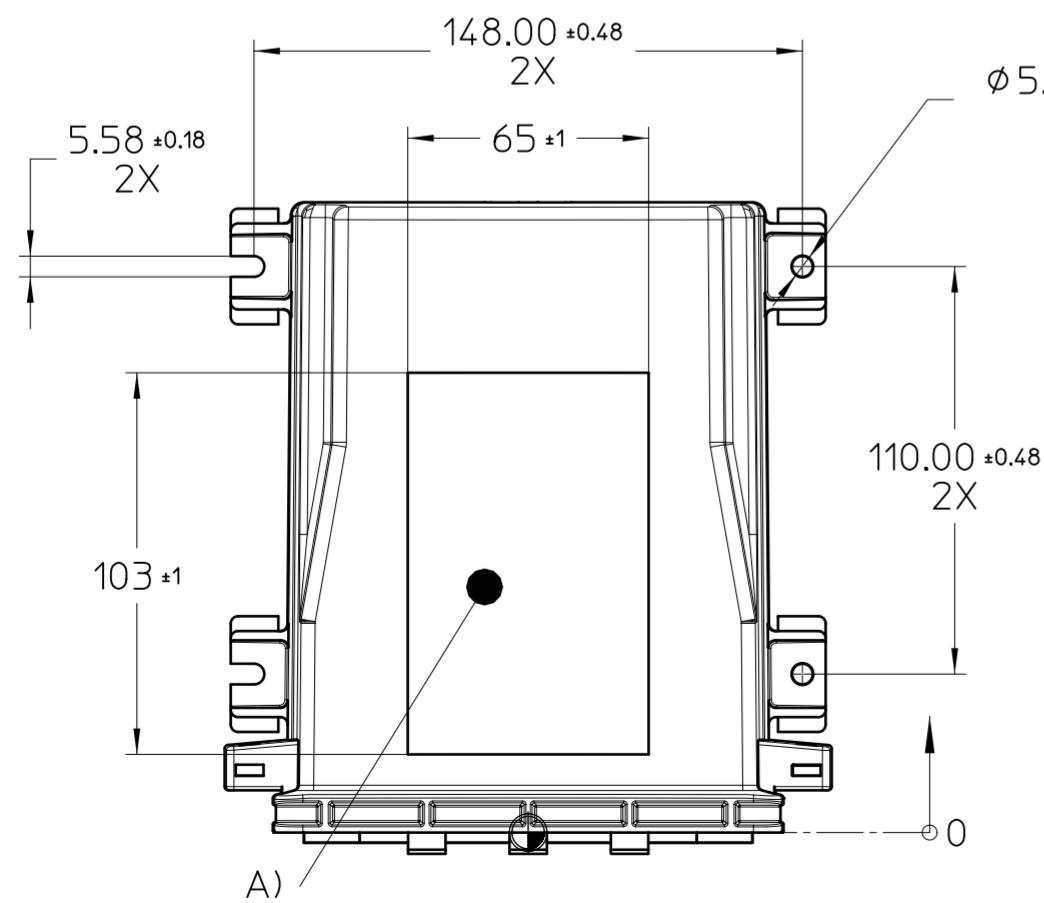
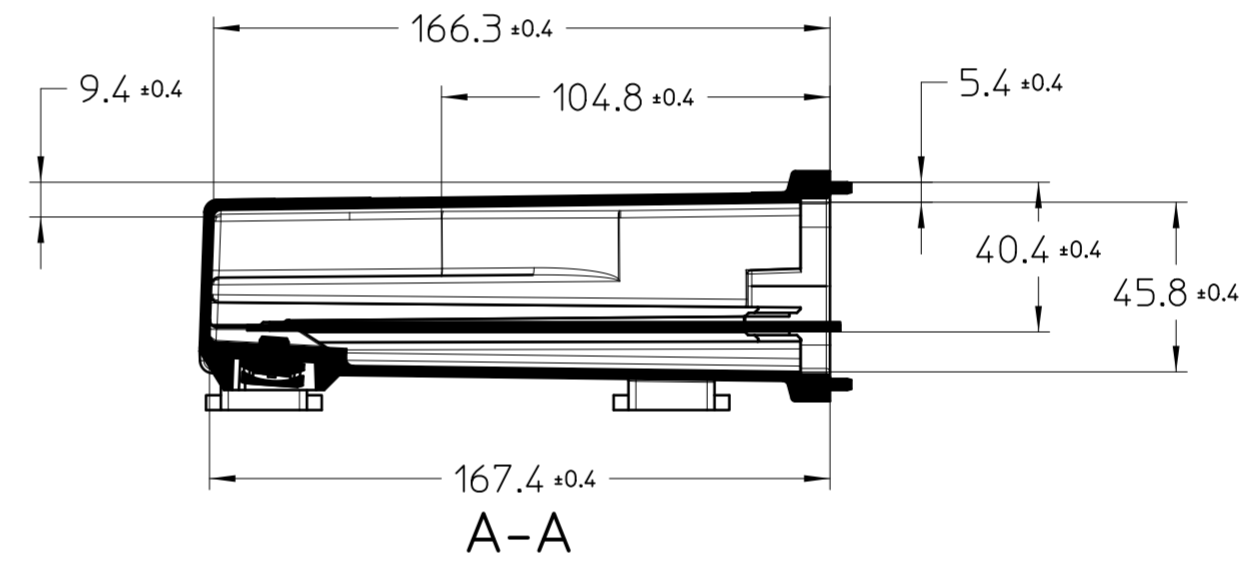
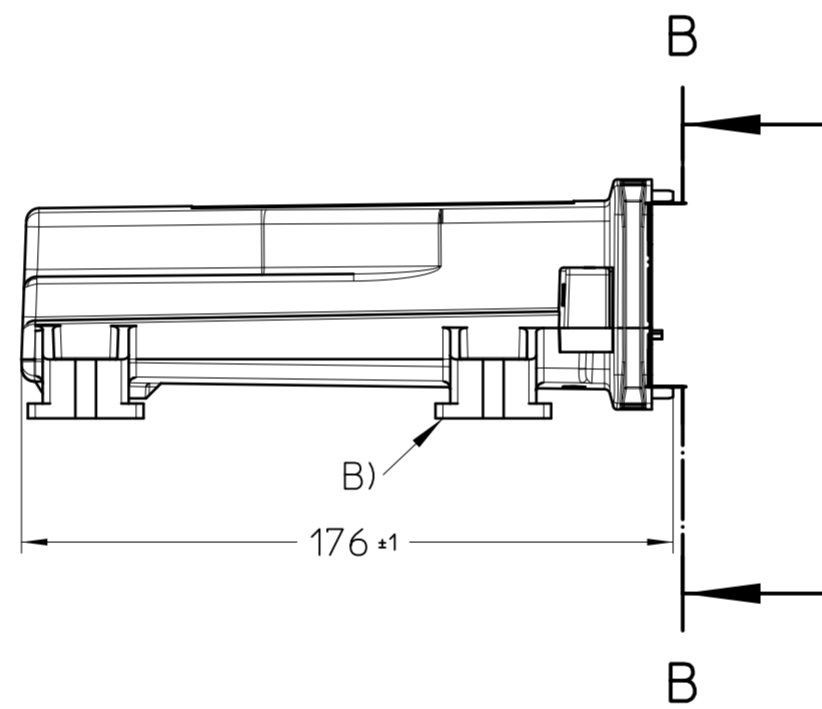
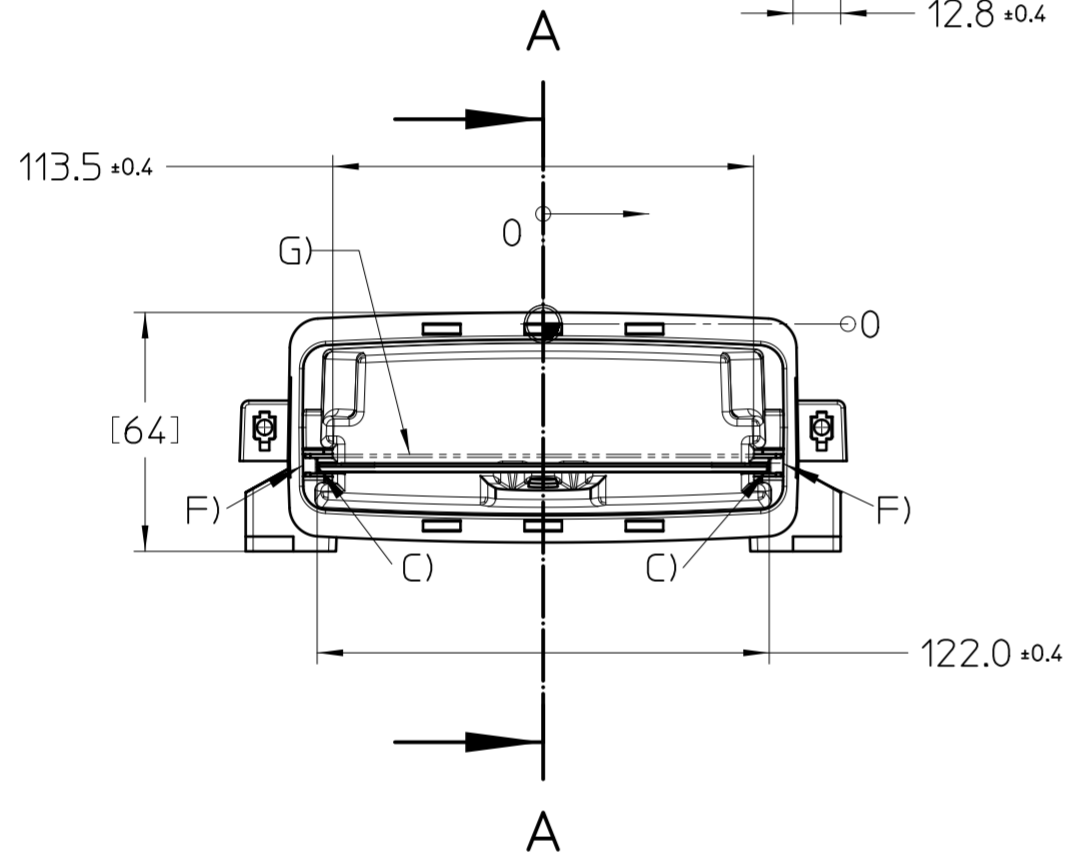
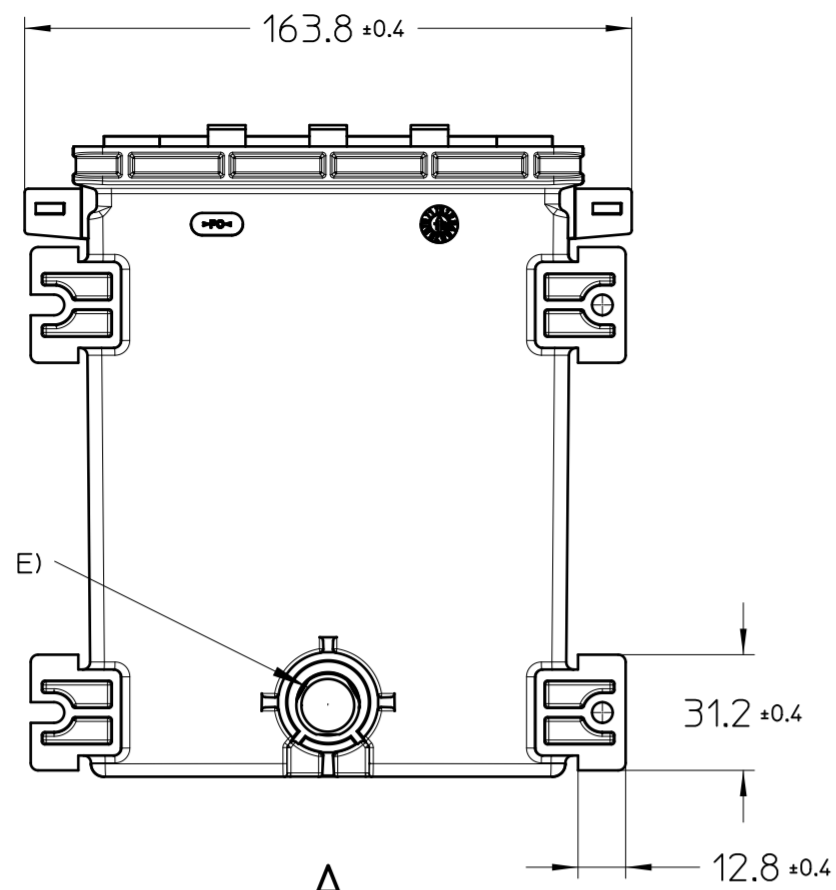


Transfer or duplication of this document as well as the utilisation or communication of its content are not permitted unless express consent is granted. Violations give rise to claims for damages. All rights reserved in case of patent, utility model or design patent registrations.

Weitergabe sowie Vervielfältigung dieses Dokuments, Verwertung und Mitteilung seines Inhalts sind verboten, soweit nicht ausdrücklich gestattet. Zuwiderhandlungen verpflichten zu Schadensersatz. Alle Rechte für den Fall der Patent-, Gebrauchsmuster- oder Designeintragung vorbehalten.



PHOENIX CONTACT PHOENIX CONTACT GmbH & Co. KG
 Flachmarkstraße 8, 32825 Blomberg, Germany
 phoenixcontact.com

Outdoor Enclosure ECS-EX
 1292760
 ECS-EX 122X169-S-UV1-V V/C: 00

EX MARKING INSIDE

Ex II 2G Ex eb IIC Gb
 II 2D Ex tb IIIA Db
 II 3D Ex tc IIIB Dc

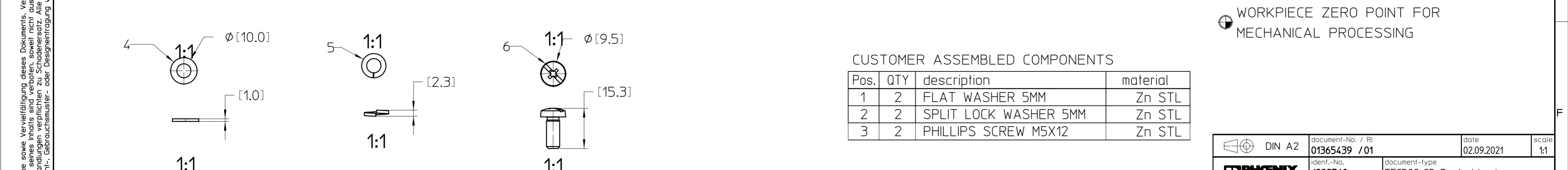
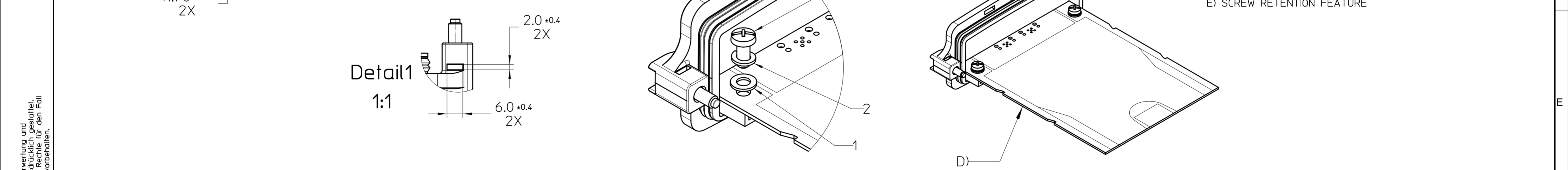
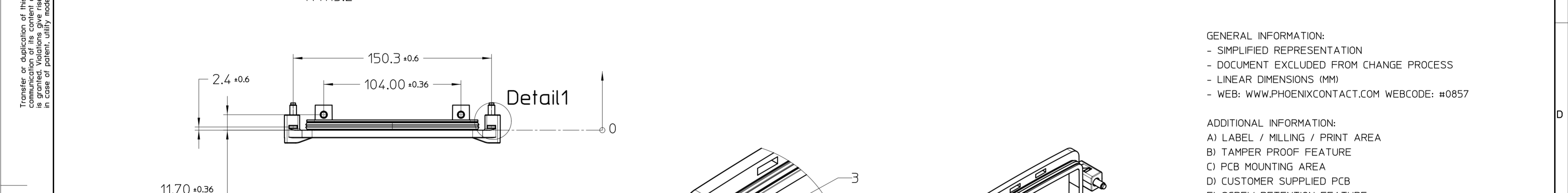
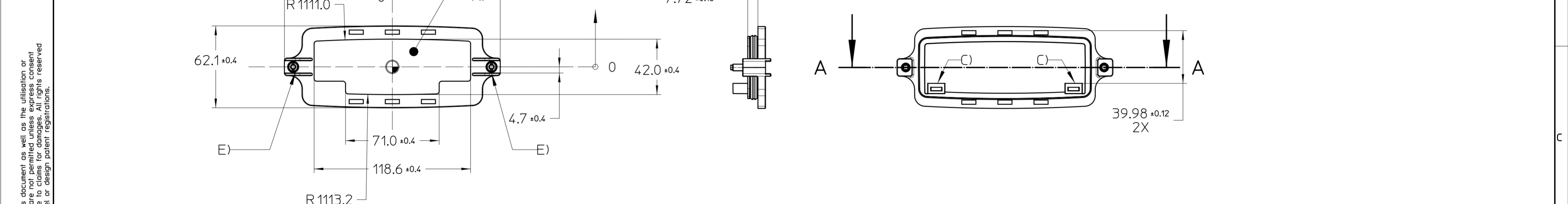
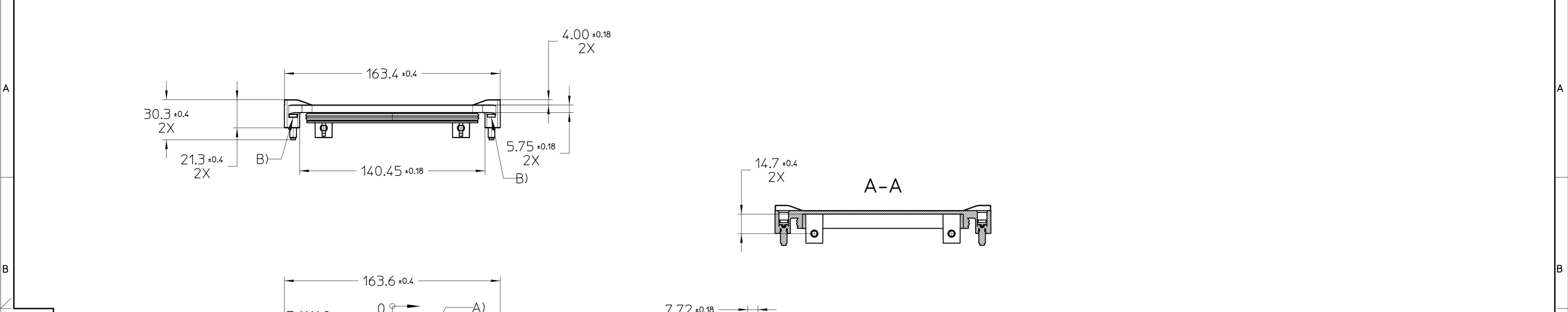
EPS 20 ATEX 1 235 U
 IECEx EPS 20.0015U

GENERAL INFORMATION:
 - SIMPLIFIED REPRESENTATION
 - DOCUMENT EXCLUDED FROM CHANGE PROCESS
 - LINEAR DIMENSIONS (MM)
 - WEB: WWW.PHOENIXCONTACT.COM

ADDITIONAL INFORMATION:
 A) LABEL AREA
 B) MOUNTING FEET W. FLANGES FOR ECS-PM
 C) PCB GUIDE (.062" AND .093" THICK PCB)
 D) M5 NUT FOR ATTACHMENT WITH ECS-P-122X169-S-...
 E) INSTALLED BREATHABLE VENT
 F) MOUNTING AREA FOR ECS-BL
 G) PCB T=1.57 MM (.062") / T=2.36 MM (.093")

WORKPIECE ZERO POINT FOR MECHANICAL PROCESSING

Pos.	QTY	description	material
1	1	ECS EX ENCLOSURE	PC
DIN A2		document-No. / RI 01365439 / 01	date 02.09.2021
scale 1:2		ident.-No. 1292760	document-type TECDOC 2D_Productdrawing
page 1	of 2	description ECS-EX 122X169-S-UV1-V	



GENERAL INFORMATION:
 - SIMPLIFIED REPRESENTATION
 - DOCUMENT EXCLUDED FROM CHANGE PROCESS
 - LINEAR DIMENSIONS (MM)
 - WEB: WWW.PHOENIXCONTACT.COM WEBCODE: #0857

ADDITIONAL INFORMATION:
 A) LABEL / MILLING / PRINT AREA
 B) TAMPER PROOF FEATURE
 C) PCB MOUNTING AREA
 D) CUSTOMER SUPPLIED PCB
 E) SCREW RETENTION FEATURE

WORKPIECE ZERO POINT FOR MECHANICAL PROCESSING

CUSTOMER ASSEMBLED COMPONENTS

Pos.	QTY	description	material
1	2	FLAT WASHER 5MM	Zn STL
2	2	SPLIT LOCK WASHER 5MM	Zn STL
3	2	PHILLIPS SCREW M5X12	Zn STL

Transfer or duplication of this document as well as the utilisation or communication of its content are not permitted unless express consent is granted. Violations give rise to claims for damages. All rights reserved in case of patent, utility model or design patent registrations.

Weitergabe sowie Vervielfältigung dieses Dokuments, Verwertung und Mitteilung seines Inhalts sind verboten, soweit nicht ausdrücklich gestattet. Zuwiderhandlungen verpflichten zu Schadensersatz. Alle Rechte für den Fall der Patent-, Gebrauchsmuster- oder Designeintragung vorbehalten.