

## Connector - with screwless terminals, for harsh applications



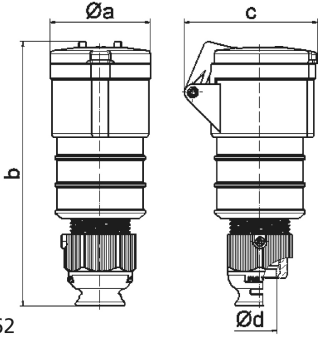
Product description	
BALS-Prd.-Nr	31967
EAN	4024941319676
Product category	Connector QUICK-CONNECT TE
Current	32A
Number of poles	3p
Poles	2P+PE
Position of earth contact	4 h
Voltage	100 up to 130V

Product description	
Frequency	50 and 60Hz
Protection degree	IP44
Colour code	yellow RAL 1012
Colour of appliance	Hinged lid yellow RAL 1012, Enclosure yellow RAL 1012, Cable gland grey RAL 7035
Connection design	screwless spring terminals as cage clamp with Kontex-contact
Maximum conductor size	6,0 qmm
Cable entry	Cable gland
Height	198mm
Width	66mm
Depth	91mm
Material of enclosure	Polyamide
Contact	The contact carrier is made of high temperature resistant material, the contacts are brass nickel plated

Additional technical properties	
	For cable diameter from 11 up to max. 23,5 mm, Multi-Grip cable gland with gasket, integrated cable clamp and additional water evacuation openings

Logistics data	
Weight/pcs	0.29 kg / Piece
Packaging	Bag
Content amount	1 ST

Logistics data	
EAN	4024941319676
Length	91 mm
Width	66 mm
Height	198 mm
Weight	0.291 kg
Volume	1,189.188 ccm
Packaging	Carton
Content amount	10 ST
EAN	4024941834612
Length	325 mm
Width	217 mm
Height	210 mm
Weight	3.102 kg
Volume	13,588.4 ccm



3 MB 62

Ampere	16	16	16	32	32	32
Polzahl	3	4	5	3	4	5
a ø	51,0	58,0	65,0	66,5	66,5	72,0
b	156,0	162,0	168,0	195,0	195,0	198,0
c	72,0	78,0	86,0	89,0	89,0	99,0
d ø	18,0	18,0	21,0	23,0	23,0	27,0
Leiter mm <sup>2</sup> min	1	1	1	2,5	2,5	2,5
Leiter mm <sup>2</sup> max	2,5	2,5	2,5	6	6	6