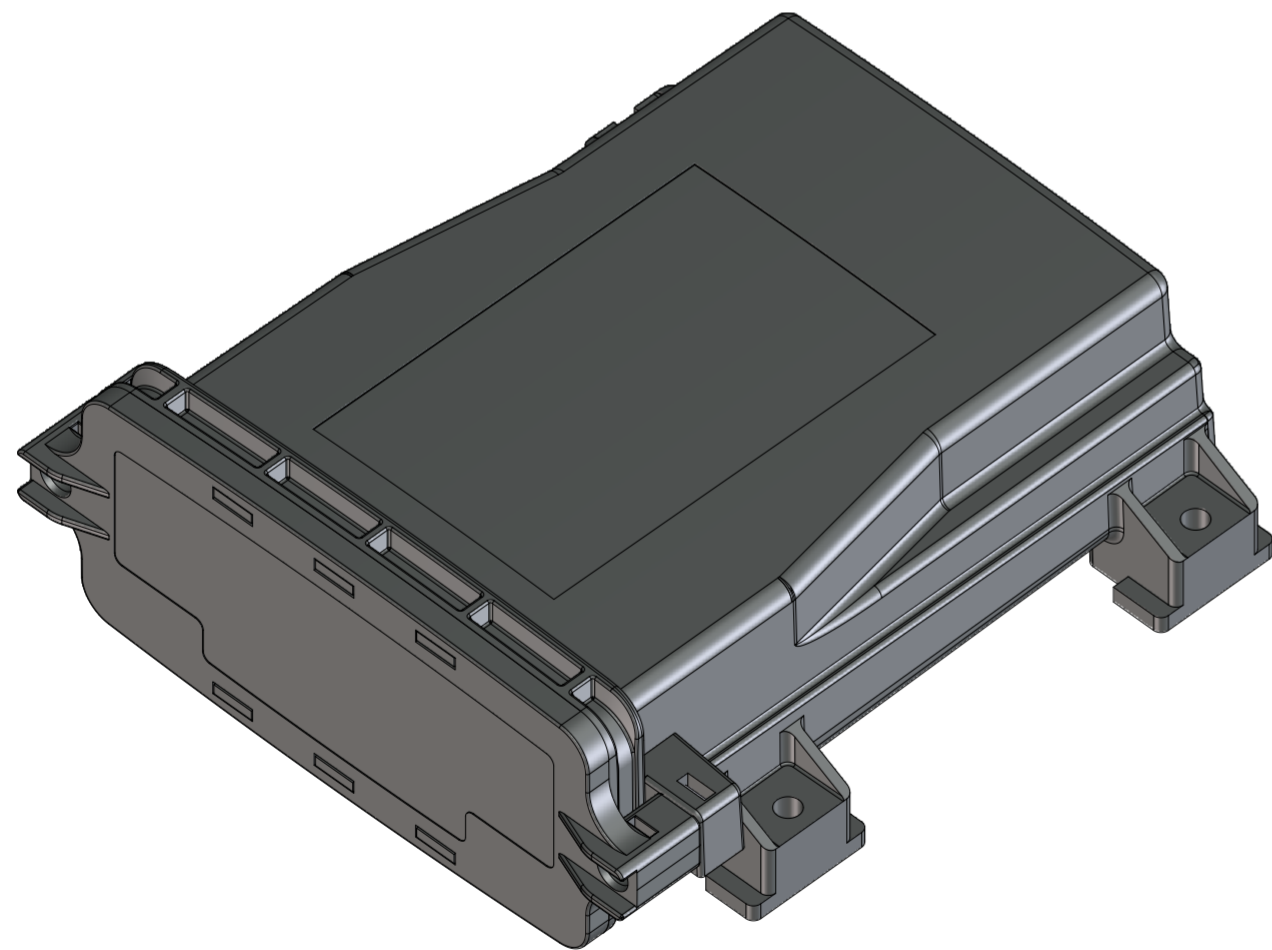
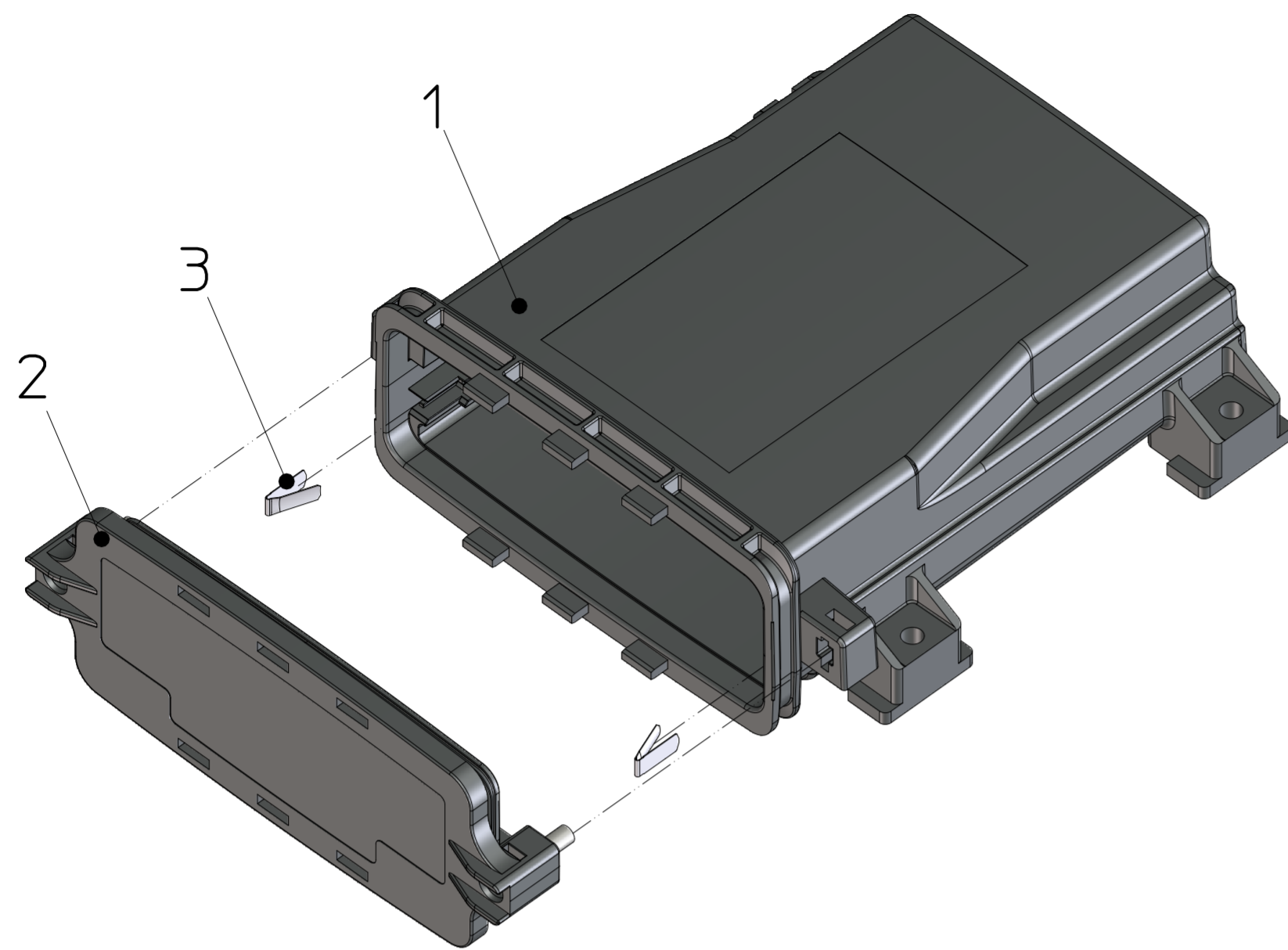


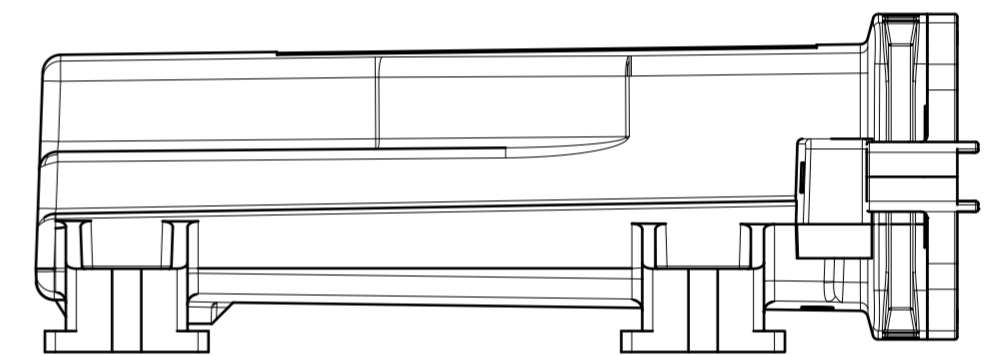
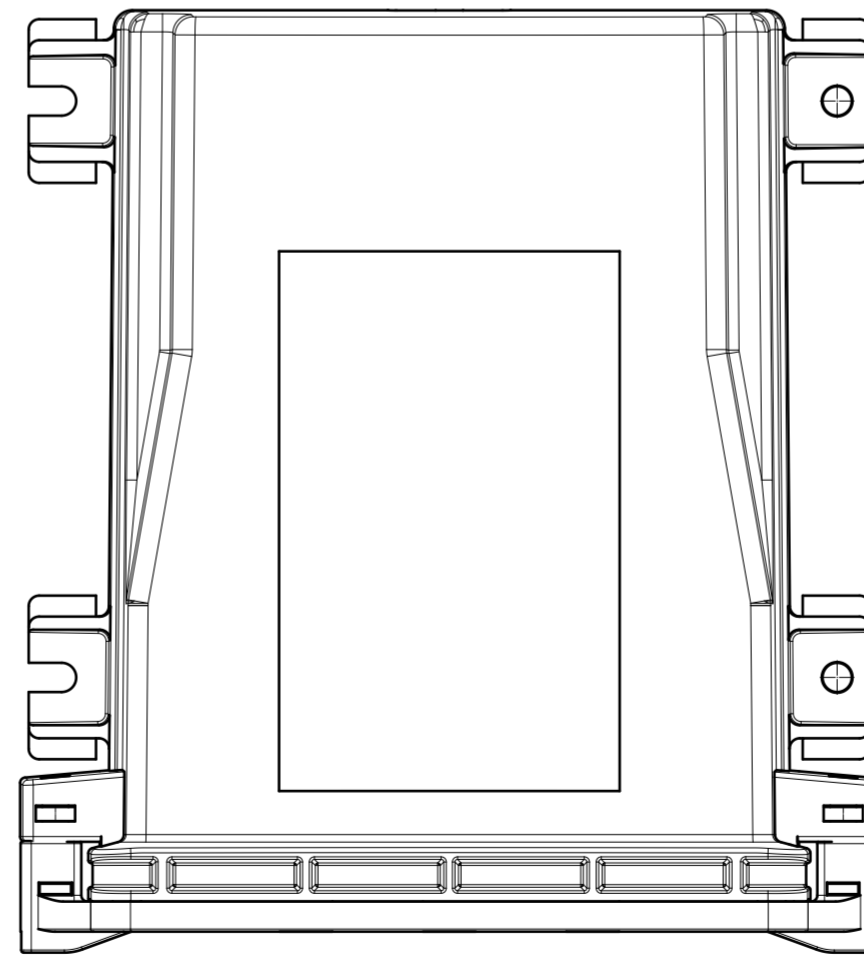
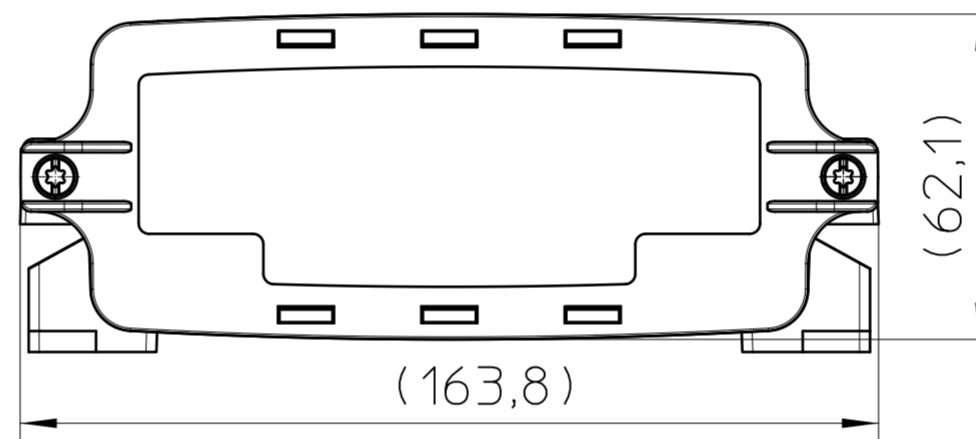
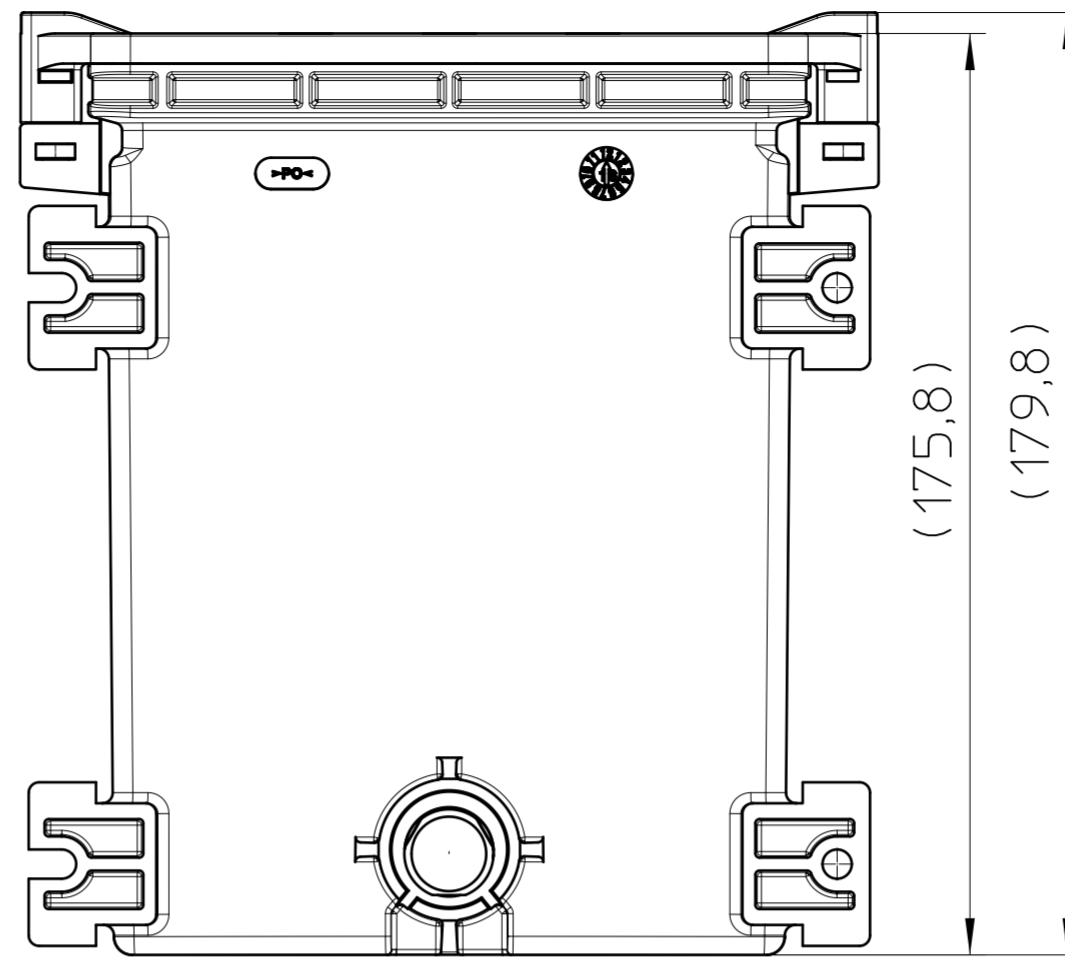
Transfer or duplication of this document as well as the utilisation or communication of its content are not permitted unless express consent is granted. Violations give rise to claims for damages. All rights reserved in case of patent, utility model or design patent registrations.

Weitergabe sowie Vervielfältigung dieses Dokuments, Verwertung und Mitteilung seines Inhalts sind verboten, soweit nicht ausdrücklich gestattet. Zuwiderhandlungen verpflichten zu Schadensersatz. Alle Rechte für den Fall der Patent-, Gebrauchsmuster- oder Designeintragung vorbehalten.



General Information:

- Simplified representation, exemplary shown in black
- Document excluded from change process
- Units are in millimeters [mm] and degrees [°]
- Tolerances apply in a normal climate according to DIN EN ISO 291-23/50-2
- Web: www.phoenixcontact.com webcode: #0857

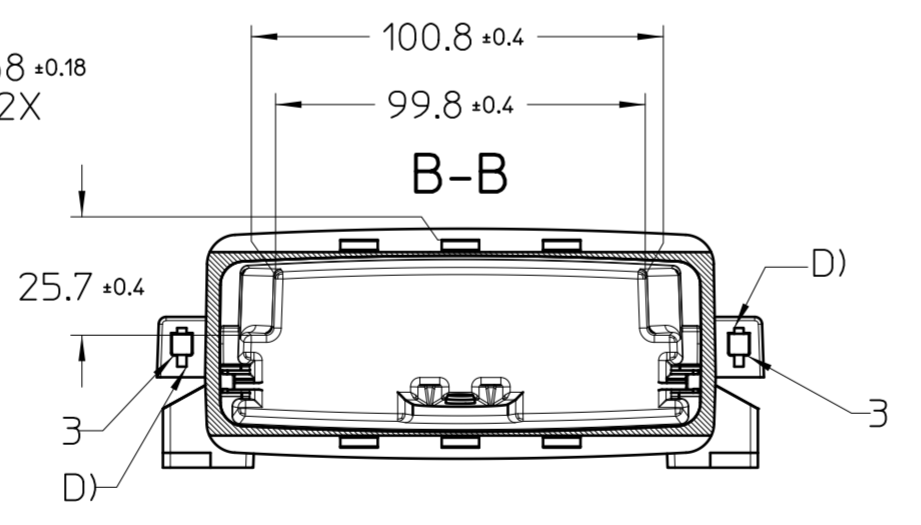
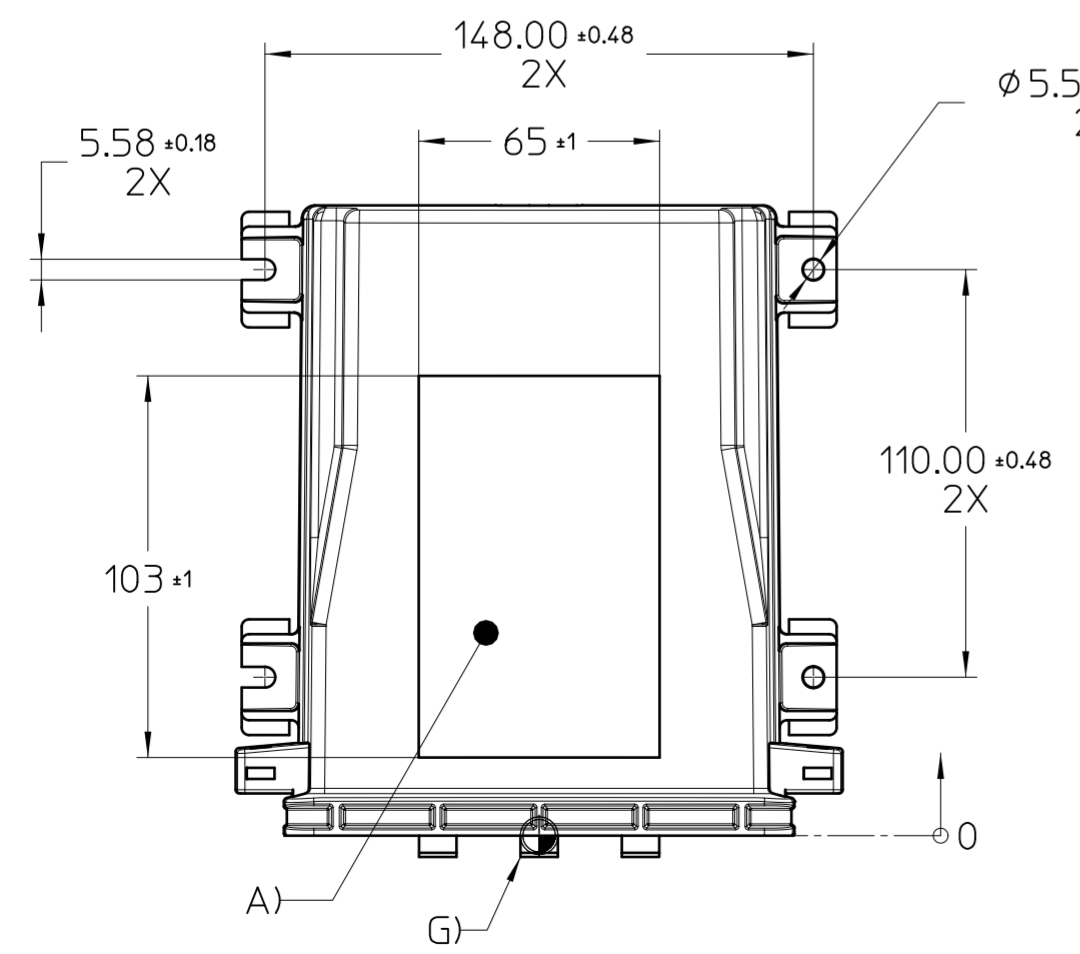
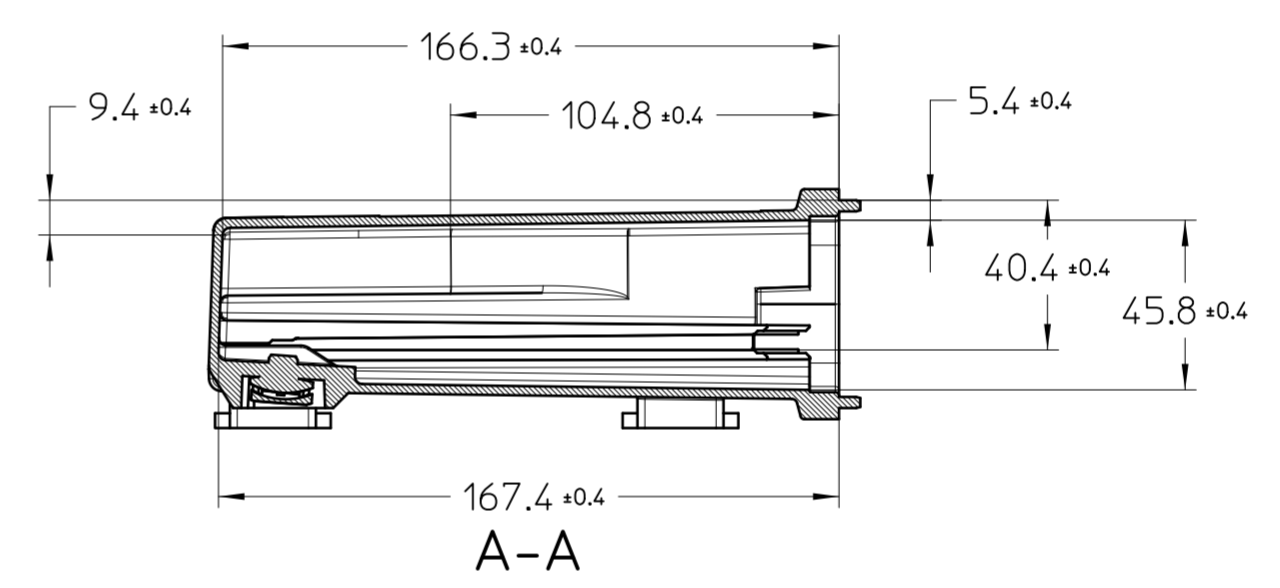
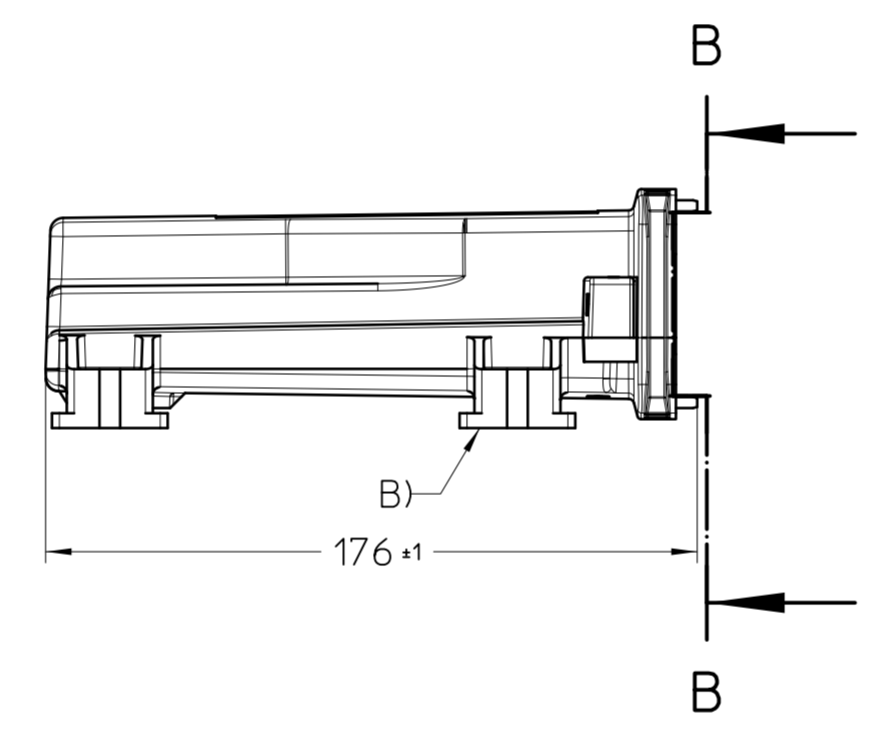
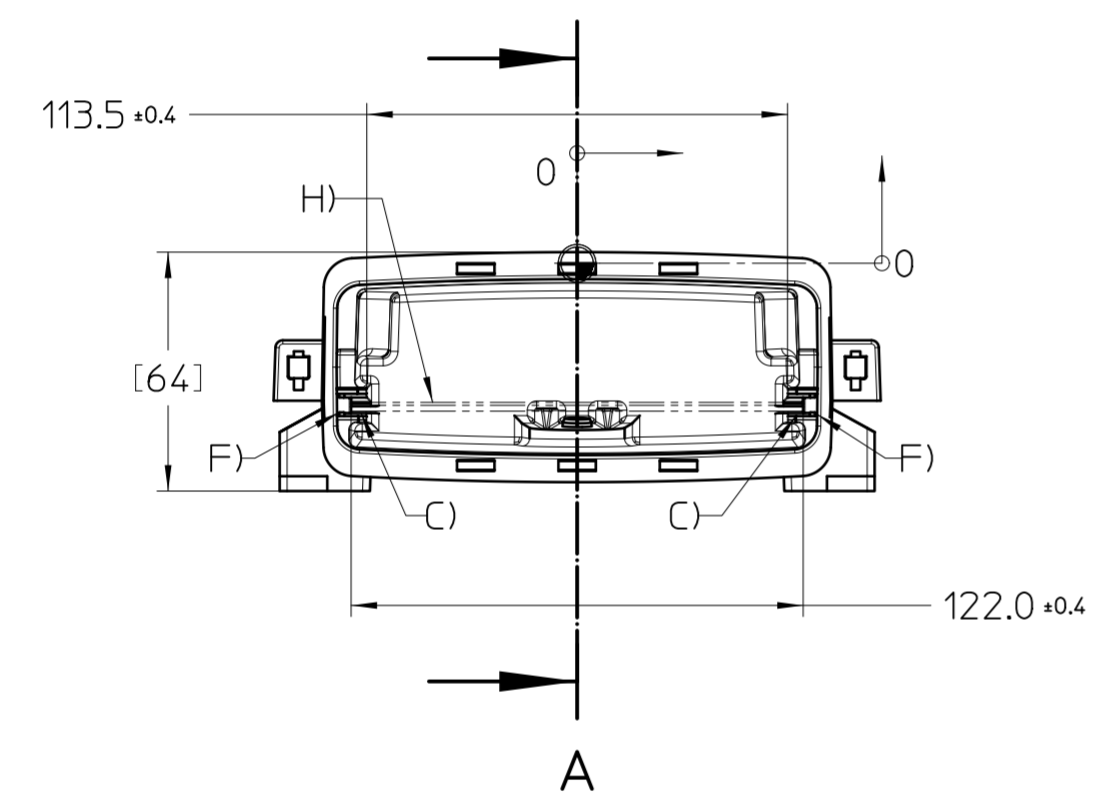
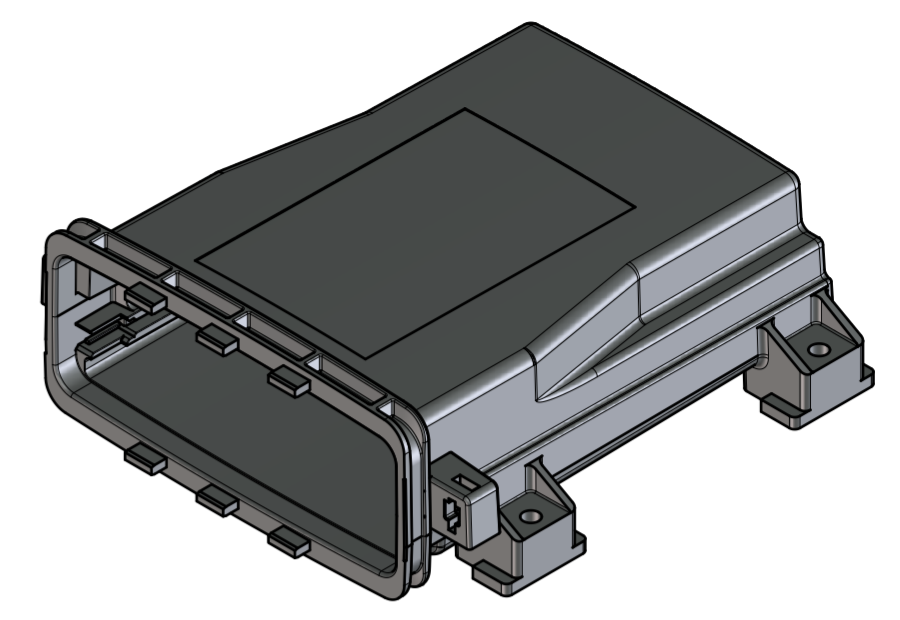
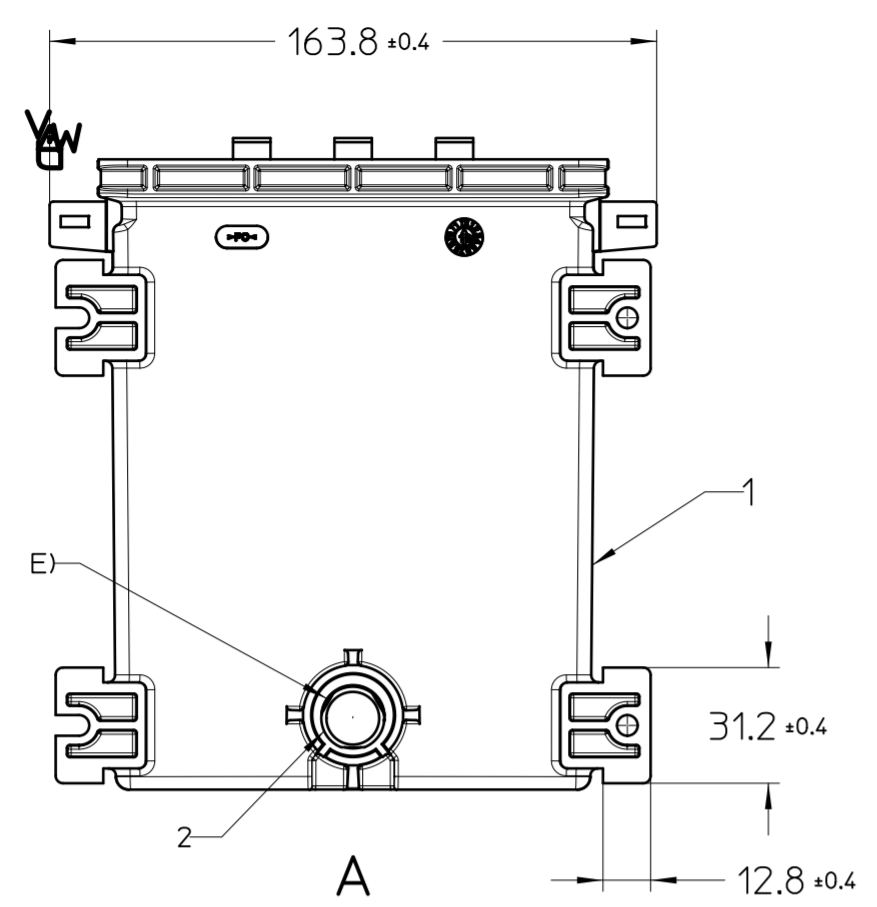


Assembly example

KIT (not mounted)				
Pos.	QTY	Description		
1	1	ECS-ENCLOSURE-122x169-S-UV-V		
2	1	ECP-FRONT-PLATE-122x169-S-UV-B		
3	2	ECS-PCB-SAFETY-CLIP		
DIN A3		document-No. / RI	date	scale
		01375984 / 00	28.05.2021	1:2
PHOENIX CONTACT		ident.-No.	document-type	
		1457013	TECDCOC 2D_Productdrawing	
page 1		description		
of 4		ECS-SKT-122X169-S-UV-9005		

Transfer or duplication of this document as well as the utilisation or communication of its content are not permitted unless express consent is granted. Violations give rise to claims for damages. All rights reserved in case of patent, utility model or design patent registrations.

Weitergabe sowie Vervielfältigung dieses Dokuments, Verwertung und Mitteilung seines Inhalts sind verboten, soweit nicht ausdrücklich gestattet. Zuwiderhandlungen verpflichten zu Schadensersatz. Alle Rechte für den Fall der Patent-, Gebrauchsmuster- oder Designeintragung vorbehalten.



GENERAL INFORMATION:
 - SIMPLIFIED REPRESENTATION
 - DOCUMENT EXCLUDED FROM CHANGE PROCESS
 - LINEAR DIMENSIONS (MM)
 - WEB: WWW.PHOENIXCONTACT.COM

ADDITIONAL INFORMATION:
 A) LABEL AREA
 B) MOUNTING FEET W. FLANGES FOR ECS-PM
 C) PCB GUIDE (.062" AND .093" THICK PCB)
 D) M5 NUT FOR ATTACHMENT WITH ECS-P-122X169-S-...
 E) INSTALLED BREATHABLE VENT
 F) MOUNTING AREA FOR ECS-BL
 G) ALIGNMENT LUG (6) FOR ECS-P-122X169-S-...
 H) PCB T=1.57 MM (.062") / T=2.36 MM (.093")

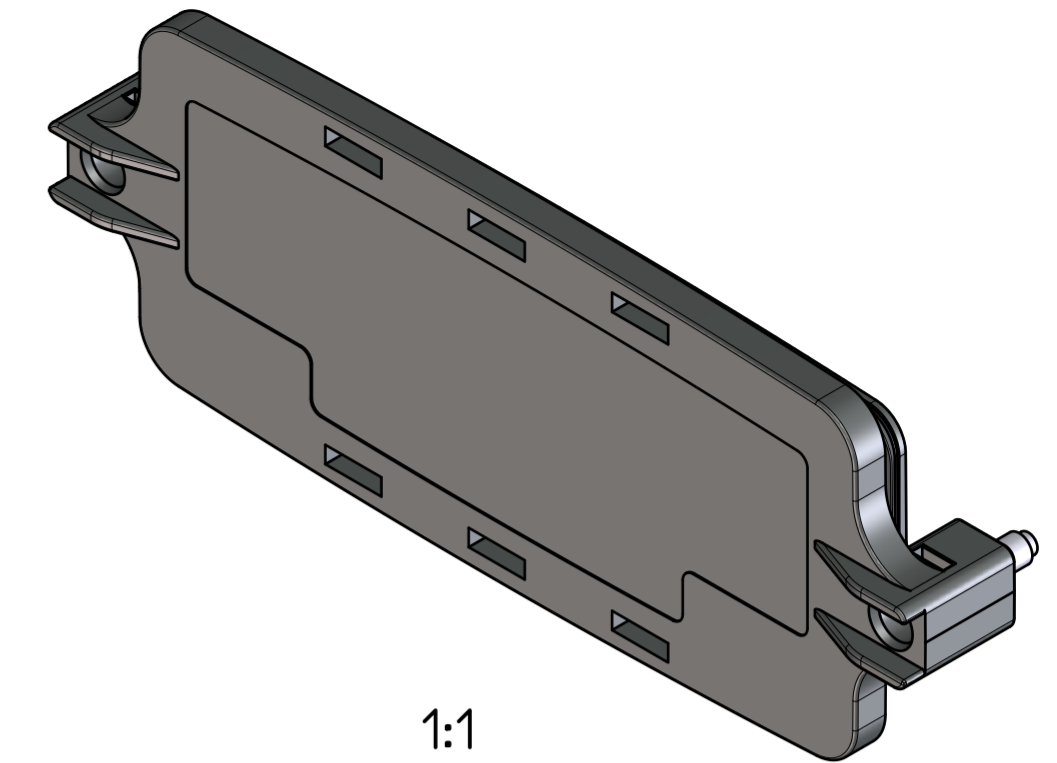
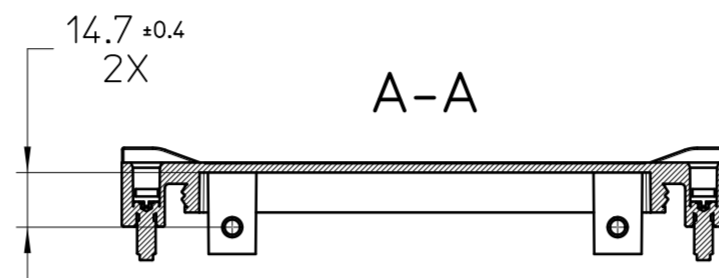
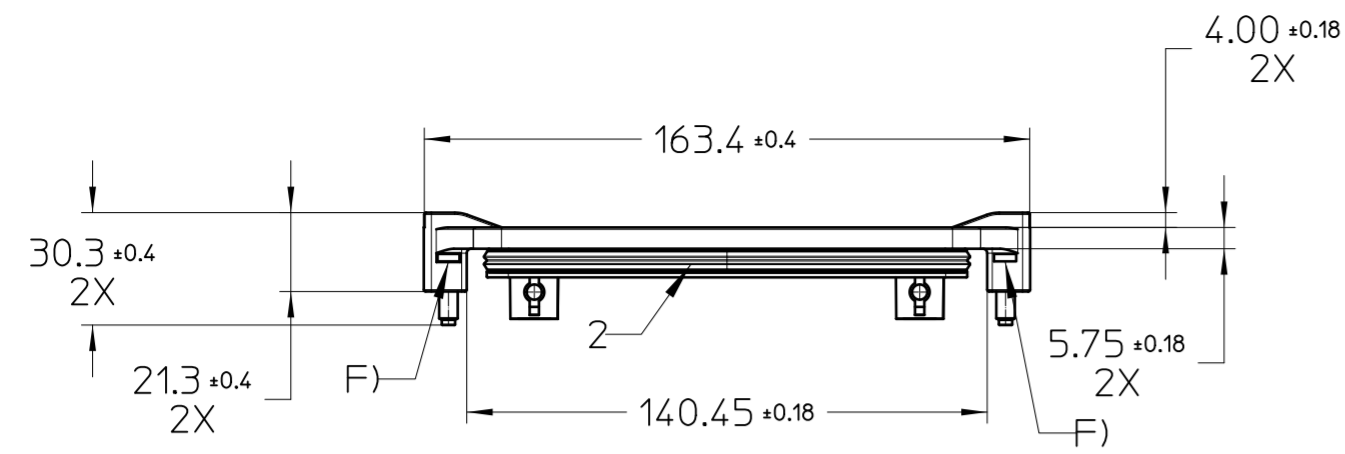
WORKPIECE ZERO POINT FOR MECHANICAL PROCESSING

Pos.	QTY	description	material
1	1	ECS ENCLOSURE	PC
2	1	BREATHABLE VENT	PBT
3	2	M5 NUT	Zn STL

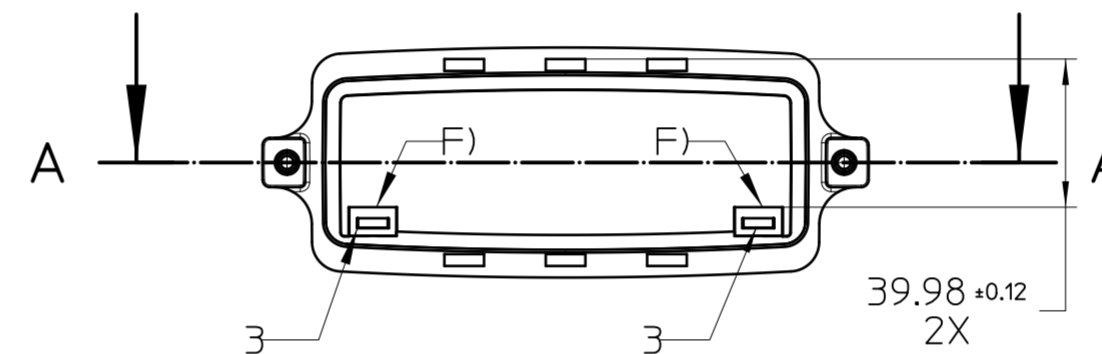
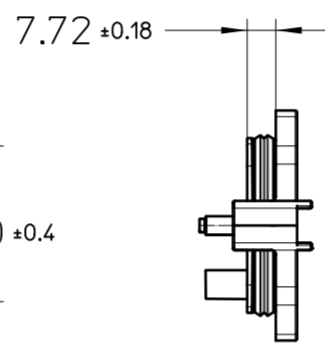
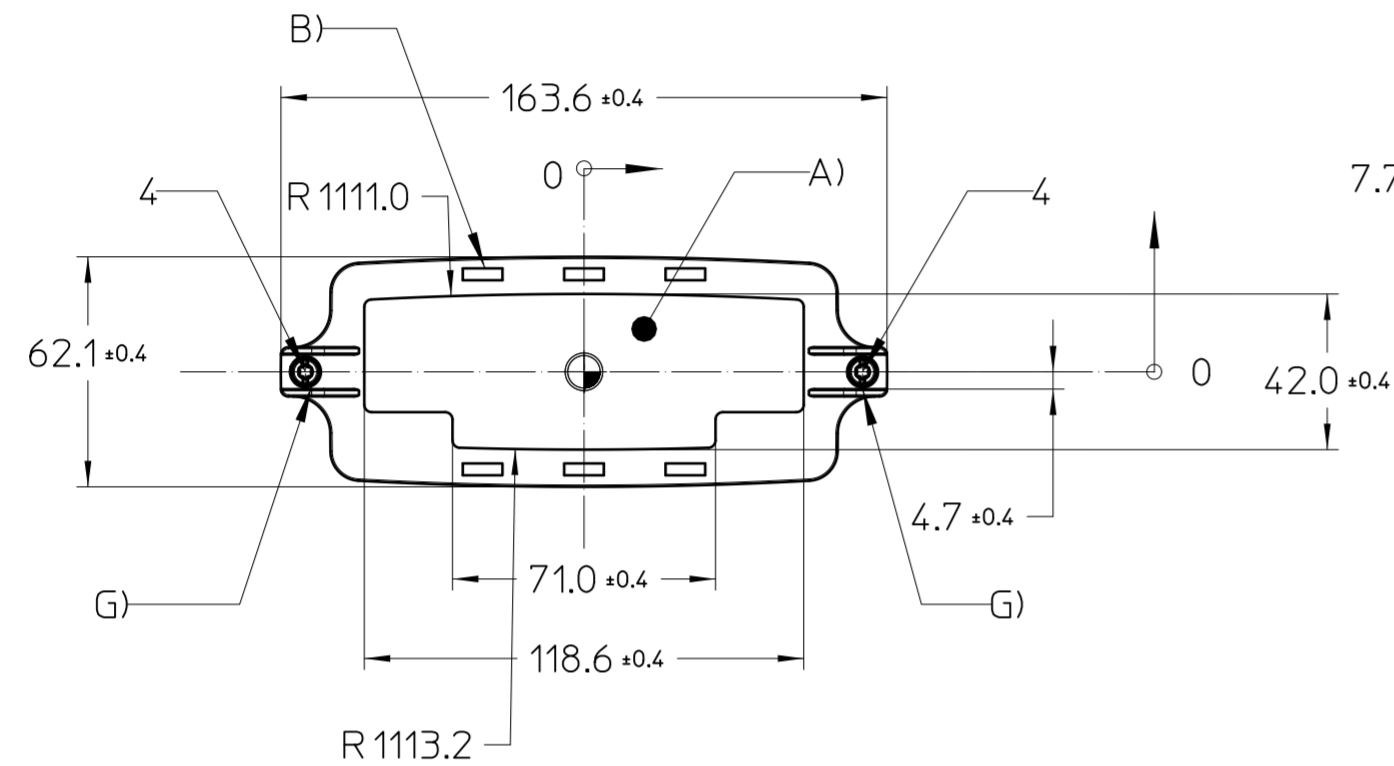
	DIN A2	document-No. / RI	01375984 / 00	date	28.05.2021	scale	1:2
		ident.-No.	1457013	document-type	TECDOC 2D_Productdrawing		
page 2	of 4	description	ECS-SKT-122X169-S-UV-9005				

Transfer or duplication of this document as well as the utilisation or communication of its content are not permitted unless express consent is granted. Violations give rise to claims for damages. All rights reserved in case of patent, utility model or design patent registrations.

Weitergabe sowie Vervielfältigung dieses Dokuments, Verwertung und Mitteilung seines Inhalts sind verboten, soweit nicht ausdrücklich gestattet. Zuwiderhandlungen verpflichten zu Schadensersatz. Alle Rechte für den Fall der Patent-, Gebrauchsmuster- oder Designanmeldung vorbehalten.

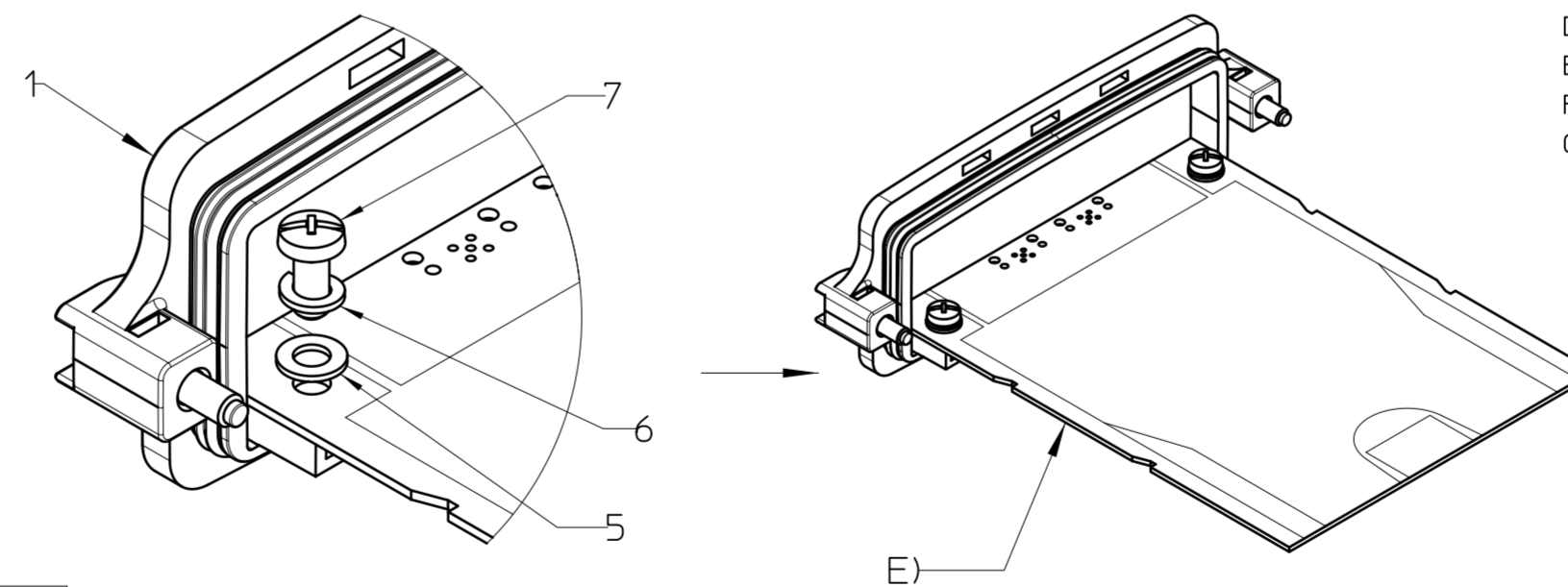
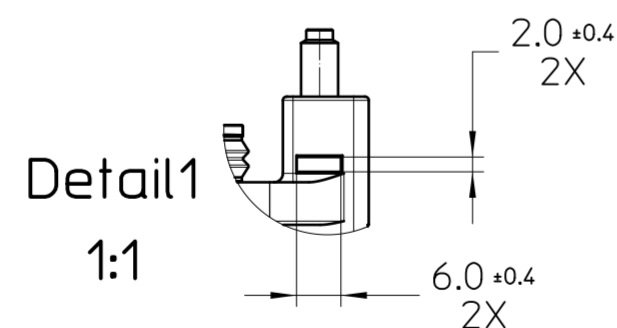
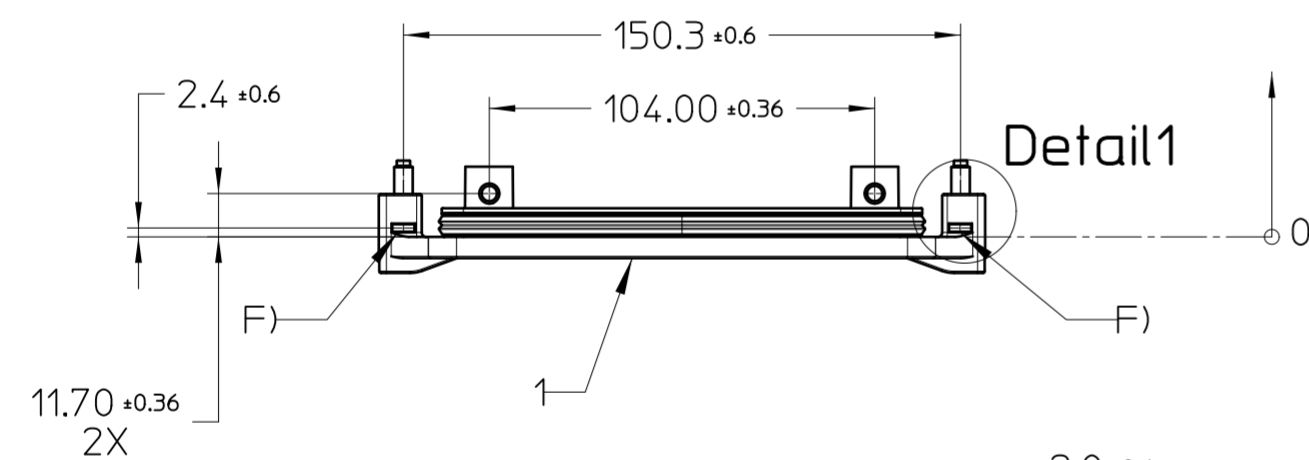


1:1



GENERAL INFORMATION:
 - SIMPLIFIED REPRESENTATION
 - DOCUMENT EXCLUDED FROM CHANGE PROCESS
 - LINEAR DIMENSIONS (MM)
 - WEB: WWW.PHOENIXCONTACT.COM WEBCODE: #0857

ADDITIONAL INFORMATION:
 A) LABEL / MILLING / PRINT AREA
 B) ENCLOSURE ALIGNMENT LUG SLOTS (6X) FOR ECS-B-122X169-L...
 C) TAMPER PROOF FEATURE
 D) PCB MOUNTING AREA
 E) CUSTOMER SUPPLIED PCB
 F) TAMPER PROOF FEATURE
 G) SCREW RETENTION FEATURE



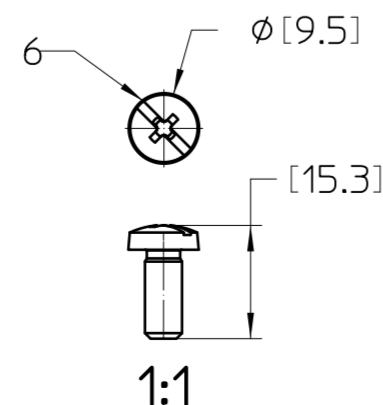
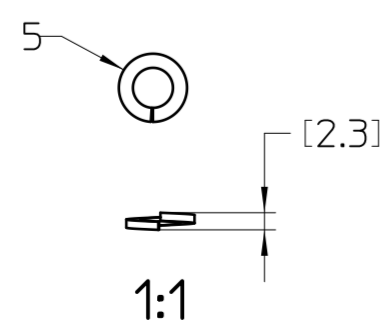
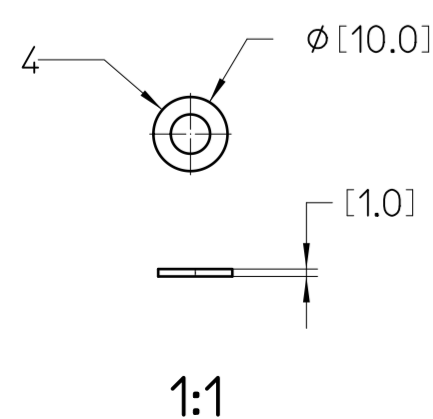
CUSTOMER ASSEMBLED COMPONENTS

Pos.	QTY	description	material
5	2	FLAT WASHER 5MM	Zn STL
6	2	SPLIT LOCK WASHER 5MM	Zn STL
7	2	PHILLIPS SCREW M5X12	Zn STL

WORKPIECE ZERO POINT FOR MECHANICAL PROCESSING

Pos.	QTY	description	material
1	1	ECS FACEPLATE	PC
2	1	FACEPLATE SEAL	SI
3	2	SQUARE NUTS	ZN STL
4	2	M5 SCREWS	ZN STL

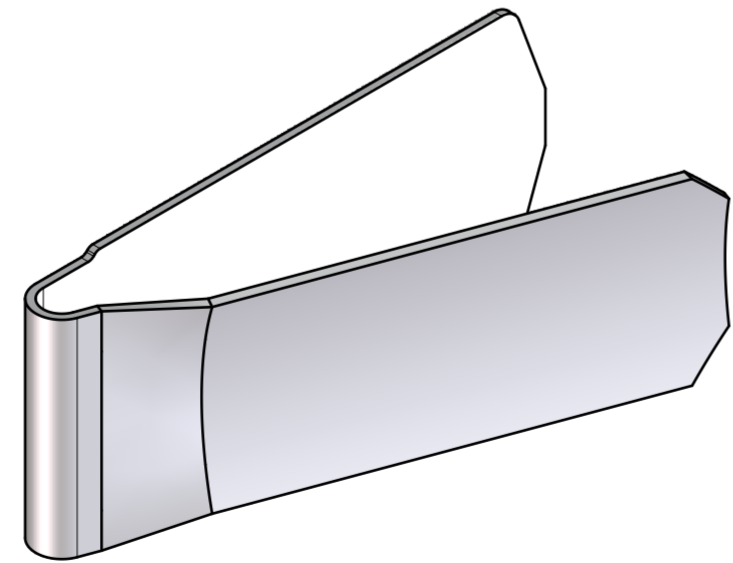
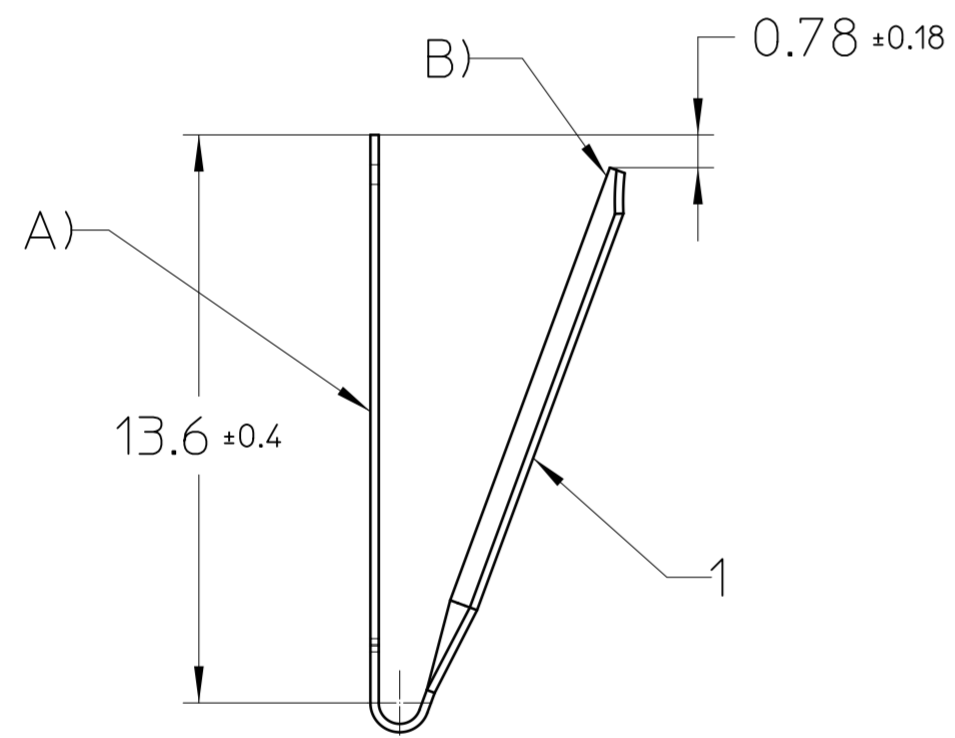
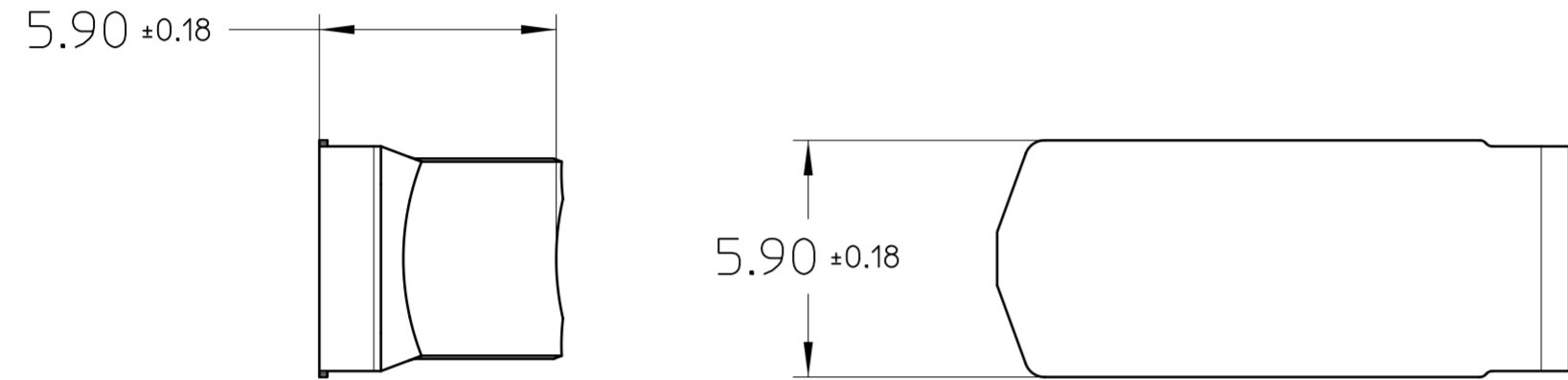
DIN A2	document-No. / RI 01375984 / 00	date 28.05.2021	scale 1:2
PHOENIX CONTACT	ident.-No. 1457013	document-type TECDOC 2D_Productdrawing	
page 3 of 4	description ECS-SKT-122X169-S-UV-9005		



Transfer or duplication of this document as well as the utilisation or communication of its content are not permitted unless express consent is granted. Violations give rise to claims for damages. All rights reserved in case of patent, utility model or design patent registrations.

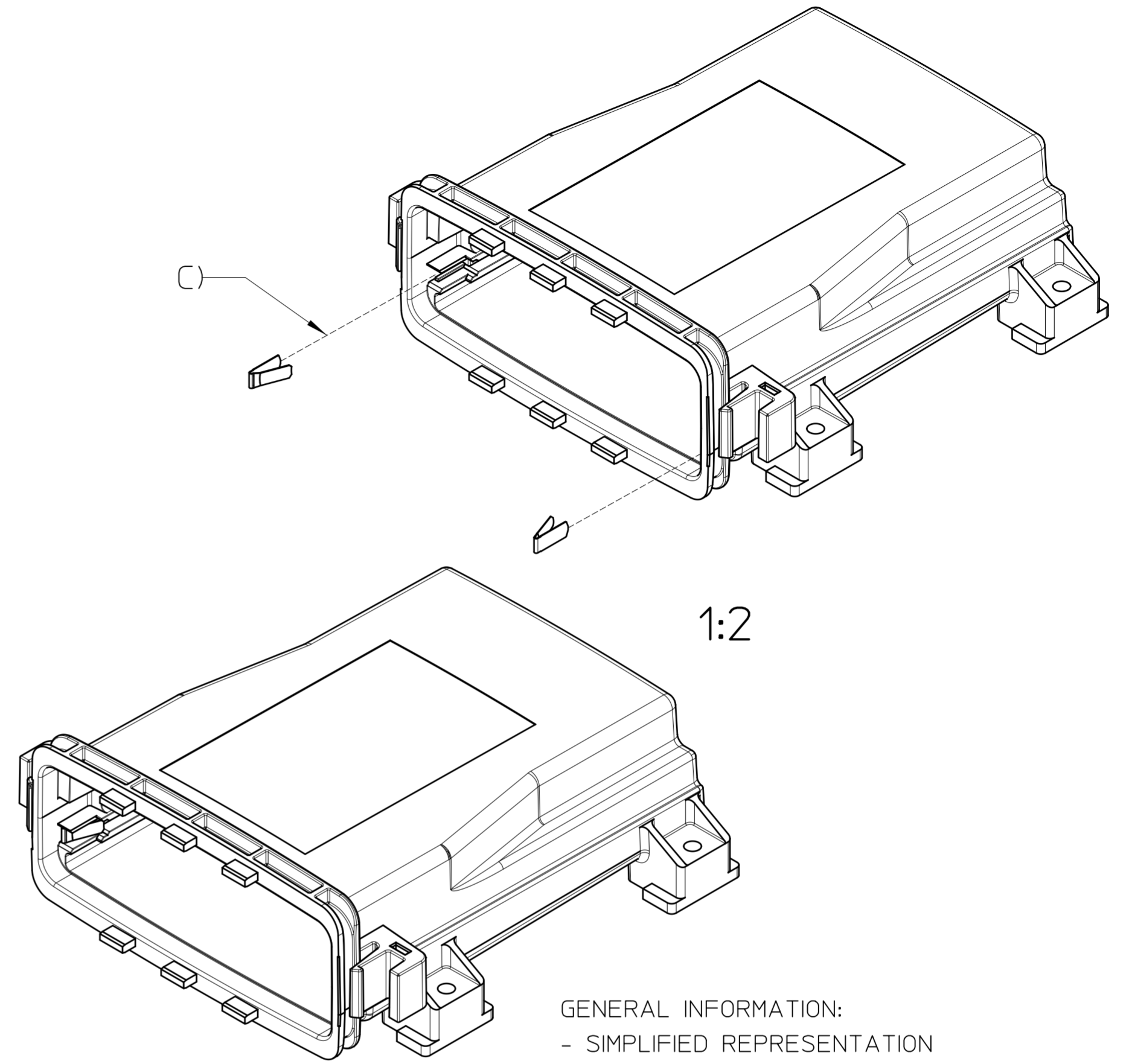
Weitergabe sowie Vervielfältigung dieses Dokuments, Verwertung und Mitteilung seines Inhalts sind verboten, soweit nicht ausdrücklich gestattet. Zuwiderhandlungen verpflichten zu Schadenersatz. Alle Rechte für den Fall der Patent-, Gebrauchsmuster- oder Designeintragung vorbehalten.

ECS-BL



5:1

ECS-BL ASSEMBLY



1:2

1:2

- GENERAL INFORMATION:
- SIMPLIFIED REPRESENTATION
 - DOCUMENT EXCLUDED FROM CHANGE PROCESS
 - LINEAR DIMENSIONS (MM)
 - WEB: WWW.PHOENIXCONTACT.COM WEBCODE: #0857

- ADDITIONAL INFORMATION:
- A) MOUNTING AREA FOR ECS-B-...
 - B) PCB STOP AREA
 - C) PCB STOP INSERTED INTO ECS-B-... UNTIL AUDIBLE CLICK IS HEARD

Pos.	QTY	description	material
1	2	ECS-BL	SS
		document-No. / RI	date
		01375984 / 00	28.05.2021
		ident.-No.	scale
		1457013	4:1
		document-type	
		TECDOC 2D_Productdrawing	
		description	
		ECS-SKT-122X169-S-UV-9005	
page 4	of 4		