

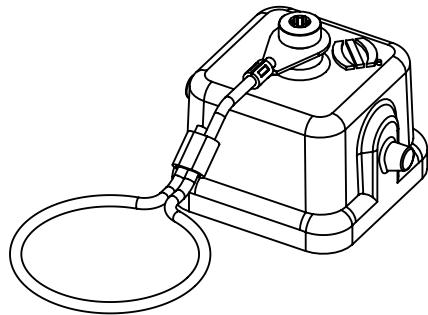
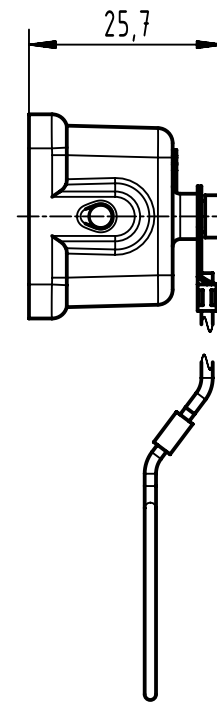
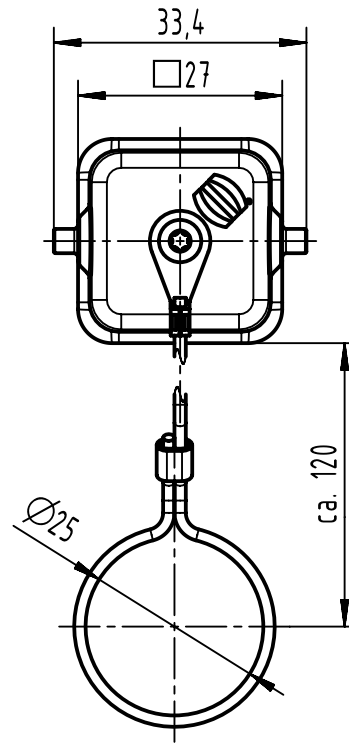
1 2 3 4 5 6

A


B

C

D



for housings with male insert

	All rights reserved Department EL PD	All Dimensions in mm Original Size DIN A4		Scale 1:1	Free size tol.		Ref. Sub.	
		HARTING D-32339 Espelkamp	Created by HOLLERT	Inspected by GERB	Standardisation	Date 2022-11-14	State Final Release	
		Title Han 3M AK			Number 09 37 003 5403		Rev. D	Page 1/1