

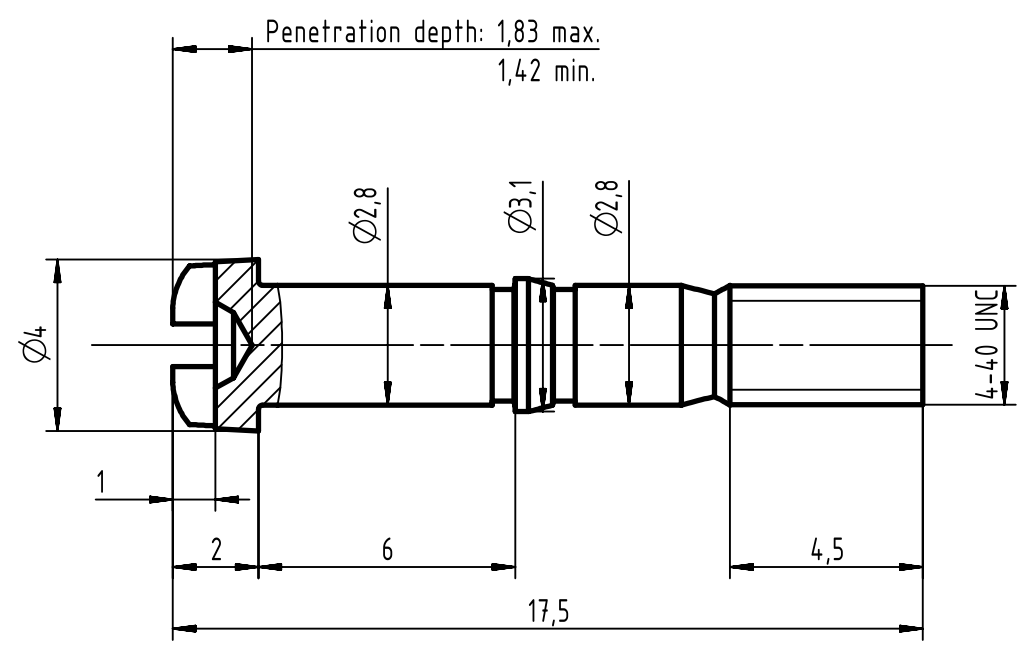
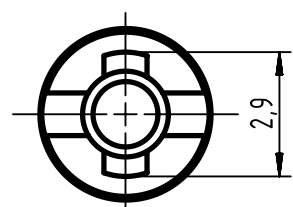
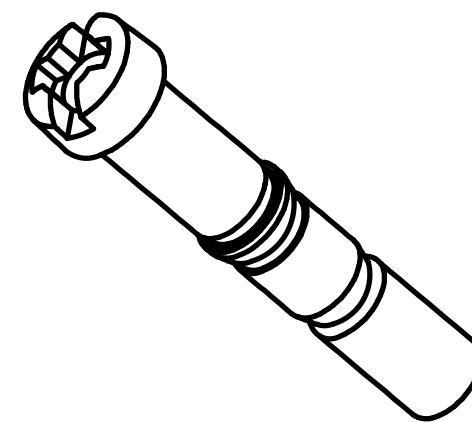
1 2 3 4 5 6

A


B

C

D



Material: steel
Plating: nickel

	All rights reserved Department EL PD	All Dimensions in mm Original Size DIN A4		Scale 5:1	Free size tol.		Ref.	
		HARTING Electronics GmbH D-32339 Espelkamp	Created by ZHUANGJ	Inspected by LUOK	Standardisation SCHREIER	Date 2019-07-29	State Final Release	Sub.
Title D-Sub male screw-lock 4-40 UNC for hoods							Doc-Key / ECM-Nr. 100845726/UGD/000/A 500000155767	
				Type TB	Number 09670029090		Rev. A	Page 1/1