

5

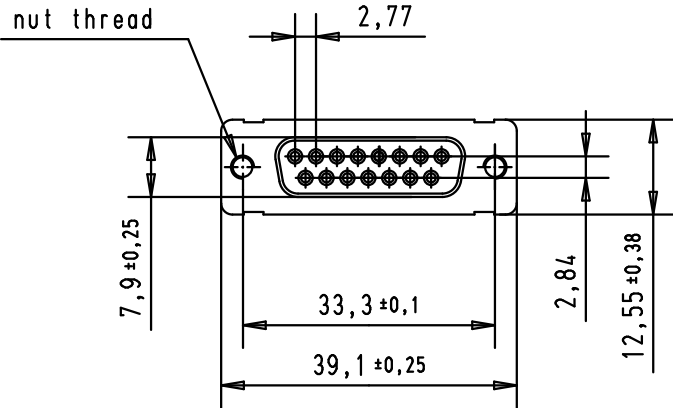
4

3

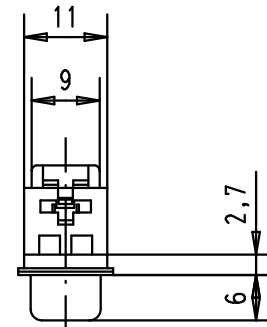
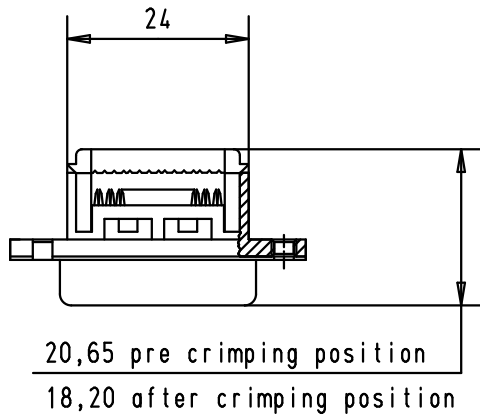
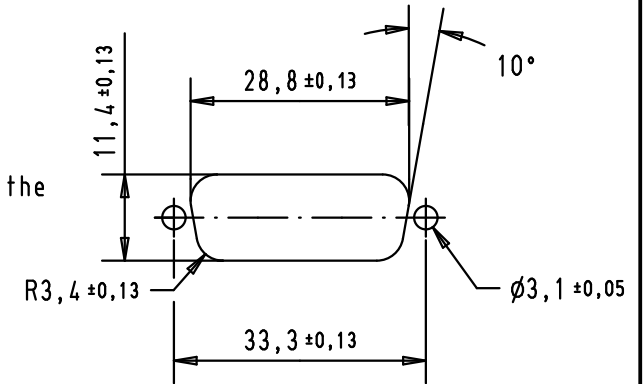
2

1

RECOMMAMDED PANEL CUTOUT DIMENSIONS FOR REAR MOUNTING





Values are taken from the CECC 75 301-802



1.27 mm pitch flat cable stranded, wire sizes : AWG 26 to 28

A

09 66 218 7502	PL3	4-40 UNC					Dat.	Name	 All Dim. in mm Orig. Size DIN A 4	D-sub, female, 15 poles, straight, IDC, nut fixing	Maßstab/ Scale 1 : 1
09 66 218 6502	PL2	4-40 UNC				Detail.	19-MAR-02	CV			
09 66 218 7501	PL3	M3				Insp.	23-SEP-11	JB			
09 66 218 6501	PL2	M3				Stand.					
				EC03837	23-SEP-11	BH	HARTING EUROL F-95972 Paris			TB 09 66 218 x50x	Blatt/ Page 1 / 1
				EC01902	21-MAY-10	SC					
part number	performance level	Nut thread		29756	19-MAR-02	CV					
				Mod.	Dat.	Name				Sub.	