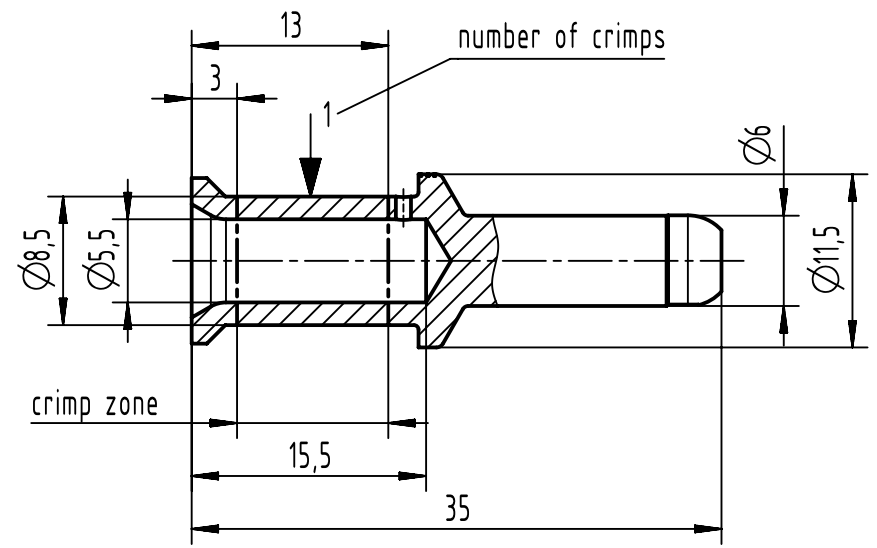


A

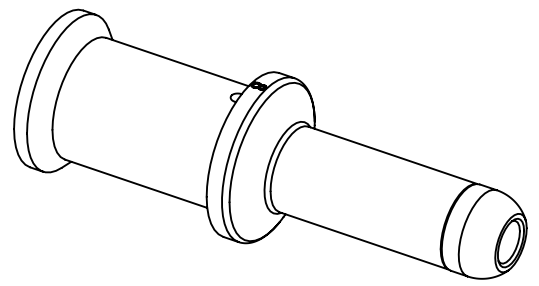
B


C

D



assembly notes see catalog
 crimp zone acc. to DIN EN 46235, indicator 8
 for stranded fine wire acc. to VDE 0295 class 5/IEC 60228 class 5
 wire gauge: 16mm²
 stripping length: 15,5 mm



	All rights reserved Department EL PD	All Dimensions in mm Original Size DIN A4		Scale 2:1	Free size tol.	Ref. Sub.	
		Created by HOLLERT	Inspected by 100219	Standardisation	Date 2024-03-07	State Approved	
HARTING D-32339 Espelkamp		Title Han TC70 M-contact 16mm ² protected				Doc-Key / ECM-Nr. 100843999/UGD/001/F 500000264402	
		Type TB	Number 09 11 000 7101			Rev. F	Page 1/1