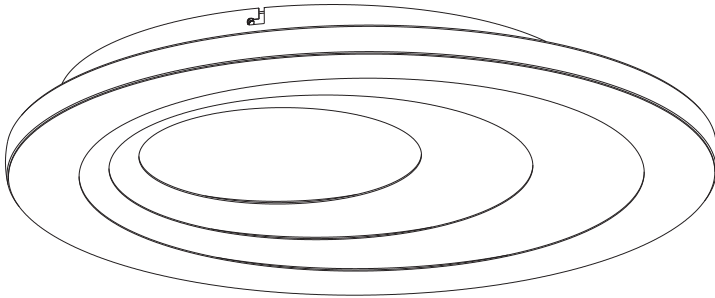
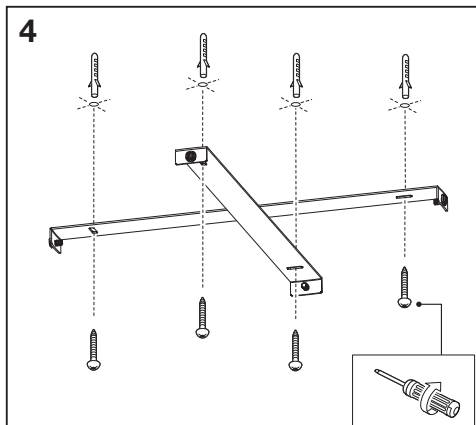
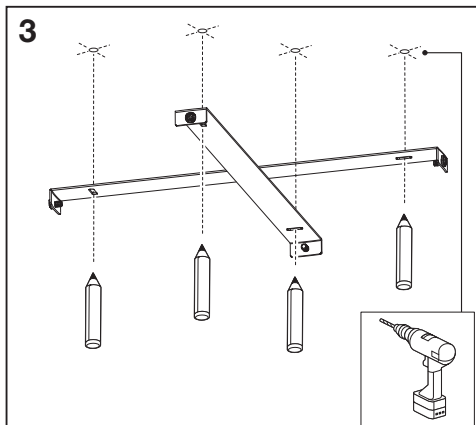
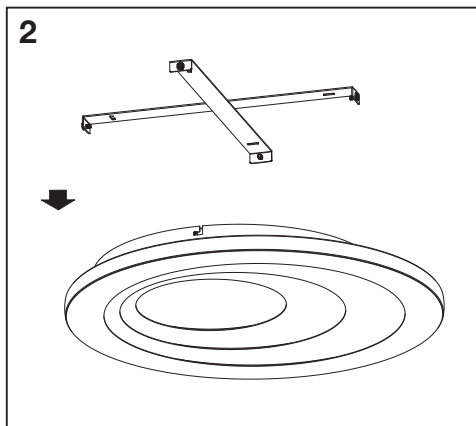
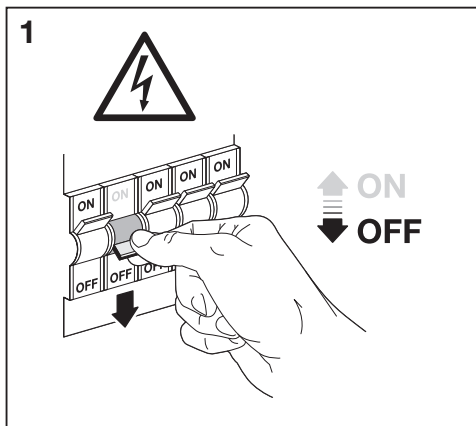
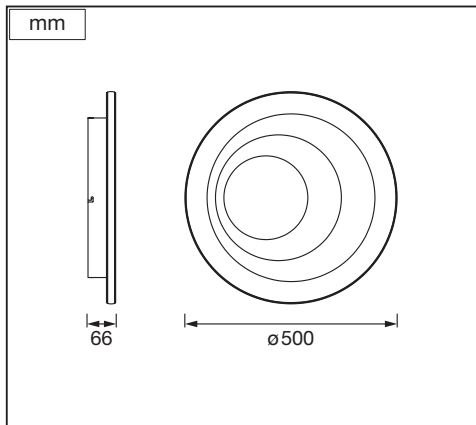
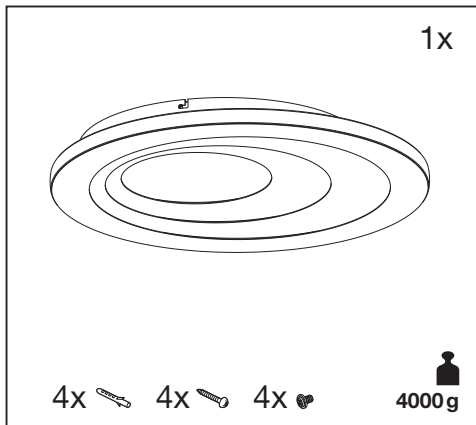


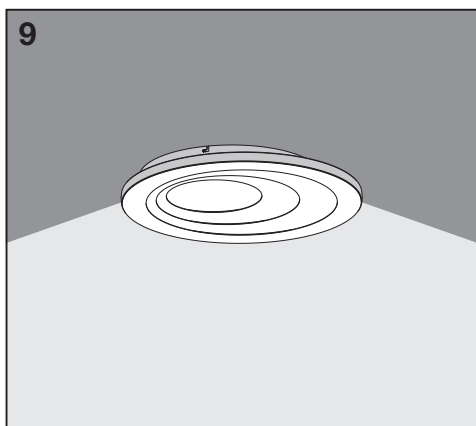
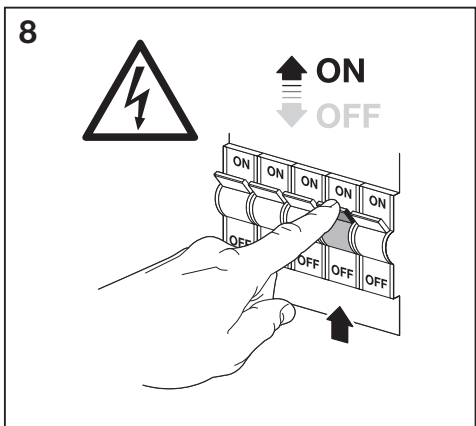
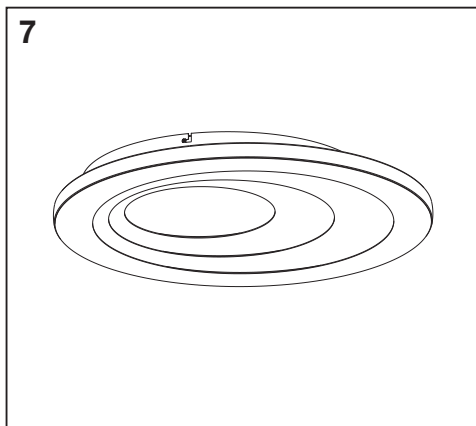
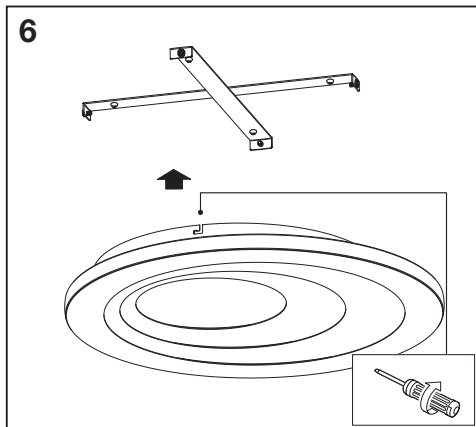
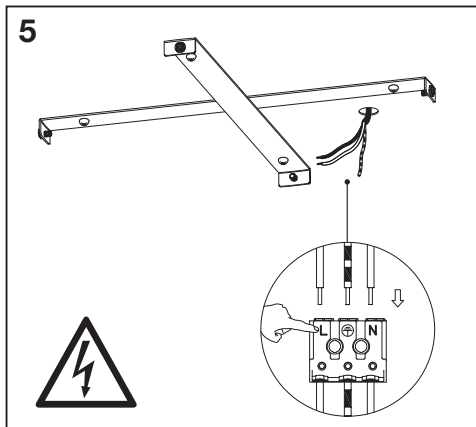





## SMART ORBIS SPIRAL



	EAN	W	Module lm	Fixture lm	K	IP	Temp (°C)	V~	mA	Hz	DF
SMART WIFI ORBIS SPIRAL RD 500 TW WT	4058075486607	40	4060	1900	3000- 6500	20	-20...+40	220-240	177	50/60	>0.9





	EAN	This product contains a light source of energy efficiency class	Contained Light Source
SMART WIFI ORBIS SPIRAL RD 500 TW WT	4058075486607	F	Contains 2 light sources 
			Contains 3 light sources 
			Contains 2 light sources 



C10449057  
G11125884  
01.09.2021



LEDVANCE GmbH  
Steinerne Furt 62  
86167 Augsburg, Germany  
[www.ledvance.com](http://www.ledvance.com)