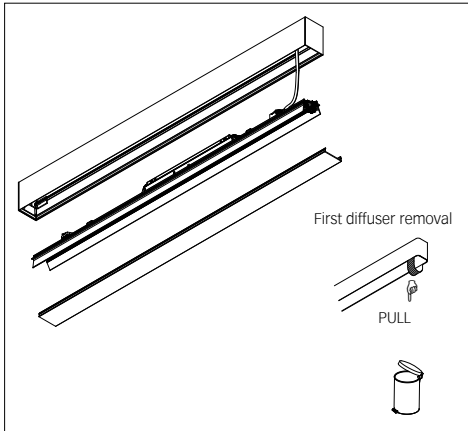
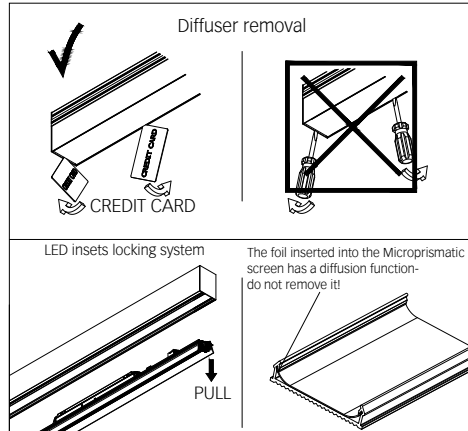


## MATRIC A3 | SYSTEM 55MM SURFACE

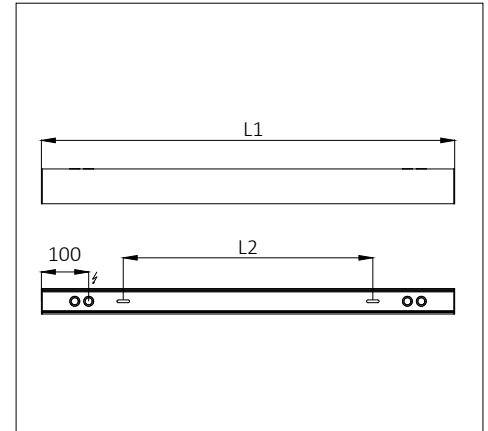
### 1. MONTAGE UND INSTALLATION | MOUNTING AND INSTALLATION:



1. Bei allen Montagearbeiten Handschuhe tragen.  
 Use gloves when handling the fixture.

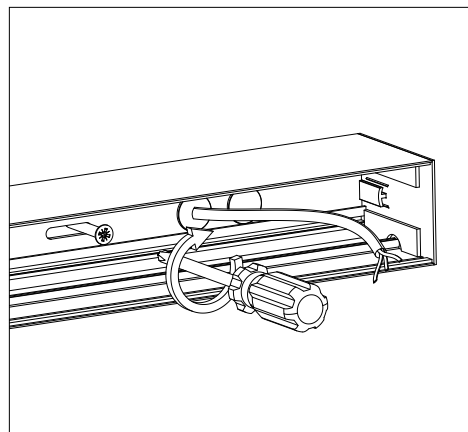


2.

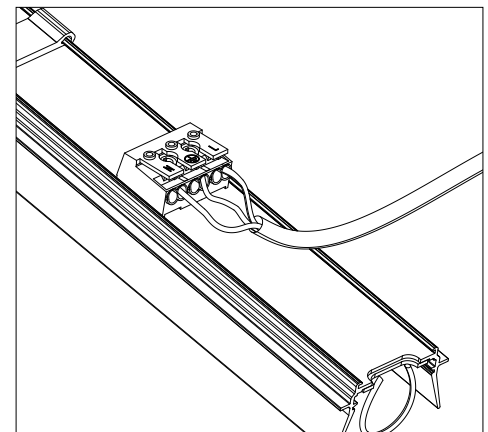


3. Leitungseinführung.  
 Cable entry point.

Opal / Microprismatic / Wallwasher		Lens Louvre	
L1[mm]	L2[mm]	L1[mm]	L2[mm]
600	200	752	352
890	490	1002	602
1182	782	1252	852
1475	1075	1502	1102
1765	1365	1752	1352
2055	1655	2002	1602



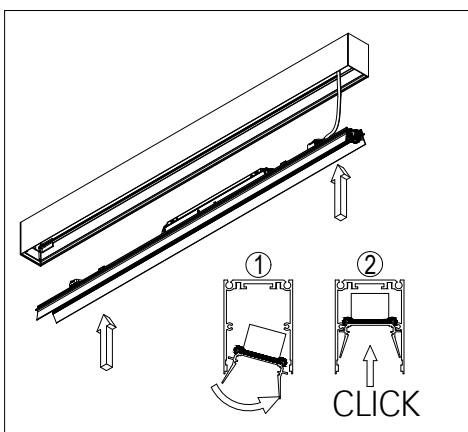
5.



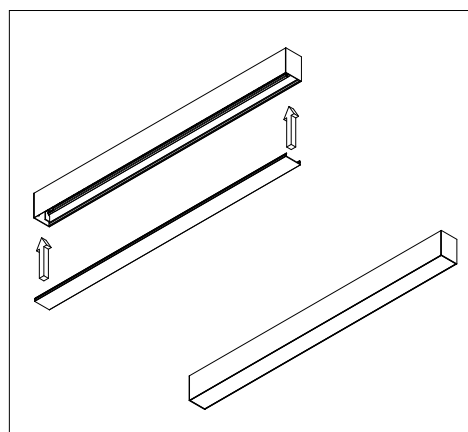
6.

- min/max stripped wire length: 7mm-10mm  
 - max power supply cable: 1,5mm<sup>2</sup>

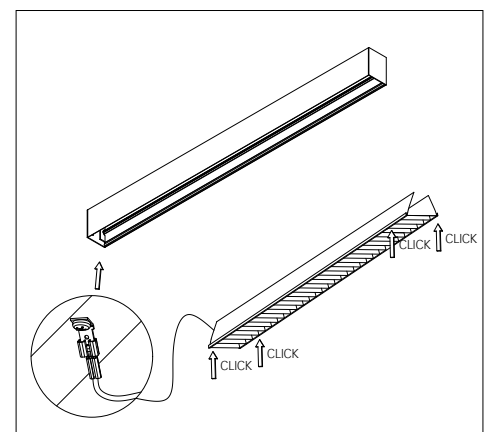
4. Montageöffnungen.  
 Installation openings.



7. All LED gear trays are numbered and the numbering starts from the cable entry side. In non-standard luminaires the numbering of LED gear trays is made in accordance with technical drawings.



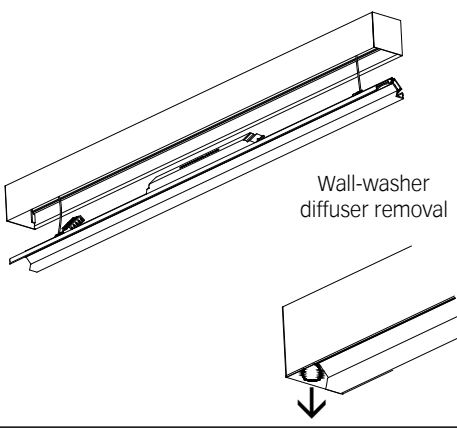
8.



9. Louvre installation.

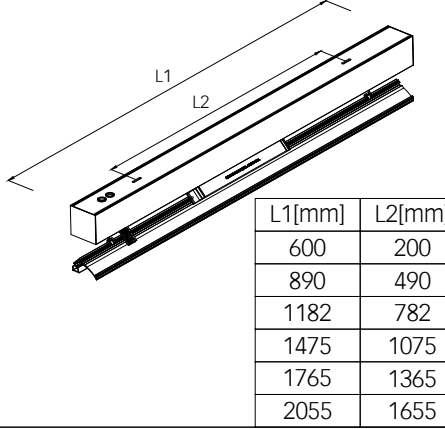
## MATRIC A3 | SYSTEM 55MM SURFACE WALLWASHER

### 1. MONTAGE UND INSTALLATION | MOUNTING AND INSTALLATION:



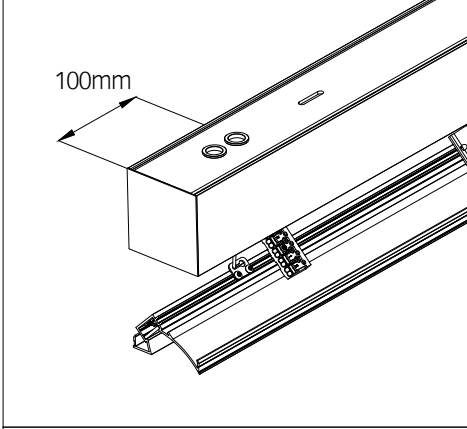
Wall-washer  
diffuser removal

1. Bei allen Montagearbeiten Handschuhe tragen.  
 Use gloves when handling the fixture.



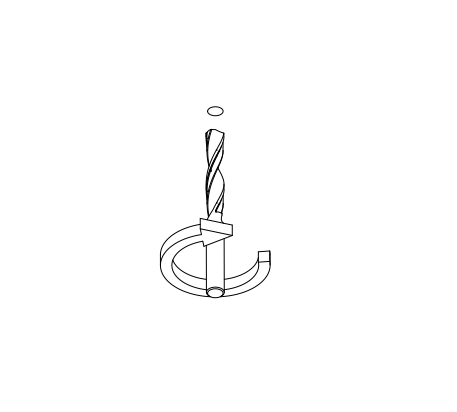
L1[mm]	L2[mm]
600	200
890	490
1182	782
1475	1075
1765	1365
2055	1655

2. Montageöffnungen.  
 Installation openings.

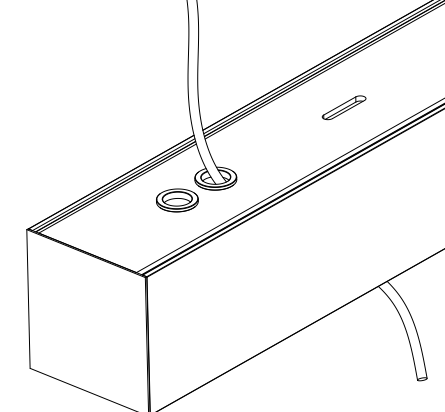


100mm

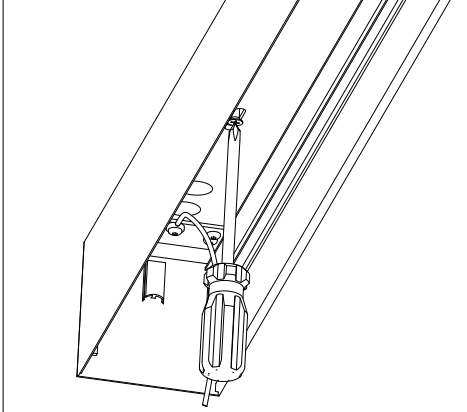
3. Leitungseinführung.  
 Cable entry point.



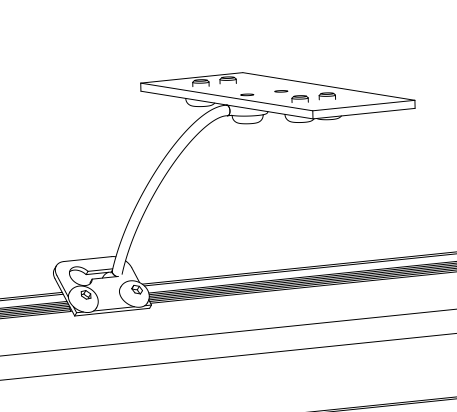
4.



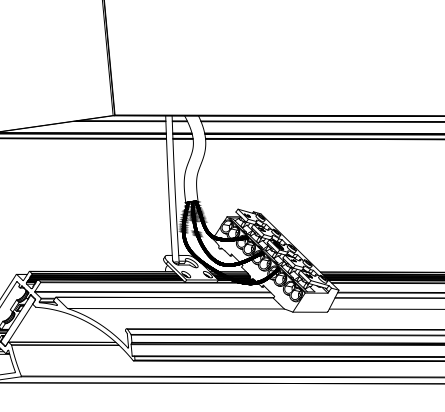
5.



6.

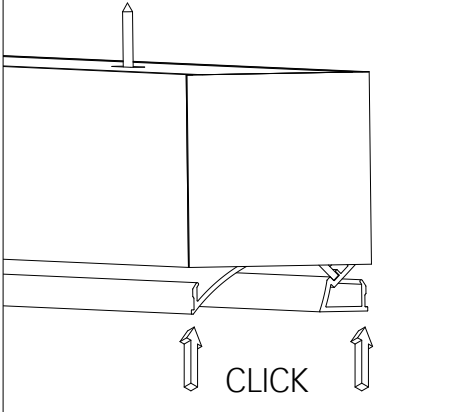


7.



8.

- min/max stripped wire length: 7mm-10mm
- max power supply cable: 1,5mm<sup>2</sup>



CLICK

9. All LED gear trays are numbered and the numbering starts from the cable entry side. In non-standard luminaires the numbering of LED gear trays is made in accordance with technical drawings.

The light source contained in this luminaire shall only be replaced by the manufacturer or his service agent or a similar qualified person.