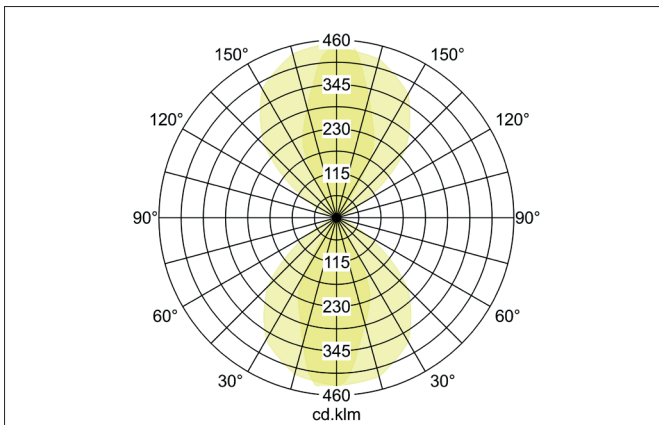
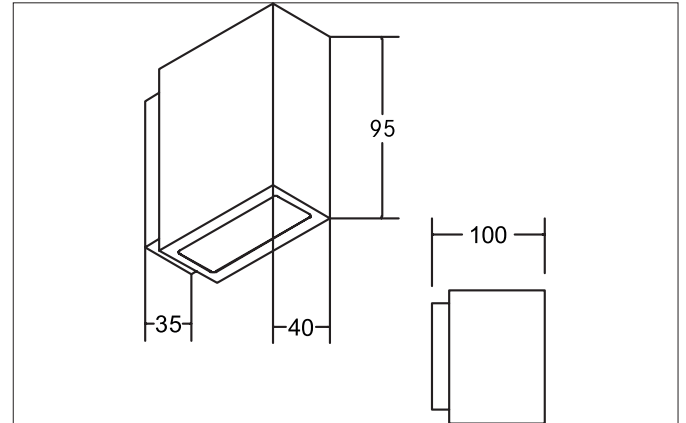


ILICIS LED wall surface mounted luminaire, IP54

Article no. 10013173

Light.
For Generations.



Tender

LED wall surface mounted luminaire, IP54, Rectangular. Ceiling cut-out Installation depth mm, Length 95 mm, Width 40 mm, Weight 0,621 kg, with rotationssymmetrical, deep, wide distributed light intensity. optimal light distribution due to a glass transparent cover. Luminous flux 450 lm, Power 2 x 6 W, System Efficiency 75 lm/W, Light colour warm white, Correlated color temperature (CCT) 3.000 K, Colour rendering index CRI > 80, Housing material: Aluminium / Glass, Colour: White, Permissible ambient temperature (ta): -20 °C - +25 °C, Protection class (EN 61140): I, Degree of protection (DIN EN 60529): IP54, .With electronic driver, on/off switchable.

Article data	
Article no.	10013173
GTIN	4250047766292
Series name	ILICIS
Short description	LED wall surface mounted luminaire, IP54
Material	Aluminium / Glass
Colour	White
Type of surface	Matt
Shape	Rectangular
Length	95 mm
Width	40 mm
Height	100 mm
Scope of delivery	Incl. converter for connection to the 230-V mains voltage
Weight	0.621 kg

ILICIS LED wall surface mounted luminaire, IP54

Article no. 10013173

Light.
For Generations.

Lighting technology	
Colour temperature	3.000 K
Light colour	White
Light output	Direct/Indirect
Luminous flux	450 lm
System efficiency	75 lm/W
Colour rendering	CRI > 80
Reflector	High-gloss
Beam angle	60°
Light sharing	Symmetric

Operating technology of the luminaire	
System output	6 W
Voltage type	AC
AC nominal voltage max	230 V
Frequenz max.	50 Hz
Lamp	LED
Protection class	I
Degree of protection	IP54
Control	on/off
Bulb change possible	The light source of this luminaire may only be replaced by the manufacturer or a service technician commissioned by him or a similarly qualified person.

Mounting technology	
Mounting method	Surface mounting
Place of installation	Wall-mounted
Adjustability	Not adjustable
Material cover	Glass transparent
Suitable for through-wiring	No

Packing data	
Gross weight	0.684 kg
Length of packaging	110 mm
Packaging width	110 mm
Packaging height	80 mm
Disposal at end of life	This product must not be disposed of with household waste. You are obliged, to dispose of such electrical waste separately. By disposing of electrical waste and other old or defective electronics separately, you support recycling or other forms of re-use. In that way you help to take care and to avoid that harmful substances get into the environment.