

Wall mounting socket outlet, chemically resistant - housing dimensions 225x118



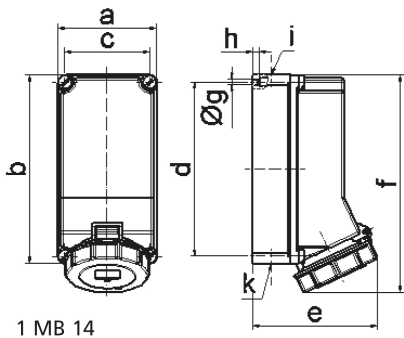
Product description	
BALS-Prd.-Nr	110016
EAN	4024941070034
product category (PG)	TE wall mounting socket outlet Quick-Connect
current (A)	32A
number of poles (P99)	4p
number of poles (P)	3P+PE
position of earth contact (H)	7 h
voltage (V)	480 up to 500V

Product description	
frequency (HZ)	50 and 60Hz
protection degree (SA)	IP67
colour code 1 (KF1)	black RAL 9005
Colour of appliance	Bayonet ring lightbeige, Hinged lid black RAL 9005, Housing top lightbeige, Housing bottom lightbeige, Housing screws lightbeige
connection design (AT)	screwless spring terminals as cage clamp with Kontex-contact
maximum conductor size (LQ)	10,0 qmm
cable entry (KE)	top entry M25/M25 bottom entry M25
Height	260mm
Width	118mm
Depth	144mm
dimension of enclosure (GG)	225x118 mm (HxW)
material of enclosure (GM)	Polycarbonate+Polyester light - beige
contact	The contact carrier is made of high temperature resistant material, the contacts are brass nickel plated

Additional technical properties	
	The cable entry is one at top open, one at top is closed, and two at bottom are closed

Logistics data	
Weight/pcs	0.0 kg / Piece
Packaging	Carton

Logistics data	
Content amount	1 ST
EAN	4024941070034
Length	275 mm
Width	175 mm
Height	137 mm
Weight	0.125 kg
Volume	5,737.5 ccm



Ampere Polzahl	32 3	32 4	32 5				
a	118,0	118,0	118,0				
b	225,0	225,0	225,0				
c	101,0	101,0	101,0				
d	208,0	208,0	208,0				
e	143,0	143,0	149,0				
f	255,0	255,0	255,0				
g ø	6,5	6,5	6,5				
h	8,0	8,0	8,0				
i	2xM25	2xM25	2xM25				
k	2xM25	2xM25	2xM25				
Leiter mm ² min	2,5	2,5	2,5				
Leiter mm ² max	10	10	10				