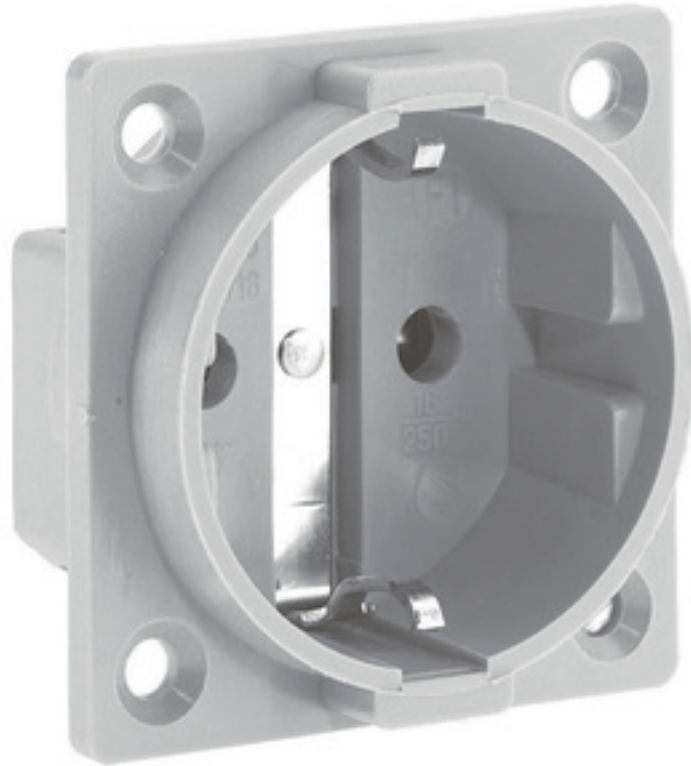


Panel mounting socket outlet, straight - flange 50x50, without hinged cover

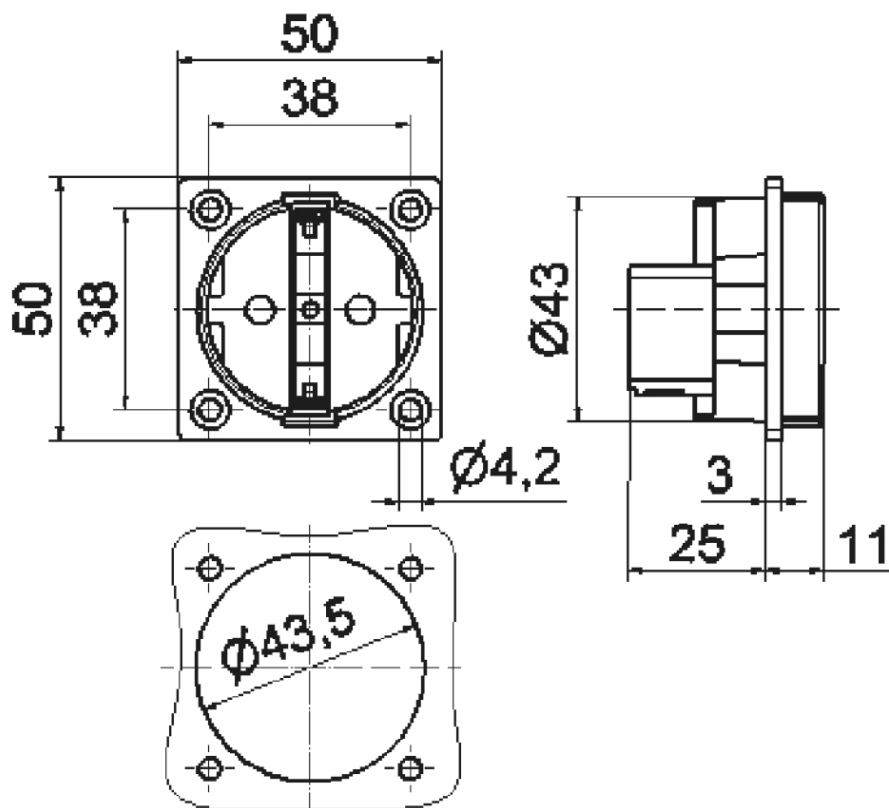


Product description	
BALS-Prd.-Nr	712
EAN	4024941007122
Product category	Domestic panel mounting socket outlet, straight, System F German standard
Current	16A
Number of poles	3p
Poles	2P+PE
Voltage	250V
Frequency	alternating current (AC)

Product description	
Protection degree	IP20
Colour code	gray RAL 7035
Colour of appliance	Enclosure grey RAL 7035
Connection design	head-screw terminal
Maximum conductor size	4,0 qmm
Cable entry	other
Height	50mm
Width	50mm
Depth	36mm
Flange size vertical	50mm
Flange size horizontal	50mm
Drill hole distance vertical	38mm
Drill hole distance horizontal	38mm
Material of enclosure	Polyamide
Contact	The contact carrier is made of polyamide, the contacts are brass nickel plated

Additional technical properties	
	The connection is rear
	Without hinged lid

Logistics data	
Weight/pcs	0.02 kg / Piece
Packaging	Carton
Content amount	20 ST
EAN	4024941835589
Length	276 mm
Width	174 mm
Height	80 mm
Weight	0.512 kg
Volume	2,808 ccm



18 MB 1