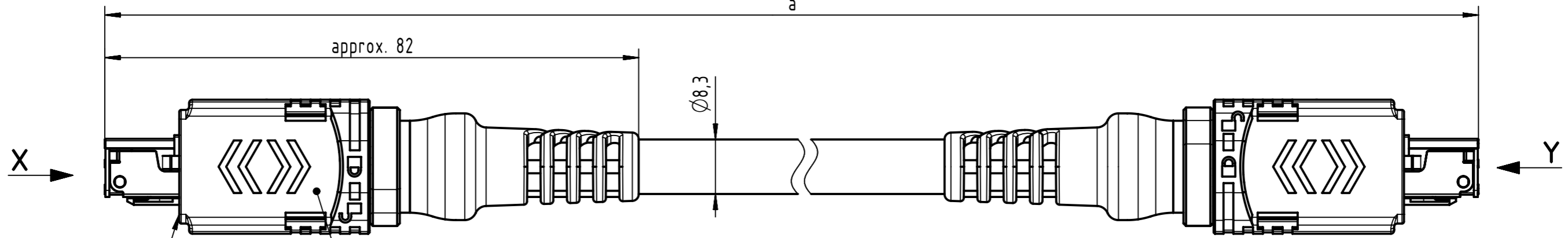


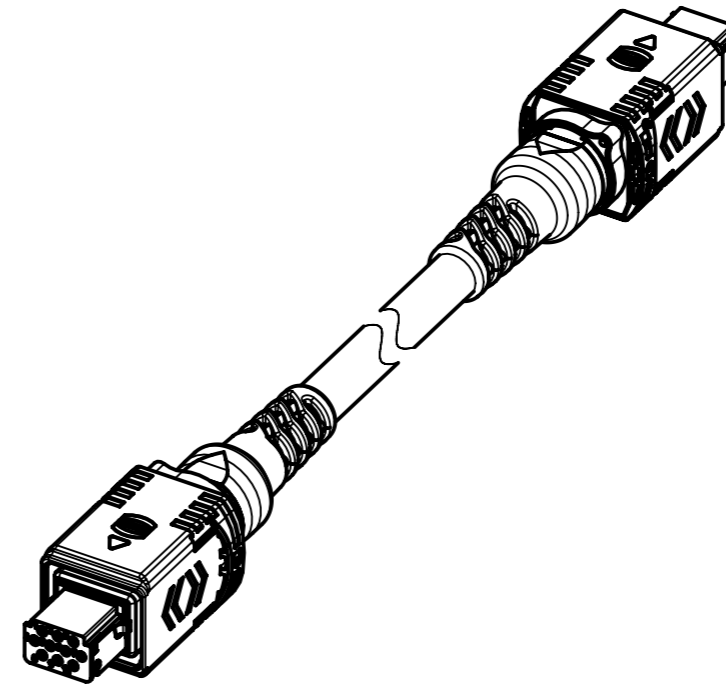
Connector Location A

Connector Location B



Locking technology acc. to IEC 61076-3-106, variant 4

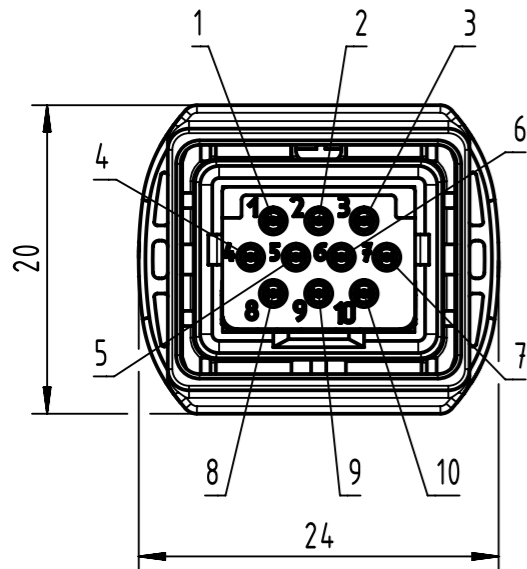
HARTING PushPull V4 2.0 Signal, 10-pole, overmolded



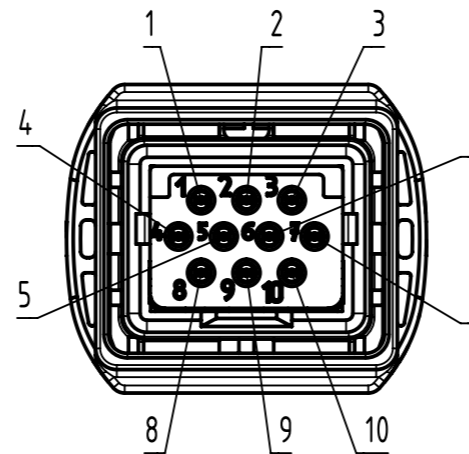
X female

Y female

Loading Plan



1	black 1	1
2	black 2	2
3	black 3	3
4	black 4	4
5	black 5	5
6	black 6	6
7	black 7	7
8	black 8	8
9	black 9	9
10	green/yellow	10



6.0 to 100	±1%
0.6 to 5.9	+0.04
0.2 to 0.5	+0.02
a [m]	Tolerance

length in "1m" step	100	XXX=000
	99	XXX=990
	.	.
	12	XXX=120
length in "0.1m" step	11	XXX=110
	10	XXX=100
	9.9	XXX=099
	9.8	XXX=098
	.	.
	0.5	XXX=005
0.4	XXX=004	
0.3	XXX=003	
0.2	XXX=002	
Step	a [m]	XXX

Flexible PVC cable, oil resistant, 10xAWG20, grey	094831318A6XXX
Type of cable	Part no.

- Protection level: IP65
- Temperature range: -40°C ... +70°C

All Dimensions in mm		Tech. Character.		Free size tol.		According to production drawing	
All rights reserved Department HCS - GPM		Created by 407576 Stoica	Inspected by COSTEA Costea	Standardisation BANCIUD Banciu	Date 2024-03-07	State Final Release	
HARTING Customised Solutions D-32339 Espelkamp		Title PPV4 2.0 Signal 10p d.e. 10G0.5qmm				Doc-Key / ECM-Nr. 100696923/UGD/000/D 500000265029	
		Type TB	Number 094831318A6XXX		Rev. D	Page 1/1	