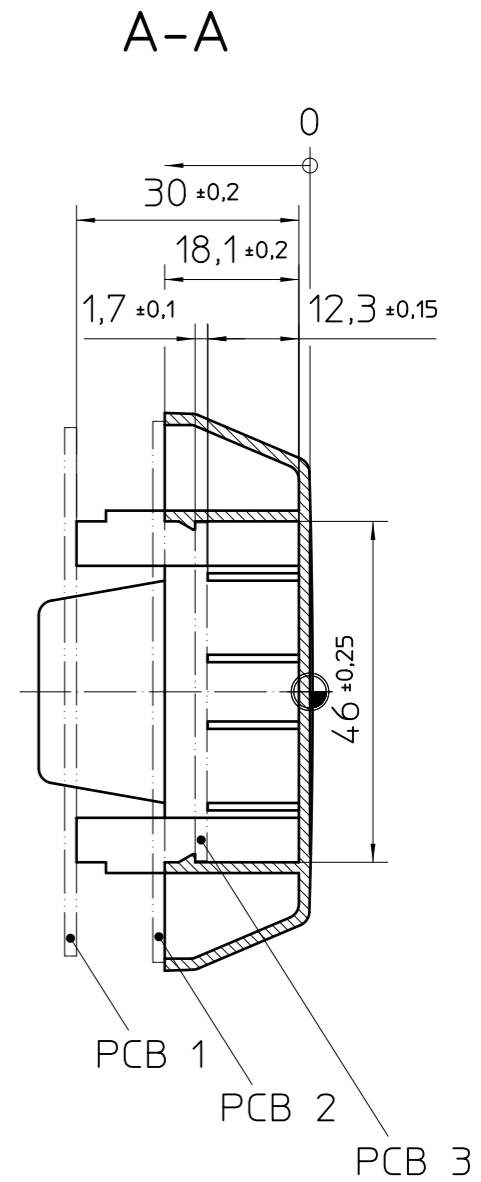
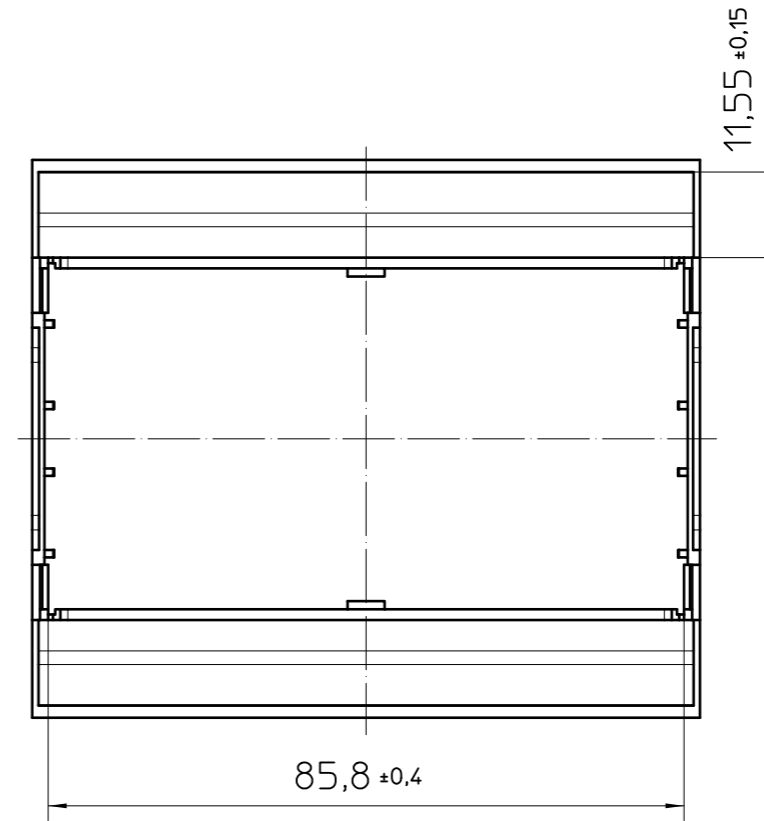
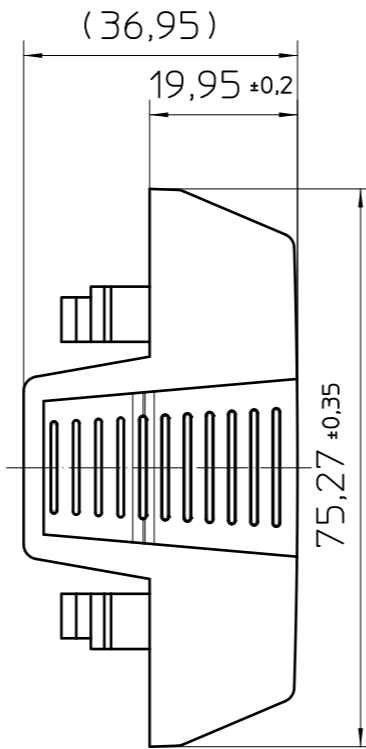
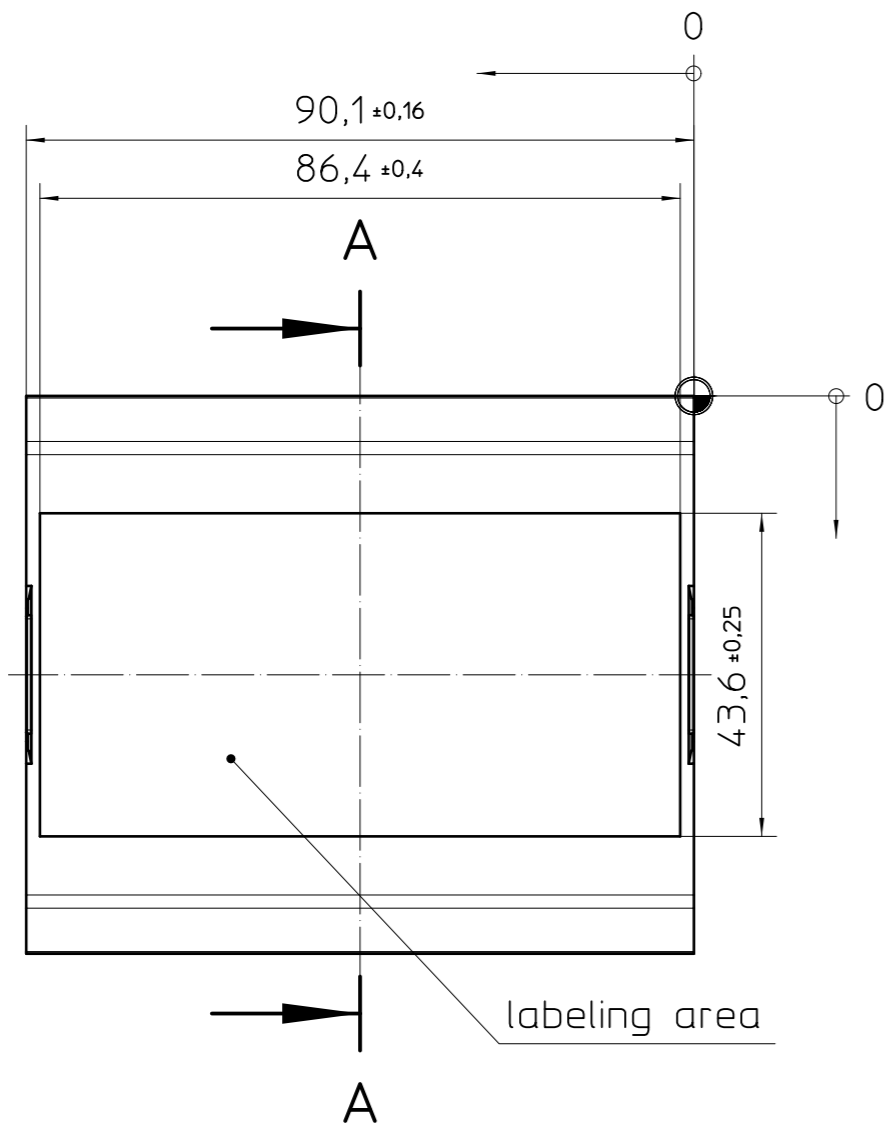
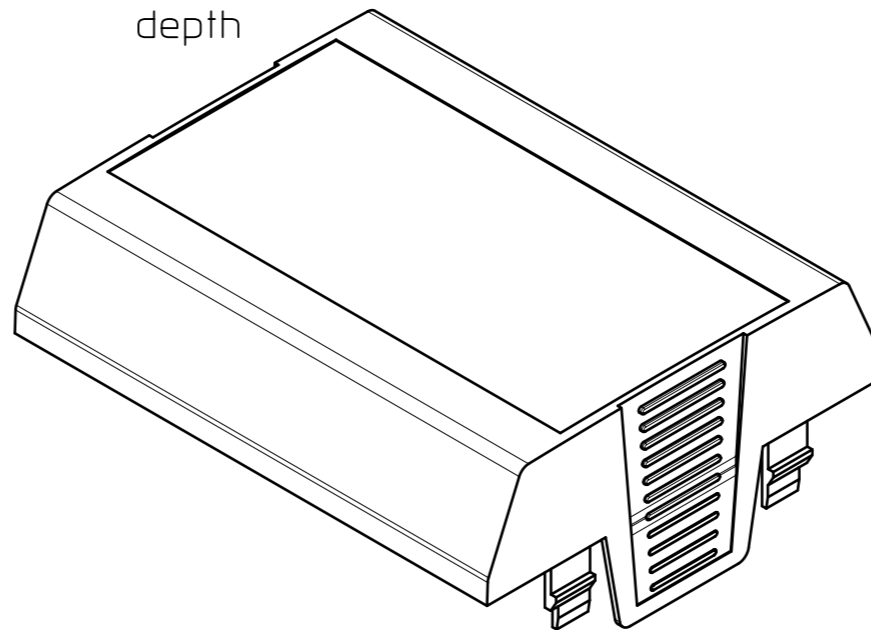


Transfer or duplication of this document as well as the utilisation or communication of its content are not permitted unless express consent is granted. Violations give rise to claims for damages. All rights reserved in case of patent, utility model or design patent registrations.

Weitergabe sowie Vervielfältigung dieses Dokuments, Verwertung und Mitteilung seines Inhalts sind verboten, soweit nicht ausdrücklich gestattet. Zuwiderhandlungen verpflichten zu Schadenersatz. Alle Rechte für den Fall der Patent-, Gebrauchsmuster- oder Designeintragung vorbehalten.



height
width
depth



General Information

⊕ = workpiece zero point for mechanical processing

- Simplified representation
- Document excluded from change process
- CAD Data see Download-Center on www.phoenixcontact.com
- Linear dimensions [mm]
- Tolerances, apply in a normal climate according to DIN 50014-23/50-2

	DIN A3	document-No. / RI 00843475 / 03	date 01.07.2025	scale 1:1
		ident.-No. 1069971	document-type TECDCO 2D_Productdrawing	
page 1		of 1	description EH 90-C CS/ABS-PC BK9005	