

Robert Bosch Power Tools GmbH
70538 Stuttgart
GERMANY

www.bosch-pt.com

1 609 92A 502 (2019.08) T / 39



1 609 92A 502

GNA 18V-16 Professional

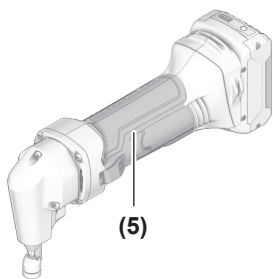
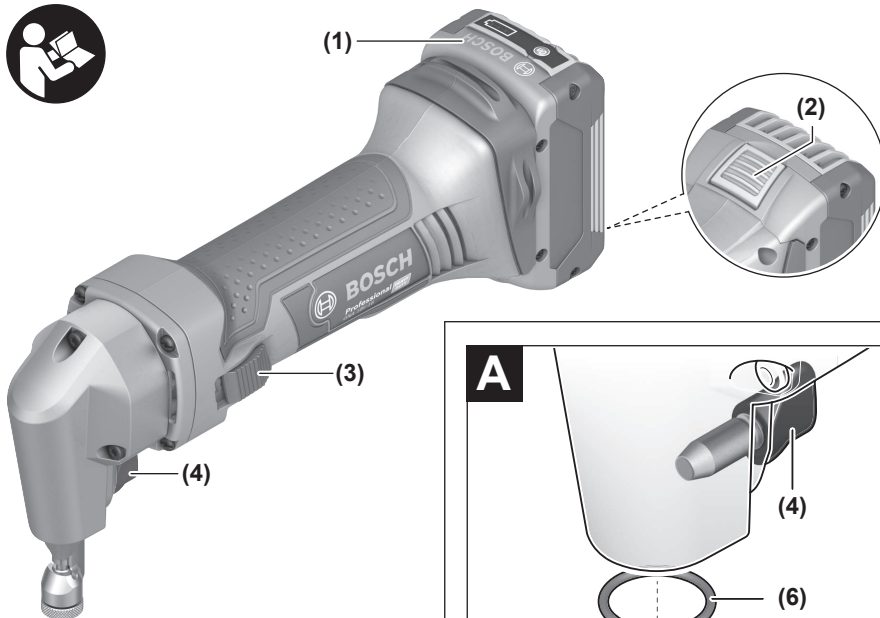
HEAVY
DUTY



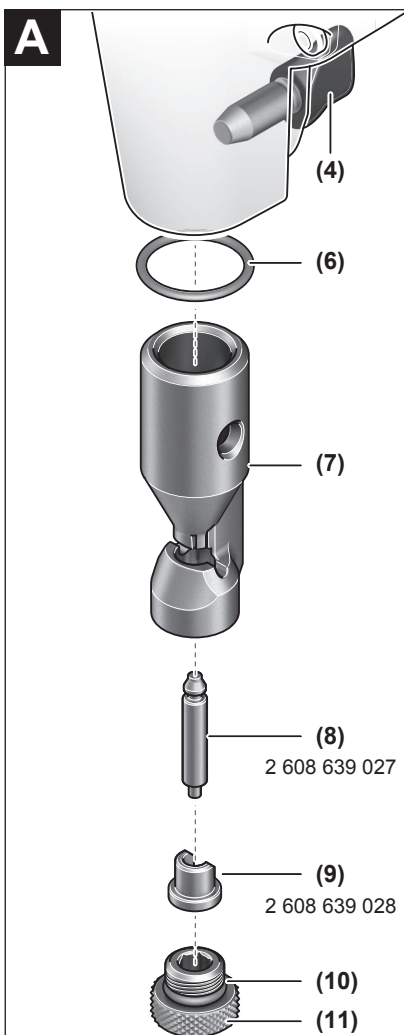
BOSCH

- en Original instructions
- zh 正本使用说明书
- zh 原始使用說明書
- ko 사용 설명서 원본
- th หนังสือคู่มือการใช้งานฉบับต้นแบบ
- id Petunjuk-Petunjuk untuk Penggunaan Orisinal
- vi Bản gốc hướng dẫn sử dụng

English	Page	4
中文	页	11
繁體中文	頁	14
한국어	페이지	19
ไทย	หน้า	23
Bahasa Indonesia	Halaman	29
Tiếng Việt	Trang	34



GNA 18V-16



English

Safety instructions

General Power Tool Safety Warnings

⚠ WARNING Read all safety warnings, instructions, illustrations and specifications provided with this power tool. Failure to follow all instructions listed below may result in electric shock, fire and/or serious injury.

Save all warnings and instructions for future reference.

The term "power tool" in the warnings refers to your mains-operated (corded) power tool or battery-operated (cordless) power tool.

Work area safety

- ▶ **Keep work area clean and well lit.** Cluttered or dark areas invite accidents.
- ▶ **Do not operate power tools in explosive atmospheres, such as in the presence of flammable liquids, gases or dust.** Power tools create sparks which may ignite the dust or fumes.
- ▶ **Keep children and bystanders away while operating a power tool.** Distractions can cause you to lose control.

Electrical safety

- ▶ **Power tool plugs must match the outlet. Never modify the plug in any way. Do not use any adapter plugs with earthed (grounded) power tools.** Unmodified plugs and matching outlets will reduce risk of electric shock.
- ▶ **Avoid body contact with earthed or grounded surfaces, such as pipes, radiators, ranges and refrigerators.** There is an increased risk of electric shock if your body is earthed or grounded.
- ▶ **Do not expose power tools to rain or wet conditions.** Water entering a power tool will increase the risk of electric shock.
- ▶ **Do not abuse the cord. Never use the cord for carrying, pulling or unplugging the power tool. Keep cord away from heat, oil, sharp edges or moving parts.** Damaged or entangled cords increase the risk of electric shock.
- ▶ **When operating a power tool outdoors, use an extension cord suitable for outdoor use.** Use of a cord suitable for outdoor use reduces the risk of electric shock.
- ▶ **If operating a power tool in a damp location is unavoidable, use a residual current device (RCD) protected supply.** Use of an RCD reduces the risk of electric shock.

Personal safety

- ▶ **Stay alert, watch what you are doing and use common sense when operating a power tool. Do not use a power tool while you are tired or under the influence of drugs, alcohol or medication.** A moment of inatten-

tion while operating power tools may result in serious personal injury.

- ▶ **Use personal protective equipment. Always wear eye protection.** Protective equipment such as a dust mask, non-skid safety shoes, hard hat or hearing protection used for appropriate conditions will reduce personal injuries.
- ▶ **Prevent unintentional starting. Ensure the switch is in the off-position before connecting to power source and/or battery pack, picking up or carrying the tool.** Carrying power tools with your finger on the switch or energising power tools that have the switch on invites accidents.
- ▶ **Remove any adjusting key or wrench before turning the power tool on.** A wrench or a key left attached to a rotating part of the power tool may result in personal injury.
- ▶ **Do not overreach. Keep proper footing and balance at all times.** This enables better control of the power tool in unexpected situations.
- ▶ **Dress properly. Do not wear loose clothing or jewellery. Keep your hair and clothing away from moving parts.** Loose clothes, jewellery or long hair can be caught in moving parts.
- ▶ **If devices are provided for the connection of dust extraction and collection facilities, ensure these are connected and properly used.** Use of dust collection can reduce dust-related hazards.
- ▶ **Do not let familiarity gained from frequent use of tools allow you to become complacent and ignore tool safety principles.** A careless action can cause severe injury within a fraction of a second.

Power tool use and care

- ▶ **Do not force the power tool. Use the correct power tool for your application.** The correct power tool will do the job better and safer at the rate for which it was designed.
- ▶ **Do not use the power tool if the switch does not turn it on and off.** Any power tool that cannot be controlled with the switch is dangerous and must be repaired.
- ▶ **Disconnect the plug from the power source and/or remove the battery pack, if detachable, from the power tool before making any adjustments, changing accessories, or storing power tools.** Such preventive safety measures reduce the risk of starting the power tool accidentally.
- ▶ **Store idle power tools out of the reach of children and do not allow persons unfamiliar with the power tool or these instructions to operate the power tool.** Power tools are dangerous in the hands of untrained users.
- ▶ **Maintain power tools and accessories. Check for misalignment or binding of moving parts, breakage of parts and any other condition that may affect the power tool's operation. If damaged, have the power tool repaired before use.** Many accidents are caused by poorly maintained power tools.

- ▶ **Keep cutting tools sharp and clean.** Properly maintained cutting tools with sharp cutting edges are less likely to bind and are easier to control.
- ▶ **Use the power tool, accessories and tool bits etc. in accordance with these instructions, taking into account the working conditions and the work to be performed.** Use of the power tool for operations different from those intended could result in a hazardous situation.
- ▶ **Keep handles and grasping surfaces dry, clean and free from oil and grease.** Slippery handles and grasping surfaces do not allow for safe handling and control of the tool in unexpected situations.

Battery tool use and care

- ▶ **Recharge only with the charger specified by the manufacturer.** A charger that is suitable for one type of battery pack may create a risk of fire when used with another battery pack.
- ▶ **Use power tools only with specifically designated battery packs.** Use of any other battery packs may create a risk of injury and fire.
- ▶ **When battery pack is not in use, keep it away from other metal objects, like paper clips, coins, keys, nails, screws or other small metal objects, that can make a connection from one terminal to another.** Shorting the battery terminals together may cause burns or a fire.
- ▶ **Under abusive conditions, liquid may be ejected from the battery; avoid contact. If contact accidentally occurs, flush with water. If liquid contacts eyes, additionally seek medical help.** Liquid ejected from the battery may cause irritation or burns.
- ▶ **Do not use a battery pack or tool that is damaged or modified.** Damaged or modified batteries may exhibit unpredictable behaviour resulting in fire, explosion or risk of injury.
- ▶ **Do not expose a battery pack or tool to fire or excessive temperature.** Exposure to fire or temperature above 130 °C may cause explosion.
- ▶ **Follow all charging instructions and do not charge the battery pack or tool outside the temperature range specified in the instructions.** Charging improperly or at temperatures outside the specified range may damage the battery and increase the risk of fire.

Service

- ▶ **Have your power tool serviced by a qualified repair person using only identical replacement parts.** This will ensure that the safety of the power tool is maintained.
- ▶ **Never service damaged battery packs.** Service of battery packs should only be performed by the manufacturer or authorized service providers.

Safety instructions for nibblers

- ▶ **This power tool is not suitable for bench-mounted use.** It must not be clamped into a vice or fastened to a workbench, for example.

- ▶ **Wear protective gloves during work.** Sharp burrs develop on the cut sheets; these can cause injury.
- ▶ **In case of damage and improper use of the battery, vapours may be emitted. The battery can set alight or explode.** Ensure the area is well ventilated and seek medical attention should you experience any adverse effects. The vapours may irritate the respiratory system.
- ▶ **Do not open the battery.** There is a risk of short-circuiting.
- ▶ **The battery can be damaged by pointed objects such as nails or screwdrivers or by force applied externally.** An internal short circuit may occur, causing the battery to burn, smoke, explode or overheat.
- ▶ **Only use the battery with products from the manufacturer.** This is the only way in which you can protect the battery against dangerous overload.



Protect the battery against heat, e.g. against continuous intense sunlight, fire, dirt, water and moisture. There is a risk of explosion and short-circuiting.



Product Description and Specifications



Read all the safety and general instructions.

Failure to observe the safety and general instructions may result in electric shock, fire and/or serious injury.

Please observe the illustrations at the beginning of this operating manual.

Intended Use

The power tool is intended for cutting sheet metal without deforming the material and is suitable for straight cuts, cut-outs and narrow curves.

Product features

The numbering of the product features refers to the diagram of the power tool on the graphics page.

- (1) Battery^{A)}
- (2) Battery release button^{A)}
- (3) On/off switch
- (4) Die holder screw
- (5) Handle (insulated gripping surface)
- (6) O-ring
- (7) Die holder
- (8) Punch
- (9) Die
- (10) Rubber ring for knurled screw
- (11) Knurled screw for die

A) **Accessories shown or described are not included with the product as standard. You can find the complete selection of accessories in our accessories range.**

Technical data

Nibbler	GNA 18V-16	
Article number	3 601 E29 5..	
Rated voltage	V=	18
No-load stroke rate n_0	min ⁻¹	1400
Max. steel sheet cutting capacity ^{A)}	mm	1.6
Cutting width	mm	5
Smallest curve radius	mm	40
Weight according to EPTA-Procedure 01:2014	kg	2.2–3.0 ^{B)}
Recommended ambient temperature during charging	°C	0 to +35
Permitted ambient temperature during operation ^{C)} and during storage	°C	-20 to +50
Recommended batteries	GBA 18V... ProCORE18V...	
Recommended chargers	GAL 18... GAX 18... GAL 36...	

A) with reference to steel sheet of up to 400 N/mm²

B) Depends on battery in use

C) Limited performance at temperatures <0 °C

Assembly

Charging the Battery

► **Use only the chargers listed in the technical data.** Only these chargers are matched to the lithium-ion battery of your power tool.

Note: The battery is supplied partially charged. To ensure full battery capacity, fully charge the battery in the charger before using your power tool for the first time.

The lithium-ion battery can be charged at any time without reducing its service life. Interrupting the charging process does not damage the battery.

The lithium-ion battery is protected against deep discharge by the "Electronic Cell Protection (ECP)". When the battery is discharged, the power tool is switched off by means of a protective circuit: The application tool no longer rotates.

► **Do not continue to press the On/Off switch after the power tool has automatically switched off.** The battery can be damaged.

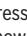
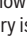
Removing the battery

The battery (1) is equipped with two locking levels to prevent the battery from falling out if the battery release button (2) is pressed unintentionally. As long as the battery is inserted in the power tool, it is held in position by means of a spring.

To remove the battery (1), press the battery release button (2) and pull the battery out of the power tool. **Do not use force to do this.**

Battery charge indicator

The green LEDs on the battery charge indicator indicate the state of charge of the battery. For safety reasons, it is only possible to check the state of charge when the power tool is not in operation.

Press the button for the battery charge indicator  or  to show the state of charge. This is also possible when the battery is removed.

If no LED lights up after pressing the button for the battery charge indicator, then the battery is defective and must be replaced.

Battery model GBA 18V...



LEDs	Capacity
3× continuous green light	60–100 %
2× continuous green light	30–60 %
1× continuous green light	5–30 %
1× flashing green light	0–5 %

Battery model ProCORE18V...



LEDs	Capacity
5× continuous green light	80–100 %
4× continuous green light	60–80 %
3× continuous green light	40–60 %
2× continuous green light	20–40 %
1× continuous green light	5–20 %
1× flashing green light	0–5 %

Operation

Starting Operation

Inserting the Battery

Push the charged battery (1) into the base of the power tool until the battery is securely locked.

Switching On and Off

To **switch on** the power tool, slide the on/off switch (3) forwards so that **I** appears on the switch.

To **switch off** the power tool, slide the on/off switch (3) backwards so that **0** appears on the switch.

Changing the cutting direction

To change the cutting direction, the die holder (7) can be turned to three positions, each offset by 90°. Cutting to-

wards the rear (towards the housing of the machine) is not possible.

To turn the die holder (7), loosen the die holder screw (4) until the die holder can be turned. Turn it 90° to the right or the left in relation to the longitudinal axle of the power tool.

Make sure that the screw (4) engages in the drill hole of the die holder (7). Tighten the screw.

Working Advice

- ▶ **Remove the battery from the power tool before carrying out work on the power tool (e.g. maintenance, changing tool, etc.). The battery should also be removed for transport and storage.** There is risk of injury from unintentionally pressing the on/off switch.
- ▶ **This power tool is not suitable for bench-mounted use.** It must not be clamped into a vice or fastened to a workbench, for example.
- ▶ **Wear protective gloves during work.** Sharp burrs develop on the cut sheets; these can cause injury.
- ▶ **Exercise caution when handling the cutting chips.** The chips have sharp tips that can cause injuries.

Apply the power tool to the workpiece only when switched on. Always hold the power tool vertical to the surface of the steel sheet and do not tilt it.

The cut is made as the punch moves downwards. Guide the power tool evenly, pushing it gently in the cutting direction. Applying too much pressure to the power tool will significantly reduce the service life of application tools and can damage the power tool.

The power tool operates more quietly when it is raised slightly during cutting. If the punch jams during cutting, switch the power tool off, lubricate the punch and release the sheet. Do not use force to do this, as this will damage the punch and the die.

Maximum steel sheet cutting capacity

The maximum steel sheet cutting capacity d_{\max} depends on the strength properties of the material to be cut.

The power tool allows for cutting of metal sheet to the following thicknesses:

Material	max. strength (N/mm ²)	d_{\max} (mm)
Steel	400	1.6
	600	1.0
	800	0.7
Aluminium	200	2.0

Lubricating/cooling the punch

To extend the service life of the punch (8), a lubricating agent with good cooling properties (e.g. cutting oil) should be used.

Apply a line of lubricant to the top side of the metal sheet along the intended cutting line.

Cutting along a cutting mark or with a guide

Straight cuts are carried out easier when the power tool is guided alongside a rule.

Contours can be cut by guiding the power tool along a template.

For inside cuts, a hole with a diameter of 21 mm must be pre-drilled.

Temperature Dependent Overload Protection

In normal conditions of use, the power tool cannot be overloaded. If the power tool is overloaded or the battery temperature is outside the permitted range, the stroke rate is reduced or the power tool shuts down. When the stroke rate is reduced, the power tool will not run at the full stroke rate again until the battery temperature is back within the permitted range. In the event of automatic shutdown, switch off the power tool and allow the battery to cool down before switching the tool on again.

Recommendations for Optimal Handling of the Battery

Protect the battery against moisture and water.

Only store the battery within a temperature range of -20 to 50 °C. Do not leave the battery in your car in the summer, for example.

Occasionally clean the ventilation slots on the battery using a soft brush that is clean and dry.

A significantly reduced operating time after charging indicates that the battery has deteriorated and must be replaced.

Follow the instructions on correct disposal.

Maintenance and Service

Maintenance and Cleaning

- ▶ **Remove the battery from the power tool before carrying out work on the power tool (e.g. maintenance, changing tool, etc.). The battery should also be removed for transport and storage.** There is risk of injury from unintentionally pressing the on/off switch.
- ▶ **To ensure safe and efficient operation, always keep the power tool and the ventilation slots clean.**

Clean and lubricate the punch (8) and die (9) every three operating hours.

Change the punch and die in good time when worn. Only sharp tools produce a good cutting quality and make the power tool last longer.

The punch (8) and the die (9) may not be resharpened.

Changing the die

Unscrew the knurled screw (11) from the die holder (7). Take out the die (9).

If necessary, clean the die holder (7). Put a new, well greased die (9) into the die holder. Pay attention to the alignment of the flat side.

Screw back on the knurled screw (11) with the rubber ring (10) attached. Use a hex key to tighten the screw against the resistance of the rubber ring (3–4 Nm).

Changing the punch

Loosen the die holder screw **(4)** and pull the die holder **(7)** completely out of the housing.

Slide the punch **(8)** sideways out of the mounting and pull it out in a downward motion.

Put a new, well greased punch **(8)** in the groove of the mounting and centre it.

Push the die holder **(7)** carefully over the punch and back into the housing. Turn the die holder into one of the three possible positions depending on the cutting direction required. Firmly tighten the die holder screw **(4)**.

After-Sales Service and Application Service

Our after-sales service responds to your questions concerning maintenance and repair of your product as well as spare parts. You can find explosion drawings and information on spare parts at: www.bosch-pt.com

The Bosch product use advice team will be happy to help you with any questions about our products and their accessories.

In all correspondence and spare parts orders, please always include the 10-digit article number given on the nameplate of the product.

Cambodia

Robert Bosch (Cambodia) Co., Ltd
Unit 8BC, GT Tower, 08th Floor, Street 169,
Czechoslovakia Blvd, Sangkat Veal Vong
Khan 7 Makara, Phnom Penh
VAT TIN: 100 169 511
Tel.: +855 23 900 685
Tel.: +855 23 900 660
www.bosch.com.kh

People's Republic of China**China Mainland**

Bosch Power Tool (China) Co. Ltd.
Bosch Service Center
567, Bin Kang Road
Bin Kang District
Hangzhou, Zhejiang Province
China 310052
Tel.: (0571) 8887 5566 / 5588
Fax: (0571) 8887 6688 x 5566# / 5588#
E-Mail: bsc.hz@cn.bosch.com
www.bosch-pt.com.cn

HK and Macau Special Administrative Regions

Robert Bosch Co. Ltd.
Flat B, 2/F, Yeung Yiu Chung No. 6 Industrial Building,
19 Cheung Shun Street
Cheung Sha Wan
Kowloon, Hong Kong
Customer Service Hotline: +852 2101 0235
Fax: +852 2590 9762
E-Mail: info@hk.bosch.com
www.bosch-pt.com.hk

India

Bosch Service Center
69, Habibullah Road, (Next to PSBB School), T. Nagar
Chennai-600077
Phone: (044) 64561816

Bosch Service Center
18, Community Center
Phase 1, Mayapuri
New Delhi-110064
Phone: (011) 43166190

Indonesia

PT Robert Bosch
Palma Tower 10th Floor
Jalan RA Kartini II-S Kaveling 6
Pondok Pinang, Kebayoran Lama
Jakarta Selatan 12310
Tel.: (21) 3005-5800
www.bosch-pt.co.id

Malaysia

Robert Bosch Sdn. Bhd.(220975-V) PT/SMY
No. 8A, Jalan 13/6
46200 Petaling Jaya
Selangor
Tel.: (03) 79663194
Toll-Free: 1800 880188
Fax: (03) 79583838
E-Mail: kiathoe.chong@my.bosch.com
www.bosch-pt.com.my

Pakistan

Robert Bosch Middle East FZE – Pakistan Liaison Office
2nd Floor Plaza # 10, CCA Block, DHA Phase 5
Lahore, 54810
Phone: +92(303)4444311
Email: Faisal.Khan@bosch.com

Philippines

Robert Bosch, Inc.
28th Floor Fort Legend Towers,
3rd Avenue corner 31st Street,
Fort Bonifacio, Global City,
1634 Taguig City
Tel.: (632) 8703871
Fax: (632) 8703870
www.bosch-pt.com.ph

Singapore

Powerwell Service Centre Ptd Ltd
Bosch Authorised Service Centre (Power Tools)
4012 Ang Mo Kio Ave 10, #01-02 TECHplace
Singapore 569628
Tel.: 6452 1770
Fax: 6452 1760
E-Mail: ask@powerwellsc.com
www.powerwellsc.com
www.bosch-pt.com.sg

Thailand

Robert Bosch Ltd.
FYI Center Tower 1, 5th Floor,

2525 Rama IV Road, Klongtoei,
Bangkok 10110
Tel.: 02 0128888
Fax: 02 0645802
www.bosch.co.th
Bosch Service – Training Centre
La Salle Tower Ground Floor Unit No.2
10/11 La Salle Moo 16
Srinakharin Road
Bangkaew, Bang Plee
Samutprakarn 10540
Tel.: 02 7587555
Fax: 02 7587525

Vietnam

Branch of Bosch Vietnam Co., Ltd in HCMC
14th floor, Deutsches Haus, 33 Le Duan
Ben Nghe Ward, District 1, Ho Chi Minh City
Tel.: (028) 6258 3690
Fax: (028) 6258 3692 - 6258 3694
Hotline: (028) 6250 8555
Email: tuvankhachhang-pt@vn.bosch.com
www.bosch-pt.com.vn

Bahrain

EA Juffali and Brothers for Technical Equipment Company.
Kingdom of Bahrain, Al Aker - Block 0624 - Road 2403 -
Building 0055D
Phone: +97317704537
Fax: +973177045257
Email: h.berjas@eajb.com.sa

Egypt

RBEG-LLC
22 Kamal Eldin Hussein
Sheraton Heliopolis
11799 Cairo
E-mail: boschegypt.powertools@eg.bosch.com

Iran

Robert Bosch Iran
3rd Floor, No 3, Maadiran Building
Aftab St., Khodami St., Vanak Sq.
Tehran 1994834571
Phone: +9821- 86092057

Iraq

Sahba Technology Group
Al Muthana airport road
Baghdad
Phone Bagdad: +964 (0) 7 901 930366
Phone Dubai: +971 (0) 4 422 1898
Email: duraid@sahbatechnology.com

Jordan

Roots Arabia – Jordan
Al-Hurriyah Street, Al-Muqabalein
Amman 11623, Jordan
P.O. Box: 110068
Tel. : +962 6 4398990
E-mail: bosch@rootsjordan.com

Kuwait

Shuwaikh Industrial Area, Block 1, Plot 16, Street 3rd
P.O. Box 164 – Safat 13002
Phone: +965 - 2496 88 88
Fax: +965 - 2481 08 79
E-mail: josephkr@aaalmutawa.com

Lebanon

Tehini Hana & Co. S.A.R.L.
P.O. Box 90-449
Jdeideh 1202 2040
Dora-Beirut
Phone: +9611255211
Email: service-pt@tehini-hana.com

Libya

El Naser for Workshop Tools
Swanee Road, Alfalah Area
Tripoli
Phone: +218 21 4811184

Oman

Malatan Trading & Contracting LLC
P.O. Box 131, Ruwi, Muscat
Postal Code: 112, Sultanate of Oman
Phone: +968 2479 4035/4089/4901
Mob: +968-91315465
Fax: +968 2479 4058
E-Mail: sudhirkumar@malatan.net

Qatar

International Construction Solutions W L L
P. O. Box 51, Doha
Phone: +974 40065458
Fax: +974 4453 8585
Email: csd@icsdoha.com

Saudi Arabia

Juffali Technical Equipment Co. (JTECO)
P.O.Box: 1049 – Jeddah 21431 – KSA
Jeddah: 00966 (0) 12 692 0770 – Ext 433
Riyadh: 00966 (0) 11 409 3976 – Ext-30/34/39
Dammam: 00966 (0) 13 833 9565
E-mail: M.Zreik@eajb.com.sa

Syria

Dallal Establishment for Power Tools
Damascus. Baramkeh street - lbn Amer street,
Phone: +963112241006 or 009631122414009
Mobile: 00963991141005
Email: rita.dallal@hotmail.com

United Arab Emirates

Central Motors & Equipment,
P.O. Box 26255, Dubai
Dubai: 00971 (0) 4 3090920/3090930
Abu Dhabi: 00971 (0) 2 4017745
Sharjah: 00971 (0) 6 5932777
Al Ain: 00971 (0) 3 7157419
E-Mail: Mallappa.Madari@centralmotors.ae

Yemen

Abu Alrejal Trading Corporation
P.O. Box : 17024 , Zubeiry St.

Sana'a, Yemen
 Tel.: +967-1-20 20 10
 Fax: +967-1-47 19 17
 E-mail: tech-tools@abualrejal.com/yahya@abualrejal.com

Ethiopia

Forever plc
 Kebele 2,754, BP 4806,
 Addis Ababa
 Phone: +251 111 560 600
 Email: foreverplc@ethionet.et

Ghana

Robert Bosch Ghana Limited
 21 Kofi Annan Road Airport Residential Area Accra
 Tel. +233 (0)3027 94616

Kenya

Robert Bosch East Africa Ltd
 Mpaka Road P.O. Box 856
 00606 Nairobi

Nigeria

Robert Bosch Nigeria Ltd.
 52-54 Isaac John Street P.O. Box
 GRA Ikeja – Lagos

Tanzania

Diesel & Autoelectric Service Ltd.
 117 Nyerere Rd., P.O. Box 70839
 Vingunguti 12109, Dar Es Salaam
 Phone: +255 222 861 793/794

Australia, New Zealand and Pacific Islands

Robert Bosch Australia Pty. Ltd.
 Power Tools
 Locked Bag 66
 Clayton South VIC 3169
 Customer Contact Center
 Inside Australia:
 Phone: (01300) 307044
 Fax: (01300) 307045
 Inside New Zealand:
 Phone: (0800) 543353
 Fax: (0800) 428570
 Outside AU and NZ:
 Phone: +61 3 95415555
 www.bosch-pt.com.au
 www.bosch-pt.co.nz

Republic of South Africa Customer service

Hotline: (011) 6519600

Gauteng – BSC Service Centre

35 Roper Street, New Centre
 Johannesburg
 Tel.: (011) 4939375
 Fax: (011) 4930126
 E-Mail: bsctools@icon.co.za

KZN – BSC Service Centre

Unit E, Almar Centre
 143 Crompton Street

Pinetown
 Tel.: (031) 7012120
 Fax: (031) 7012446
 E-Mail: bsc.dur@za.bosch.com

Western Cape – BSC Service Centre

Democracy Way, Prosperity Park
 Milnerton
 Tel.: (021) 5512577
 Fax: (021) 5513223
 E-Mail: bsc@zsd.co.za

Bosch Headquarters

Midrand, Gauteng
 Tel.: (011) 6519600
 Fax: (011) 6519880
 E-Mail: rbsa-hq.pts@za.bosch.com

Armenia, Azerbaijan, Georgia

Robert Bosch Ltd.
 David Agmashenebeli ave. 61
 0102 Tbilisi, Georgia
 Tel. +995322510073
 www.bosch.com

Kyrgyzstan, Mongolia, Tajikistan, Turkmenistan, Uzbekistan

TOO "Robert Bosch" Power Tools, After Sales Service
 Muratbaev Ave., 180
 050012, Almaty, Kazakhstan
 Service Email: service.pt.ka@bosch.com
 Official Website: www.bosch.com, www.bosch-pt.com

Transport

The contained lithium-ion batteries are subject to the Dangerous Goods Legislation requirements. The batteries are suitable for road-transport by the user without further restrictions.

When shipping by third parties (e.g.: by air transport or forwarding agency), special requirements on packaging and labelling must be observed. For preparation of the item being shipped, consulting an expert for hazardous material is required.

Dispatch battery packs only when the housing is undamaged. Tape or mask off open contacts and pack up the battery in such a manner that it cannot move around in the packaging. Please also observe the possibility of more detailed national regulations.

Disposal



Power tools, rechargeable batteries, accessories and packaging should be sorted for environmental-friendly recycling.



Do not dispose of power tools and batteries/rechargeable batteries into household waste!

Battery packs/batteries:

Li-ion:

Please observe the notes in the section on transport (see "Transport", page 10).

中文

安全规章

电动工具通用安全警告

警告！ 阅读所有警告和所有说明！不遵照以下警告和说明会导致电击、着火和 / 或严重伤害。

保存所有警告和说明书以备查阅。

在所有下列的警告中术语“电动工具”指市电驱动（有线）电动工具或电池驱动（无线）电动工具。

工作场地的安全

- ▶ 保持工作场地清洁和明亮。混乱和黑暗的场地会引发事故。
- ▶ 不要在易爆环境，如有易燃液体、气体或粉尘的环境下操作电动工具。电动工具产生的火花会点燃粉尘或气体。
- ▶ 让儿童和旁观者离开后操作电动工具。注意力不集中会使操作者失去对工具的控制。

电气安全

- ▶ 电动工具插头必须与插座相配。绝不能以任何方式改装插头。需接地的电动工具不能使用任何转换插头。未经改装的插头和相配的插座将减少电击危险。
- ▶ 避免人体接触接地表面，如管道、散热片和冰箱。如果你身体接地会增加电击危险。
- ▶ 不得将电动工具暴露在雨中或潮湿环境中。水进入电动工具将增加电击危险。
- ▶ 不得滥用电线。绝不能用电线搬运、拉动电动工具或拔出其插头。使电线远离热源、油、锐边或运动部件。受损或缠绕的软线会增加电击危险。
- ▶ 当在户外使用电动工具时，使用适合户外的外接软线。适合户外使用的软线将减少电击危险。
- ▶ 如果在潮湿环境下操作电动工具是不可避免的，应使用剩余电流动作保护器（RCD）。使用 RCD 可减少小电击危险。

人身安全

- ▶ 保持警觉，当操作电动工具时关注所从事的操作并保持清醒。当你感到疲倦，或在有药物、酒精或治疗反应时，不要操作电动工具。在操作电动工具时瞬间的疏忽会导致严重人身伤害。
- ▶ 使用个人防护装置。始终佩戴护目镜。安全装置，诸如适当条件下使用防尘面具、防滑安全鞋、安全帽、听力防护等装置能减少人身伤害。
- ▶ 防止意外起动。确保开关在连接电源和 / 或电池盒、拿起或搬运工具时处于关断位置。手指放在已接通电源的开关上或开关处于接通时插入插头可能会导致危险。
- ▶ 在电动工具接通之前，拿掉所有调节钥匙或扳手。遗留在电动工具旋转零件上的扳手或钥匙会导致人身伤害。

- ▶ 手不要伸展得太长。时刻注意立足点和身体平衡。这样在意外情况下能很好地控制电动工具。
- ▶ 着装适当。不要穿宽松衣服或佩戴饰品。让衣服、手套和头发远离运动部件。宽松衣服、配饰或长发可能会卷入运动部件中。
- ▶ 如果提供了与排屑、集尘设备连接用的装置，要确保他们连接完好且使用得当。使用这些装置可减少尘屑引起的危险。
- ▶ 即使由于经常使用电动工具而对此非常熟悉，也不要就认为可以高枕无忧而忽略工具的安全规定。粗心大意的行为可能在瞬间就造成严重的伤害。

电动工具使用和注意事项 电动工具使用和注意事项

- ▶ 不要滥用电动工具，根据用途使用适当的电动工具。选用适当设计的电动工具会使你工作更有效、更安全。
- ▶ 如果开关不能接通或关断工具电源，则不能使用该电动工具。如果开关不能接通或关断工具电源，则不能使用该电动工具。
- ▶ 在进行任何调节、更换附件或贮存电动工具之前，必须从电源上拔掉插头和 / 或使电池盒与工具脱开。这种防护性措施将减少工具意外起动的危险。
- ▶ 将闲置不用的电动工具贮存在儿童所及范围之外，并且不要让不熟悉电动工具或对这些说明不了解的人操作电动工具。电动工具在未经培训的用户手中是危险的。
- ▶ 保养电动工具。检查运动件是否调整到位或卡住，检查零件破损情况和影响电动工具运行的其他状况。如有损坏，电动工具应在使用前修理好。许多事故由维护不良的电动工具引发。
- ▶ 保持切削刀具锋利和清洁。保养良好的有锋利切削刃的刀具不易卡住而且容易控制。
- ▶ 按照使用说明书，考虑作业条件和进行的作业来使用电动工具、附件和工具的刀头等。将电动工具用于那些与其用途不符的操作可能会导致危险。
- ▶ 保持手柄和握持表面干燥、清洁、无油污。在突发情况下，滑溜的手柄和握持表面无法确保安全地握持和控制工具。

电池式工具使用和注意事项

- ▶ 只用制造商规定的充电器充电。将适用于某种电池盒的充电器用到其他电池盒时会发生着火危险。
- ▶ 只有在配有专用电池盒的情况下才使用电动工具。使用其他电池盒会发生损坏和着火危险。
- ▶ 当电池盒不用时，将它远离其他金属物体，例如回形针、硬币、钥匙、钉子、螺钉或其他小金属物体，以防一端与另一端连接。电池端部短路会引起燃烧或火灾。
- ▶ 在滥用条件下，液体会从电池中溅出；避免接触。如果意外碰到了，用水冲洗。如果液体碰到了眼睛，还要寻求医疗帮助。从电池中溅出的液体会发生腐蚀或燃烧。

- ▶ **不要使用损坏的或更改过的电池组或工具。** 损坏或更改过的电池可能导致不可预料的情况发生，有着火、爆炸或受伤的风险。
- ▶ **不要将电池组或工具暴露于火焰或高温情况下。** 火焰或超过130°C的温度可能会引起爆炸。
- ▶ **遵守所有充电说明，给电池组或工具充电时不要超出说明中规定的温度范围。** 错误充电或温度超出规定的范围可能会损坏电池并提高着火的风险。

维修

- ▶ **将电动工具用于那些与其用途不符的操作可能会导致危险。** 这样将确保所维修的电动工具的安全性。
- ▶ **不要对损坏的电池组进行保养。** 只能由制造商或授权的服务商进行电池组的维护保养。

咬钳安全规章

- ▶ **本电动工具不适合固定式应用。** 例如不允许夹在虎钳上或固定在工作台上。
- ▶ **操作时请戴上手套。** 经过切剪的板材会出现锋利的毛刺，可能会导致您受伤。
- ▶ **如果充电电池损坏或者未按照规定使用，充电电池中会散发出有毒蒸汽。充电电池可能会燃烧或爆炸。** 工作场所必须保持空气流通，如果身体有任何不适必须马上就医。蒸汽会刺激呼吸道。
- ▶ **切勿打开充电电池。** 可能造成短路。
- ▶ **钉子、螺丝刀等尖锐物体或外力作用可能会损坏充电电池。** 有可能出现内部短路、蓄电池燃烧、发出烟雾、爆炸或过热。
- ▶ **只能将此充电电池用在制造商的产品中。** 这样才能确保充电电池不会过热。



保护充电电池免受高温（例如长期阳光照射）、火焰、脏污、水和湿气的侵害。 有爆炸和短路的危险。



产品和性能说明



请阅读所有安全规章和指示。 不遵照以下警告和说明可能导致电击、着火和/或严重伤害。

请注意本使用说明书开头部分的图示。

按照规定使用

本电动工具可以在材料不变形的情况下切割金属板，适用于直锯、开孔和锯切狭小的弯角。

插图上的机件

机件的编号和电动工具详解图上的编号一致。

- (1) 充电电池^{A)}
- (2) 充电电池解锁按钮^{B)}
- (3) 电源开关
- (4) 固定模具支架的螺丝
- (5) 手柄（绝缘握柄）

- (6) O形环
- (7) 模具支架
- (8) 压块
- (9) 模具
- (10) 滚花螺丝的橡胶圈
- (11) 固定模具的滚花螺丝

A) 图表或说明上提到的附件，并不包含在基本的供货范围中。本公司的附件清单中有完整的附件供应项目。

技术参数

电冲剪	GNA 18V-16	
物品代码		3 601 E29 5..
额定电压	V=	18
空载转速 n_0	min ⁻¹	1400
金属板的最大切剪厚度 ^{A)}	毫米	1.6
剪轨宽度	毫米	5
最小曲线半径	毫米	40
重量符合 EPTA-Procedure 01:2014	千克	2.2-3.0 ^{B)}
充电时建议的环境温度	摄氏度	0 ... +35
工作时允许的环境温度 ^{C)} 时和存放时功率受限	摄氏度	-20 ... +50
建议使用的充电电池		GBA 18V... ProCORE18V...
推荐的充电器		GAL 18... GAX 18... GAL 36...

A) 针对400牛顿/平方毫米以下的钢板

B) 视所使用的充电电池而定

C) 温度<0 摄氏度时功率受限

安装

为充电电池充电

- ▶ **请只使用在技术参数中列出的充电器。** 只有这些充电器才适用于本电动工具上的锂离子电池。

提示： 充电电池在交货时只完成部分充电。首度使用电动工具之前，必须先充足充电电池的电量以确保充电电池的功率。

可以随时为锂离子电池充电，不会缩短电池的使用寿命。如果充电过程突然中断，也不会损坏电池。本锂离子电池配备了电池电子保护装置 "Electronic Cell Protection (ECP)"，可以防止电池过度放电。电池的电量如果用尽了，保护开关会自动关闭电动工具；安装在机器上的工具刀头会停止转动。

- ▶ **电动工具被关闭之后，切勿继续按住起停开关。** 否则可能会损坏电池。

取出充电电池


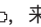
本充电电池(1)具备双重锁定功能，即使不小心触动了充电电池的解锁按钮(2)，充电电池也不会从机器

中掉落下来。只要充电电池安装在电动工具中，就会被弹簧固定在其位置上。

如需取下充电电池(1)，则请按压充电电池解锁按钮(2)，并将充电电池从电动工具中拔出。**在此过程中请勿过度用力。**

充电电池电量指示灯

充电电池电量指示灯的绿色LED灯显示充电电池的电量。基于安全原因，只能在电动工具静止时检查充电电池的电量。

按压充电电量指示灯按键或，来显示充电电量。也可以在充电电池取下时操作。

如果按压充电电量指示灯按键后没有LED灯亮起，则说明充电电池损坏，必须进行更换。

充电电池型号GBA 18V...



LED指示灯	电量
3个绿灯常亮	60-100 %
2个绿灯常亮	30-60 %
1个绿灯常亮	5-30 %
1个绿灯闪烁	0-5 %

充电电池型号ProCORE18V...



LED指示灯	电量
5个绿灯常亮	80-100 %
4个绿灯常亮	60-80 %
3个绿灯常亮	40-60 %
2个绿灯常亮	20-40 %
1个绿灯常亮	5-20 %
1个绿灯闪烁	0-5 %

运行

投入使用

安装充电电池

将充好电的充电电池(1)推入电动工具脚座中，直至充电电池牢牢锁定。

电源开关

接通电动工具时，需要向前推动电源开关(3)，使开关上出现1符号。

关闭电动工具时，需要向后推动电源开关(3)，使开关上出现0符号。

更换切割方向

您可以将模具支架(7)转入3个夹角是90°的固定位置，以便更换切割方向。但是机器无法向后（朝着机壳的方向）冲剪。

尽可能松开螺栓(4)，直至可以转动模具支架，以便转动模具支架(7)。将其向右或向左转动，以便与电动工具纵轴呈90度。

请注意螺栓(4)需卡入模具支架(7)孔中。拧紧螺栓。

工作提示

- ▶ **在电动工具上进行任何维护的工作（例如维修、更换工具等等），以及搬运、保存电动工具之前都必须从机器中取出蓄电池。**无意间操作开关可能会造成伤害。
- ▶ **本电动工具不适合固定式应用。**例如不允许夹在虎钳上或固定在工作台上。
- ▶ **操作时请戴上手套。**经过切割的板材会出现锋利的毛刺，可能会导致您受伤。
- ▶ **请小心处理切屑。**切屑的尖端非常锋利，容易被割伤。

开动电动工具后再把工具放在工件上加工。电动工具必须和金属板表面垂直。握好工具，别让工具倾斜。

冲头向后移动期间完成切割。所以操作电动工具时必须施力均匀，并朝着切割方向轻轻推动。推动电动工具时如果用力过猛，不但会明显降低电动工具的使用寿命，而且还可能损坏电动工具。

如果在切割时轻微抬起电动工具，则电动工具可以更安静地工作。切剪时如果冲头被夹住了，先关闭电动工具，在冲头上涂抹油脂并解除金属片上的张力。千万不可以强行拔出冲头，这样会损坏冲头和模具。

金属板的最大切剪厚度

金属板的最大切剪厚度 d_{max} 取决于待加工材料的强度。

本电动工具能够切剪下列厚度的金属板：

物料	最大强度 (牛顿/平方毫米)	d_{max} (毫米)
钢	400	1.6
	600	1.0
	800	0.7
铝	200	2.0

润滑/冷却冲头

为延长冲头(8)的使用寿命，您需要使用带冷却功能的润滑剂（例如切割油）。

将润滑剂沿着计划好的切线涂覆在金属板表面。

沿着切剪线或靠着模板切剪

如果沿着直尺移动电动工具，则直锯将变得更容易。

沿着模板推进电动工具可以切剪轮廓。

内部开孔时，需要预钻出直径为**21毫米**的孔。

温感式过载保护装置

按照规定使用时不会造成电动工具过载。过大负荷或超出允许的充电电池温度范围会导致冲程数降低或造成电动工具关闭。冲程数降低时，电动工具在达到了允许的充电电池温度后才能再次以满功率运

行。如果自动关闭，请关闭电动工具，让充电电池冷却，然后重新开动电动工具。

如何正确地使用充电电池

保护充电电池，避免湿气和水分渗入。

充电电池必须储存在-20 °C至50 °C的环境中。夏天不得将充电电池搁置在汽车中。

不定时地使用柔软、清洁而且干燥的毛刷清洁充电电池的通气孔。

充电后如果充电电池的使用时间明显缩短，代表充电电池已经损坏，必须更换新的充电电池。

请注意有关作废处理的规定。

维修和服务

维护和清洁

▶ 在电动工具上进行任何维护的工作（例如维修，更换工具等等），以及搬运、保存电动工具之前都必须从机器中取出蓄电池。无意间操作开关可能会造成伤害。

▶ 电动工具和通气孔必须随时保持清洁，以确保工作效率和工作安全。

每运行三个小时需清洁和润滑冲头(8)和模具(9)。及时更换已经磨损的冲头和模具。锋利的工具才能提高切削效果，并且可以保护电动工具。

不允许修磨冲头(8)和模具(9)。

更换模具

将滚花螺栓(11)从模具支架(7)中拧出。取出模具(9)。

必要时清洁模具支架(7)。将已充分润滑的新模具(9)装入模具支架中。磨平面必须对齐。

请重新旋上滚花螺栓(11)，垫好橡胶垫圈(10)。借助内六角扳手顶着橡胶垫圈的阻力将螺栓拧紧(3-4 牛米)。

更换冲头

松开模具支架螺栓(4)，将模具支架(7)完全从壳体内拉出。

将印模(8)侧移出固定座，然后将其向外拉。

将已良好上油的新印模(8)装入固定座的凹槽内，然后将其正确对中。

将模具支架(7)小心地从印模上方推回壳体。根据所需的切割方向将模具支架转入一个或三个位置中。

牢牢拧紧模具支架螺栓(4)。

客户服务和应用咨询

本公司顾客服务处负责回答有关本公司产品的修理、维护和备件的问题。备件的展开图纸和信息也可查看：www.bosch-pt.com

博世应用咨询团队乐于就我们的产品及其附件问题提供帮助。

询问和订购备件时，务必提供机器铭牌上标示的10位数物品代码。

香港和澳门特别行政区

罗伯特博世有限公司
香港北角英皇道625号，21楼

客户服务热线: +852 2101 0235

传真: +852 2590 9762

电子邮件: info@hk.bosch.com

www.bosch-pt.com.hk

中国大陆

博世电动工具（中国）有限公司 中国 浙江省 杭州市 滨江区 滨康路567号

102/1F 服务中心

邮政编码: 310052

电话: (0571)8887 5566 / 5588

传真: (0571)8887 6688 x 5566# / 5588#

电邮: bsc.hz@cn.bosch.com

www.bosch-pt.com.cn

制造商地址:

Robert Bosch Power Tools GmbH

罗伯特·博世电动工具有限公司

70538 Stuttgart / GERMANY

70538 斯图加特 / 德国

搬运

随着机器一起供货的锂离子充电电池必须符合危险物品法规。使用者无须另外使用保护包装便可以运送该充电电池。

但是如果将它交由第三者运送（例如：寄空运或委托运输公司）则要使用特殊的包装和标示。此时必须向危险物品专家请教有关寄送危险物品的相关事宜。

确定充电电池的外壳未受损后，才可以寄送充电电池。粘好未加盖的触点并包装好充电电池，不可以让充电电池在包装中晃动。必要时也得注意各国有关的法规。

处理废弃物



必须以符合环保的方式，回收再利用损坏的电动工具、充电电池、附件和废弃的包装材料。



不可以把电动工具和充电电池/蓄电池丢入一般的家庭垃圾中！

充电电池/电池:

锂离子:

请注意“搬运”段落中的指示（参见“搬运”，页 14）确认设置。

繁體中文

安全注意事項

電動工具一般安全注意事項

警告

請詳讀工作臺及電動工具的所有安全警告與使用說明。若不

遵照以下列出的指示，將可能導致電擊、著火和 / 或人員重傷。

保存所有警告和說明書以備查閱。

在所有警告中，「電動工具」此一名詞泛指：以市電驅動的（有線）電動工具或是以電池驅動的（無線）電動工具。

工作場地的安全

- ▶ **保持工作場地清潔和明亮。** 混亂和黑暗的場地會引發事故。
- ▶ **不要在易爆環境，** 如有易燃液體、氣體或粉塵的環境下操作電動工具。電動工具產生的火花會點燃粉塵或氣體。
- ▶ **讓兒童和旁觀者離開後操作電動工具。** 注意力不集中會使您失去對工具的控制。

電氣安全

- ▶ **電動工具插頭必須與插座相配。** 絕不能以任何方式改裝插頭。需接地的電動工具不能使用任何轉換插頭。未經改裝的插頭和相配的插座將減少電擊危險。
- ▶ **避免人體接觸接地表面，** 如管道、散熱片和冰箱。如果您身體接地會增加電擊危險。
- ▶ **不得將電動工具暴露在雨中或潮濕環境中。** 水進入電動工具將增加電擊危險。
- ▶ **不得濫用電線。** 絕不能用電線搬運、拉動電動工具或拔出其插頭。使電線遠離熱源、油、銳利邊緣或移動零件。受損或纏繞的軟線會增加電擊危險。
- ▶ **當在戶外使用電動工具時，** 使用適合戶外使用的延長線。適合戶外使用的軟線，將減少電擊危險。
- ▶ **如果在潮濕環境下操作電動工具是不可避免的，** 應使用剩餘電流動作保護器（RCD）。使用RCD可降低電擊危險。

人身安全

- ▶ **保持警覺，** 當操作電動工具時關注所從事的操作並保持清醒。當您感到疲倦，或在有藥物、酒精或治療反應時，不要操作電動工具。在操作電動工具時瞬間的疏忽會導致嚴重人身傷害。
- ▶ **使用個人防護裝置。** 始終佩戴防護目鏡。安全裝置，諸如適當條件下使用防塵面具、防滑安全鞋、安全帽、聽力防護等裝置能減少人身傷害。
- ▶ **防止意外起動。** 確保開關在連接電源和 / 或電池盒、拿起或搬運工具時處於關閉位置。手指放在已接通電源的開關上或開關處於接通時插入插頭可能會導致危險。
- ▶ **在電動工具接通之前，** 拿掉所有調節鑰匙或扳手。遺留在電動工具旋轉零件上的扳手或鑰匙會導致人身傷害。
- ▶ **手不要伸展得太長。** 時刻注意立足點和身體平衡。這樣在意外情況下能很好地控制電動工具。
- ▶ **著裝適當。** 不要穿寬鬆衣服或佩戴飾品。讓您的衣物及頭髮遠離運動部件。寬鬆衣服、佩飾或長髮可能會捲入運動部件中。

- ▶ **如果提供了與排屑、集塵設備連接用的裝置，** 要確保他們連接完好且使用得當。使用這些裝置可減少塵屑引起的危險。
- ▶ **切勿因經常使用工具所累積的熟練感而過度自信，** 輕忽工具的安全守則。任何一個魯莽的舉動都可能瞬間造成人員重傷。

電動工具使用和注意事項

- ▶ **不要濫用電動工具，** 根據用途使用適當的電動工具。選用適當設計的電動工具會使您工作更有效、更安全。
- ▶ **如果開關不能開啟或關閉工具電源，** 則不能使用該電動工具。不能用開關來控制的電動工具是危險的且必須進行修理。
- ▶ **在進行任何調整、更換配件或貯存電動工具之前，** 必須從電源上拔掉插頭並 / 或取出電池盒。這種防護性措施將減少工具意外起動的危險。
- ▶ **將閒置不用的電動工具貯存在兒童所及範圍之外，** 並且不要讓不熟悉電動工具或對這些說明不瞭解的人操作電動工具。電動工具在未經培訓的用戶手中是危險的。
- ▶ **保養電動工具與配備。** 檢查運動件是否調整到位或卡住，檢查零件破損情況和影響電動工具運行的其他狀況。如有損壞，電動工具應在使用前修理好。許多事故由維護不良的電動工具引發。
- ▶ **保持切削刀具鋒利和清潔。** 保養良好的有鋒利切削刃的刀具不易卡住而且容易控制。
- ▶ **按照使用說明書，** 考慮作業條件和進行的作業來使用電動工具、配件和工具的刀頭等。將電動工具用於那些與其用途不符的操作可能會導致危險。
- ▶ **把手及握持區應保持乾燥、潔淨，** 且不得沾染任何油液或油脂。易滑脫的把手及握持區將無法讓您在發生意外狀況時安全地抓緊並控制工具。

電池式工具使用和注意事項

- ▶ **只用製造商規定的充電器充電。** 將適用於某種電池盒的充電器用到其他電池盒時會發生著火危險。
- ▶ **只有在配有專用電池盒的情況下才使用電動工具。** 使用其他電池盒會發生損壞和著火危險。
- ▶ **當電池盒不用時，** 將它遠離其他金屬物體，例如回形針、硬幣、鑰匙、釘子、螺絲或其他小金屬物體，以防一端與另一端連接。電池端部短路會引起燃燒或火災。
- ▶ **在濫用條件下，** 液體會從電池中濺出；避免接觸。如果意外碰到了，用水沖洗。如果液體碰到了眼睛，還要尋求醫療幫助。從電池中濺出的液體會發生腐蝕或燃燒。
- ▶ **請勿使用已受損或經改裝的電池盒。** 已受損或經改裝的電池組可能出現無法預期的反應，進而導致著火、爆炸或造成人員受傷。
- ▶ **勿讓電池盒或工具靠近火源或暴露在異常溫度環境中。** 若是靠近火源或暴露在超過130 °C的環境中可能造成爆炸。
- ▶ **請完全遵照所有的充電說明，** 電池盒或工具的溫度若是超出指示的規定範圍，請勿進行充電。不

當充電或是未在規定的溫度範圍內進行充電，皆可能造成電池損壞並面臨更高的著火風險。

檢修

- ▶ 將您的電動工具送交專業維修人員，必須使用同樣的備件進行更換。這樣將確保所維修的電動工具的安全性。
- ▶ 請勿自行檢修受損的電池盒。電池組應交由製造商或是獲得授權的服務供應商來進行檢修。

電衝剪的安全注意事項

- ▶ 本電動工具並不適用於以不移動的方式進行加工。不得將它夾入老虎鉗或固定在工作桌上。
- ▶ 工作期間請戴上防護手套。剪割過的鐵片上面會有可能割傷您的鋒利毛刺。
- ▶ 如果充電電池損壞了，或者未按照規定使用充電電池，充電電池中會散發出有毒蒸氣。充電電池可能起火或爆炸。工作場所必須保持空氣流通，如果身體有任何不適必須馬上就醫。充電電池散發的蒸氣會刺激呼吸道。
- ▶ 切勿拆開充電電池。可能造成短路。
- ▶ 尖銳物品（例如釘子或螺絲起子）或是外力皆有可能造成充電電池損壞。進而導致內部短路而發生電池起火、冒煙、爆炸或過熱等事故。
- ▶ 僅可使用產品的原廠充電電池。如此才可依照產品提供過載保護。



保護充電電池免受高溫（例如長期日照）、火焰、污垢、水液和濕氣的侵害。有爆炸及短路之虞。

產品和功率描述



請詳讀所有安全注意事項和指示。如未遵守安全注意事項與指示，可能導致火災、人員遭受電擊及 / 或重傷。
請留意操作說明書中最前面的圖示。

依規定使用機器

本電動工具適合剪切金屬板，剪切後工件不會變形。本機器可以剪切直線，挖孔以及進行弧形剪切。

插圖上的機件

機件的編號和電動工具詳解圖上的編號一致。

- (1) 充電電池^{A)}
- (2) 充電電池解鎖按鈕^{A)}
- (3) 起停開關
- (4) 模具支架的螺栓
- (5) 把手（絕緣握柄）
- (6) O 形環
- (7) 模具支架
- (8) 衝頭
- (9) 模具

(10) 滾花螺栓的橡膠圈

(11) 模具的滾花螺栓

- A) 圖表或說明上提到的配件，並不包含在基本的供貨範圍中。本公司的配件清單中有完整的配件供應項目。

技術性數據

電衝剪	GNA 18V-16	
產品機號	3 601 E29 5..	
額定電壓	V=	18
無負載轉速 n ₀	min ⁻¹	1400
可剪切的 ^{A)} 最大金屬板厚度	mm	1.6
剪痕寬度	mm	5
最小曲線半徑	mm	40
重量符合 EPTA-Procedure 01:2014	kg	2.2-3.0 ^{B)}
建議的容許環境溫度	°C	0 ... +35
操作狀態下的容許環境溫度 ^{C)} 以及存放狀態下	°C	-20 ... +50
建議使用的充電電池	GBA 18V... ProCORE18V...	
建議使用的充電器	GAL 18... GAX 18... GAL 36...	

A) 針對 400 N/mm² 的鋼板

B) 視所使用的充電蓄電池而定

C) 溫度 <0 °C 時，性能受限

安裝

為充電電池進行充電

- ▶ 只能選用技術性數據裡所列出的充電器。僅有這些充電器適用於電動工具所使用的鋰離子充電電池。

提示：出貨時充電電池已部分充電。首度使用電動工具之前，請先用充電器將充電電池充飽電以確保充電電池蓄滿電力。

鋰離子充電電池可隨時充電，不會縮短電池的使用壽命。如果突然中斷充電，電池也不會損壞。

鋰離子充電電池配備了電池保護裝置「Electronic Cell Protection (ECP)」，可以防止充電電池過度放電。充電電池的電量如果用盡了，保護開關會自動關閉電動工具：嵌件工具會停止轉動。

- ▶ 電動工具自動關機後，請勿再按壓電源開關。否則充電電池可能會損壞。



取出充電電池

本充電電池 (1) 具備了雙重鎖定功能，即使不小心按壓了充電電池解鎖按鈕 (2)，充電電池也不會從機器中掉落出來。固定彈簧會把充電電池夾緊在機器中。

若要取出充電電池 (1)，請按解鎖按鈕 (2)，然後將充電電池抽出電動工具。不可以強行拉出充電電池。

充電電池的電量指示器

充電電池的電量指示器透過綠色 LED 燈告知充電電池的目前電量。基於安全顧慮，務必在電動工具完全靜止時才能檢查充電電池的電量。

按一下電量指示器按鈕  或 ，即可顯示目前的電量。即使已取出充電電池，此項功能仍可正常運作。

按壓電量顯示按鈕後，LED 燈若未亮起，即表示充電電池故障，必須予以更換。

充電電池型號 GBA 18V...



LED 燈	容量
3 顆綠燈持續亮起	60-100 %
2 顆綠燈持續亮起	30-60 %
1 顆綠燈持續亮起	5-30 %
1 顆綠燈呈閃爍狀態	0-5 %

充電電池型號 ProCORE18V...



LED 燈	容量
5 顆綠燈持續亮起	80-100 %
4 顆綠燈持續亮起	60-80 %
3 顆綠燈持續亮起	40-60 %
2 顆綠燈持續亮起	20-40 %
1 顆綠燈持續亮起	5-20 %
1 顆綠燈呈閃爍狀態	0-5 %

操作

操作機器

安裝充電電池

請將充好電的充電電池 (1) 推入電動工具底座，讓充電電池確實卡上。

啟動 / 關閉

若要啟動電動工具，請將起停開關 (3) 往前推，此時開關上會出現 I 符號。

若要關閉電動工具，請將起停開關 (3) 往後推，此時開關上會出現 0 符號。

變換剪切方向

變換剪切方向時，可將模具支架 (7) 轉至三個相隔 90° 的位置上。切割方向無法朝後（朝向機殼）。

若要旋轉模具支架 (7)，請將螺栓 (4) 鬆開至您能轉動模具支架的程度。以電動工具縱軸為基準，向右或向左旋轉 90°。

請注意：螺栓 (4) 應要嵌進模具支架 (7) 上的孔位裡。旋緊螺栓。

作業注意事項

▶ 在電動工具上進行任何維護的工作（例如維修，更換工具等）以及搬運和儲存電動工具之前，都必須電動工具中取出充電電池。若是不小心觸動起停開關，可能造成人員受傷。

▶ 本電動工具並不適用於以不移動的方式進行加工。不得將它夾入老虎鉗或固定在工作桌上。

▶ 工作期間請戴上防護手套。剪割過的鐵片上面會有可能割傷您的鋒利毛刺。

▶ 處理切屑時，請務必小心。切屑的尖端非常鋒利，容易被割傷。

先啟動電動工具後再把它放置在工件上切割。握持本電動工具時，它始終應與金屬板表面保持垂直，請勿傾斜。

本機器是靠著衝頭向下移動來進行切割的動作。所以操作機器時必須施力均勻，並朝著切割方向輕輕推動工具。操作機器時如果推力過猛會縮短鋸片的使用壽命，並且造成電動工具損壞。

若在剪切時將電動工具抬起來一點點，發出的加工噪音就會變小。剪切時如果衝頭被夾住了，請先關閉電動工具，然後在衝頭上塗抹潤滑油並且解開金屬板。千萬不可以強行拔出衝頭，這樣會損壞衝頭和模具。

可剪切的最大金屬板厚度

可剪切的最大金屬板厚度 d_{max} 需視欲加工之材料的強度而定。

本電動工具能夠剪切下列各種厚度的金屬板：

材料	最大強度 (N/mm ²)	d_{max} (mm)
鋼材	400	1.6
	600	1.0
	800	0.7
鋁材	200	2.0

潤滑 / 冷卻衝頭

若想延長衝頭 (8) 的使用壽命，您應在其上塗抹冷卻效果極佳的潤滑劑（比如切削油）。

請沿著金屬板上面預計的裁切線抹上潤滑劑。

沿著剪切線或靠著模板剪切

直線剪切比較容易，只要沿著剪切線推進電動工具便可。

沿著模板推進電動工具可以剪切特殊輪廓。

在材料中間進行挖孔時，必須先預鑽出一個直徑 21 mm 的孔洞。

溫控的過載保護裝置

只要按照規定使用，電動工具就不可能過載。萬一負載過重或充電電池的溫度已超出允許範圍，電動工具會減少衝擊次數或是直接停機。電動工具將持

續以調降衝擊次數的方式運轉，待電池溫度降回允許範圍後才會恢復全速運作。發生自動停機的情況時，請將電動工具關機，待充電電池降溫後再重新開機。

如何正確地使用充電電池

妥善保護充電電池，避免濕氣和水分滲入。
 充電電池必須儲存在 -20 °C 至 50 °C 的環境中。
 夏天不可以把充電電池擱置在汽車中。
 偶爾用柔軟、乾淨且乾燥的毛刷清潔充電電池的通氣孔。
 充電後如果充電電池的使用時間明顯縮短，代表充電電池已經損壞，必須更換新的充電電池。
 請您遵照廢棄物處理相關指示。

維修和服務

維修和清潔

- ▶ 在電動工具上進行任何維護的工作（例如維修、更換工具等）以及搬運和儲存電動工具之前，都必須從電動工具中取出充電電池。若是不小心觸動起停開關，可能造成人員受傷。
- ▶ 電動工具和通風口都必須保持清潔，這樣才能夠提高工作品質和安全性。

工作時數每達 3 小時後，請清潔衝頭 (8) 和模具 (9) 然後再為其上油。

請及時更換已經磨損的衝頭和模具。使用鋒利的工具才能確保良好的剪切效果，並且可以保護電動工具。

衝頭 (8) 和模具 (9) 不得重新打磨。

更換模具

將滾花螺栓 (11) 從模具支架 (7) 上旋出。取下模具 (9)。

必要時請清潔模具支架 (7)。請將充份上油的全新模具 (9) 裝入模具支架。此時請注意平端應對準的位置。

滾花螺栓 (11) 套上橡膠圈 (10) 後重新旋上。用一把內六角扳手，克服橡膠圈所產生的阻力後，將螺栓牢牢旋緊 (3-4 Nm)。

更換衝頭

鬆開模具支架的螺栓 (4) 並將模具支架 (7) 完全拔出機殼。

將衝頭 (8) 從側面推出固定座，然後再將它往下拔出。

將充份上油的全新衝頭 (8) 裝入固定座的凹槽內並將它調整置中。

小心地推入模具支架 (7)，使其越過衝頭後，裝回至機殼上。根據您想進行的剪切方向，將模具支架轉至三種設定位置中的任一個。將模具支架的螺栓 (4) 確實旋緊。

顧客服務處和顧客諮詢中心

本公司顧客服務處負責回答有關本公司產品的維修、維護和備用零件的問題。以下的網頁中有分解圖和備用零件相關資料：www.bosch-pt.com

如果對本公司產品及其配件有任何疑問，博世應用諮詢小組很樂意為您提供協助。

當您需要諮詢或訂購備用零件時，請務必提供本產品型號銘牌上 10 位數的產品機號。

中國香港和澳門特別行政區

羅伯特·博世有限公司
 香港北角英皇道625號21樓
 客戶服務熱線: +852 2101 0235
 傳真: +852 2590 9762
 電子郵件: info@hk.bosch.com
www.bosch-pt.com.hk

台灣

台灣羅伯特博世股份有限公司
 建國北路一段90號6樓
 台北市10491
 電話: (02) 7734 2588
 傳真: (02) 2516 1176
www.bosch-pt.com.tw

製造商地址:

Robert Bosch Power Tools GmbH
 羅伯特·博世電動工具有限公司
 70538 Stuttgart / GERMANY
 70538 斯圖加特/德國

搬運

隨貨附上的鋰離子充電電池受危險物品法的規範。使用者無須另外使用保護包裝便可運送該充電電池。

但是如果將它交由第三者運送（例如：寄空運或委託運輸公司），則應遵照包裝與標示的相關要求。此時必須向危險物品專家請教有關寄送危險物品的相關事宜。

確定充電電池的外殼未受損後，才可以寄送充電電池。用膠帶貼住裸露的接點並妥善包裝充電電池，不可以讓充電電池在包裝材料中晃動。同時也應留意各國相關法規。

廢棄物處理



必須以符合環保的方式，將損壞的電動工具、充電電池、配件和包裝材料進行回收再利用。



不可以把電動工具和充電電池 / 拋棄式電池丟入一般家庭垃圾中！

充電電池 / 拋棄式電池:

鋰離子:

請注意「搬運」段落中的指示（參見「搬運」，頁 18）。

한국어

안전 수칙

전동공구 일반 안전 수칙

경고 본 전동공구와 함께 제공된 모든 안전경고, 지시사항, 그림 및 사양을 숙지하십시오. 다음의 지시 사항을 준수하지 않으면 감전, 화재, 또는 심각한 부상을 초래할 수 있습니다.

앞으로 참고할 수 있도록 이 안전수칙과 사용 설명서를 잘 보관하십시오.

다음에서 사용되는 "전동공구"라는 개념은 전원에 연결하여 사용하는 (전선이 있는) 전동 기기나 배터리를 사용하는 (전선이 없는) 전동 기기를 의미합니다.

작업장 안전

- ▶ 작업장을 항상 깨끗이 하고 조명을 밝게 하십시오. 작업장 환경이 어수선하거나 어두우면 사고를 초래할 수 있습니다.
- ▶ 가연성 유체, 가스 또는 분진이 있어 폭발 위험이 있는 환경에서 전동공구를 사용하지 마십시오. 전동공구는 분진이나 증기에 접화하는 스파크를 일으킬 수 있습니다.
- ▶ 전동공구를 사용할 때 구경꾼이나 어린이 혹은 다른 사람이 작업장에 접근하지 못하게 하십시오. 다른 사람이 주의를 산만하게 하면 기기에 대한 통제력을 잃기 쉽습니다.

전기에 관한 안전

- ▶ 전동공구의 전원 플러그가 전원 콘센트에 잘 맞아야 합니다. 플러그를 절대 변경시켜서는 안 됩니다. (접지된) 전동공구를 사용할 때 어댑터 플러그를 사용하지 마십시오. 변형되지 않은 플러그와 잘 맞는 콘센트를 사용하면 감전의 위험을 줄일 수 있습니다.
- ▶ 파이프 콘, 라디에이터, 레인지, 냉장고와 같은 접지 표면에 몸이 닿지 않도록 하십시오. 몸에 닿을 경우 감전될 위험이 높습니다.
- ▶ 전동공구를 비에 맞지 않게 하고 습기 있는 곳에 두지 마십시오. 전동공구에 물이 들어가면 감전될 위험이 높습니다.
- ▶ 전원 코드를 잘못 사용하는 일이 없도록 하십시오. 전원 코드를 잡고 전동공구를 운반해서는 안 되며, 콘센트에서 전원 플러그를 뽑을 때 전원 코드를 잡아 당겨서는 절대로 안 됩니다. 전원 코드가 열과 오일에 접촉하는 것을 피하고, 날카로운 모서리나 기기의 가동 부위에 닿지 않도록 주의 하십시오. 손상되거나 영긴 전원 코드는 감전을 유발할 수 있습니다.
- ▶ 실외에서 전동공구로 작업할 때는 실외용으로 적당할 연장 전원 코드만을 사용하십시오. 실외용 연장 전원 코드를 사용하면 감전의 위험을 줄일 수 있습니다.

- ▶ 전동공구를 습기 찬 곳에서 사용해야 할 경우에는 누전 차단기를 사용하십시오. 누전 차단기를 사용하면 감전 위험을 줄일 수 있습니다.

사용자 안전

- ▶ 신중하게 작업하며, 전동공구를 사용할 때 경솔하게 행동하지 마십시오. 피로한 상태이거나 약물 복용 및 음주한 후에는 전동공구를 사용하지 마십시오. 전동공구를 사용할 때 잠이라도 주의가 산만해지면 중상을 입을 수 있습니다.
- ▶ 작업자 안전을 위한 장치를 사용하십시오. 항상 보안경을 착용하십시오. 전동공구의 종류와 사용에 따라 먼지 보호 마스크, 미끄러지지 않는 안전화, 안전모 또는 귀마개 등의 안전한 복장을 하면 상해의 위험을 줄일 수 있습니다.
- ▶ 실수로 기기가 작동되지 않도록 주의하십시오. 전동공구를 전원엔 연결하거나 배터리를 끼우기 전에, 혹은 기기를 들거나 운반하기 전에, 전원 스위치가 꺼져 있는지 다시 확인하십시오. 전동공구를 운반할 때 전원 스위치에 손가락을 대거나 전원 스위치가 켜진 상태에서 전원을 연결하면 사고 위험이 높습니다.
- ▶ 전동공구를 사용하기 전에 조절하는 톨이나 키 등을 빼 놓으십시오. 회전하는 부위에 있는 톨이나 키로 인해 상처를 입을 수 있습니다.
- ▶ 자신을 과신하지 마십시오. 불안정한 자세를 피하고 항상 평형을 이룬 상태로 작업하십시오. 안정된 자세와 평형한 상태로 작업해야만이 의외의 상황에서 도 전동공구를 안전하게 사용할 수 있습니다.
- ▶ 알맞은 작업복을 입으십시오. 헐렁한 복장을 하거나 장신구를 착용하지 마십시오. 머리카락이 가동하는 기기 부위에 가까이 닿지 않도록 주의 하십시오. 헐렁한 복장, 장신구 혹은 긴 머리는 가동 부위에 말려 사고를 초래할 수 있습니다.
- ▶ 분진 추출장치나 수거장치의 조립이 가능한 경우, 이 장치가 연결되어 있는지, 제대로 작동이 되는지 확인하십시오. 이러한 분진 추출장치를 사용하면 분진으로 인한 사고 위험을 줄일 수 있습니다.
- ▶ 톨을 자주 사용한다고 해서 안주하는 일이 없게 하고 공구의 안전 수칙을 무시하지 않도록 하십시오. 부주의하게 취급하여 순간적으로 심각한 부상을 입을 수 있습니다.

전동공구의 올바른 사용과 취급

- ▶ 기기를 과부하 상태에서 사용하지 마십시오. 작업할 때 이에 적당한 전동공구를 사용하십시오. 알맞은 전동공구를 사용하면 지정된 성능 한도 내에서 더 효율적으로 안전하게 작업할 수 있습니다.
- ▶ 전원 스위치가 고장 난 전동공구를 사용하지 마십시오. 전원 스위치가 작동되지 않는 전동공구는 위험하므로, 반드시 수리를 해야 합니다.
- ▶ 전동공구를 조정하거나 액세서리 부품 교환 혹은 공구를 보관할 때, 항상 전원 콘센트에서 플러그를 미리 빼어 놓거나 배터리를 분리하십시오. 이러한 조치는 실수로 전동공구가 작동하게 되는 것을 예방합니다.

- ▶ 사용하지 않는 전동공구는 어린이 손이 닿지 않는 곳에 보관하고, 전동공구 사용에 익숙지 않거나 이 사용 설명서를 읽지 않은 사람은 기기를 사용해서는 안됩니다. 경험이 없는 사람이 전동공구를 사용하면 위험합니다.
- ▶ 전동공구 및 액세서리를 조심스럽게 관리하십시오. 가동 부위가 하자 없이 정상적인 기능을 하는지, 걸리는 부위가 있는지, 혹은 전동공구의 기능에 중요한 부품이 손상되지 않았는지 확인하십시오. 손상된 기기의 부품은 전동공구를 다시 사용하기 전에 반드시 수리를 맡기십시오. 제대로 관리하지 않은 전동공구의 경우 많은 사고를 유발합니다.
- ▶ 절단 공구를 날카롭고 깨끗하게 관리하십시오. 날카로운 절단면이 있고 잘 관리된 절단공구는 걸리는 경우가 드물고 조절하기도 쉽습니다.
- ▶ 전동공구, 액세서리, 장착하는 공구 등을 사용할 때, 이 지시 사항과 특별히 기종 별로 나와있는 사용 방법을 준수하십시오. 이때 작업 조건과 실시하려는 작업 내용을 고려하십시오. 원래 사용 부위가 아닌 다른 작업에 전동공구를 사용할 경우 위험한 상황을 초래할 수 있습니다.
- ▶ 손잡이 및 잡는 면을 건조하게 유지하고, 오일 및 그리스가 묻어 있지 않도록 깨끗하게 하십시오. 손잡이 또는 잡는 면이 미끄러우면 예상치 못한 상황에서 안전한 취급 및 제어가 어려워집니다.

충전 전동공구의 올바른 사용과 취급

- ▶ 배터리를 충전할 때 제조 회사가 추천하는 충전 기판을 사용하여 재충전해야 합니다. 특정 제품의 배터리를 위하여 제조된 충전기에 적합하지 않은 다른 배터리를 충전할 경우 화재 위험이 있습니다.
- ▶ 각 전동공구용으로 나와있는 배터리만을 사용하십시오. 다른 종류의 배터리를 사용하면 상해를 입거나 화재를 초래할 수 있습니다.
- ▶ 배터리를 사용하지 않을 때는, 각 극을 자극 할 수 있는 페이퍼 클립, 동전, 열쇠, 못, 나사 등 유사한 금속성 물체와 멀리하여 보관하십시오. 배터리 극 사이에 쇼트가 일어나 화상을 입거나 화재를 야기할 수 있습니다.
- ▶ 배터리를 잘못 사용하면 누수가 생길 수 있습니다. 누수가 생긴 배터리에 닿지 않도록 하십시오. 피부에 접촉하게 되었을 경우 즉시 물로 씻으십시오. 유체가 눈에 닿았을 경우 바로 의사와 상담하십시오. 배터리에서 나오는 유체는 피부에 자극을 주거나 화상을 입힐 수 있습니다.
- ▶ 손상된 배터리 또는 공구를 사용하지 마십시오. 손상되었거나 개조된 배터리는 예기치 못한 특성으로 인해 화재, 폭발 또는 부상의 위험을 초래할 수 있습니다.
- ▶ 배터리 또는 공구가 화기 또는 지나치게 높은 온도에 노출되지 않도록 하십시오. 화기 또는 130 °C 이상의 온도에 노출되면 폭발할 위험이 있습니다.
- ▶ 충전 지침을 준수하고 지침에 제시된 범위를 벗어난 온도에서 충전하지 마십시오. 제시된 범위를

를 벗어난 부적절한 온도에서 충전할 경우 배터리가 손상되어 화재 발생의 위험이 증가됩니다.

서비스

- ▶ 전동공구 수리는 반드시 전문 인력에게 맡기고, 수리 정비 시 보쉬 순정 부품만을 사용하십시오. 그렇게 함으로써 기기의 안전성을 오래 유지할 수 있습니다.
- ▶ 손상된 배터리는 절대 수리하지 마십시오. 배터리 수리는 제조사 또는 공인 서비스센터에서만 진행할 수 있습니다.

니블러용 안전수칙

- ▶ 본 전동공구는 고정시켜 작업하는 용도로는 적합하지 않습니다. 예를 들어 바이스에 고정시키거나 작업 거치대에 고정시켜 사용할 수 없습니다.
- ▶ 작업 시 보호 장갑을 착용하십시오. 절단된 자재에서 날카로운 거스러미가 발생하여, 이로 인해 부상을 입을 수 있습니다.
- ▶ 배터리가 손상되었거나 잘못 사용될 경우 증기가 발생할 수 있습니다. 배터리에서 화재가 발생하거나 폭발할 수 있습니다. 작업장을 환기시키고, 필요한 경우 의사와 상담하십시오. 증기로 인해 호흡기가 자극될 수 있습니다.
- ▶ 배터리를 분해하지 마십시오. 단락이 발생할 위험이 있습니다.
- ▶ 못이나 스크류 드라이버 같은 뾰족한 물체 또는 외부에서 오는 충격 등으로 인해 축전지가 손상될 수 있습니다. 내부 단락이 발생하여 배터리가 타거나 연기가 발생하고, 폭발 또는 과열될 수 있습니다.
- ▶ 제조사의 배터리 제품만 사용하십시오. 그래야만 배터리 과부하의 위험을 방지할 수 있습니다.



배터리를 태양 광선 등 고열에 장시간 노출되지 않도록 하고 물과 오염물질, 물, 수분이 있는 곳에 두지 마십시오. 폭발 및 단락의 위험이 있습니다.

제품 및 성능 설명



모든 안전 수칙과 지침을 숙지하십시오. 다음의 안전 수칙과 지침을 준수하지 않으면 화재 위험이 있으며 감전 혹은 중상을 입을 수 있습니다.

사용 설명서 앞 부분에 제시된 그림을 확인하십시오.

규정에 따른 사용

본 전동공구는 자재 변형 없이 금속판을 절단하는 용도로 사용되며, 직선 및 급곡선 혹은 오래내기 작업을 하기에 적합합니다.

제품의 주요 명칭

제품의 주요 명칭에 표기되어 있는 번호는 기기 그림이 나와있는 면을 참고하십시오.

- (1) 배터리^{A)}

- (2) 배터리 해제 버튼^{A)}
- (3) 전원 스위치
- (4) 다이 홀더 나사
- (5) 손잡이(절연된 손잡이 부위)
- (6) O링
- (7) 다이 고정쇠
- (8) 스텝링
- (9) 다이
- (10) 널리드 스크류 고무 링
- (11) 다이용 널리드 스크류

A) 도면이나 설명서에 나와있는 액세서리는 표준 공급부품에 속하지 않습니다. 전체 액세서리는 저희 액세서리 프로그램을 참고하십시오.

제품 사양

니블러		GNA 18V-16	
제품 번호		3 601 E29 5..	
정격 전압	V=	18	
공회전 스트로크 수 n ₀	min ⁻¹	1400	
최대 절단 두께 ^{A)}	mm	1.6	
절단 폭	mm	5	
최소 반경	mm	40	
EPTA-Procedure 01:2014에 따른중량	kg	2.2-3.0 ^{B)}	
충전 시 권장되는 주변 온도	°C	0 ... +35	
작동 시 ^{C)} 및 보관 시 허용되는 주변 온도	°C	-20 ... +50	
권장 배터리		GBA 18V... ProCORE18V...	
권장하는 충전기		GAL 18... GAX 18... GAL 36...	

A) 강철판 400 N/mm²

B) 사용하는 배터리에 따라 상이

C) 온도 <0 °C일 때 출력 제한

조립

배터리 충전하기

▶ 기술자료에 기재되어 있는 충전기만 사용하십시오. 귀하의 전동공구에 사용된 리튬이온 배터리 에 맞춰진 충전기들입니다.

지침: 배터리는 일부 충전되어 공급됩니다. 배터리의 성능을 완전하게 보장하기 위해서는 처음 사용하기 전에 배터리를 충전기에 완전히 충전하십시오.

리튬이온 배터리는 항상 충전할 수 있으며, 이로 인해 수명이 단축되지 않습니다. 충전을 하다 중간에 중지해도 배터리가 손상되지 않습니다.

리튬 이온 배터리는 “Electronic Cell Protection (ECP)” (전자 셀 보호) 기능이 있어 과도하게 방전

되지 않습니다. 배터리가 방전되면 안전 스위치가 작동하여 전동공구가 꺼지고 비트가 더 이상 움직이지 않습니다.

▶ 전동공구가 자동으로 작동이 중단된 경우 전원 스위치를 계속 누르지 마십시오. 배터리가 손상될 수 있습니다.

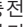
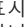
배터리 분리하기

배터리 (1) 는 배터리 해제 버튼 (2) 이 실수로 눌러져 배터리가 빠지는 것을 방지하기 위해 잠금장치가 이층으로 되어 있습니다. 전동공구에 배터리가 끼워져 있는 동안 배터리는 스프링으로 제 위치에 고정됩니다.

배터리 (1) 를 분리하려면 배터리 해제 버튼 (2) 을 누른 상태에서 배터리를 전동공구 측면으로 당겨내십시오. **무리하게 힘을 가하지 마십시오.**

배터리 충전상태 표시기

배터리 충전상태 표시기에 있는 녹색 LED는 배터리의 충전 상태를 나타냅니다. 안전상의 이유로 전동공구가 멈춰 있는 경우에만 잔량상태 확인이 가능합니다.

충전상태 표시기 버튼  또는  을 누르면, 충전 상태가 표시됩니다. 배터리가 분리된 상태에서도 표시 가능합니다.

충전상태 표시기 버튼을 눌렀는데도 LED가 켜지지 않으면 배터리가 손상된 것이므로 교환해 주어야 합니다.

배터리 형식 GBA 18V...



LED	용량
연속등 3x 녹색	60-100 %
연속등 2x 녹색	30-60 %
연속등 1x 녹색	5-30 %
점멸등 1x 녹색	0-5 %

배터리 형식 ProCORE18V...



LED	용량
연속등 5x 녹색	80-100 %
연속등 4x 녹색	60-80 %
연속등 3x 녹색	40-60 %
연속등 2x 녹색	20-40 %
연속등 1x 녹색	5-20 %
점멸등 1x 녹색	0-5 %

작동

기계 시동

배터리 장착하기

배터리가 안전하게 고정될 때까지 충전한 배터리 (1) 를 전동공구의 다리쪽으로 미십시오.

전원 스위치 작동

전동공구를 **켜려면** 전원 스위치 (3) 를 앞쪽으로 밀어 I 위치에 오게 하십시오.

전동공구를 **끄려면** 전원 스위치 (3) 를 뒤쪽으로 밀어 0 위치에 오게 하십시오.

절단 방향 전환

절단 방향은 다이 홀더 (7) 를 90°씩 각각 세 가지 위치로 돌려 변경할 수 있습니다. 절단 방향은 뒤쪽으로(하우징 쪽으로) 옮길 수 없습니다.

다이 홀더 (7) 를 돌리려면 다이 홀더를 돌릴 수 있을 때까지 나사 (4) 를 푸십시오. 다이 홀더를 전동공구의 가로 방향 좌측 또는 우측으로 90°씩 돌리십시오.

나사 (4) 가 다이 홀더 (7) 의 구멍에 끼워졌는지 확인하십시오. 나사를 단단히 조이십시오.

사용 방법

- ▶ **전동공구에 각종 작업(보수 정비 및 액세스리 교환 등)을 하거나 전동공구를 운반하거나 보관할 경우 배터리를 전동공구에서 빼십시오.** 실수로 전원 스위치가 작동하게 되면 상해를 입을 위험이 있습니다.
- ▶ **본 전동공구는 고정시켜 작업하는 용도로는 적합하지 않습니다.** 예를 들어 바이스에 고정시키거나 작업 거치대에 고정시켜 사용할 수 없습니다.
- ▶ **작업 시 보호 장갑을 착용하십시오.** 절단된 자재에서 날카로운 거스러미가 발생하여, 이로 인해 부상을 입을 수 있습니다.
- ▶ **절단 부스러기 취급 시 주의하십시오.** 금속 부스러기 끝이 날카롭기 때문에 다칠 수 있기 때문입니다.

전동공구는 스위치를 켜 상태에서만 작업물에 가까이 대십시오. 작업할 때 항상 전동공구를 강철판 표면에 수직이 되게 하여 유지하십시오.

편치가 아래쪽으로 움직이는 동안 절단이 진행됩니다. 전동공구를 일정하게 가볍게 누르면서 절단 방향으로 움직입니다. 무리하게 밀면서 작업하면 날의 수명이 훨씬 짧아지며 전동공구를 손상시킬 수 있습니다.

절단 시 본 전동공구를 약간 들어 올리면 보다 더 조용하게 작동됩니다. 절단 작업 시 편치가 걸리게 되면 전동공구의 스위치를 끄고 편치를 원활한 후에 금속판을 빼내십시오. 무리하게 힘을 가하면 편치와 다이가 손상될 수 있습니다.

절단 가능한 최대 금속판 두께

절단 가능한 최대 금속판 두께 d_{max} 는 가공하는 소재의 강도에 따라 달라집니다.

전동공구로 다음 최대 강도까지의 금속판을 절단할 수 있습니다:

작업 소재	최대 강도 (N/mm ²)	d_{max} (mm)
철재	400	1.6
	600	1.0
	800	0.7
알루미늄	200	2.0

편치 윤활하기/냉각하기

편치 (8) 의 수명을 늘리려면, 냉각 기능이 우수한 윤활제(예: 절삭유)를 사용해야 합니다.

금속판의 뒷면에서 예정된 절단 라인에 따라 윤활제를 바르십시오.

절단 표시 또는 가이드를 사용한 절단 작업

직선형 절단 작업을 할 때 전동공구를 그려진 선을 따라 움직이면 수월합니다.

곡선은 전동공구를 가이드 받침대를 따라 움직여 절단할 수 있습니다.

안쪽 절단 시에는 직경 21 mm의 구멍을 미리 뚫어 놓아야 합니다.

온도에 따른 과부하 방지 기능

규정에 맞게 사용할 때 전동공구의 과부하를 방지할 수 있습니다. 부하가 심하거나 허용된 배터리 온도 범위를 벗어날 경우, 스트로크 수가 감소되거나 전동공구가 꺼집니다. 스트로크 수가 감소된 경우 전동공구가 허용되는 배터리 온도에 다시 도달하면 완벽한 스트로크 수로 다시 작동됩니다. 자동으로 꺼질 경우, 전동공구의 전원을 끄고 배터리를 식힌 후에 다시 전원을 켜야 합니다.

올바른 배터리의 취급 방법

배터리를 습기나 물이 있는 곳에 두지 마십시오.

배터리를 -20 °C 에서 50 °C 온도 범위에서만 저장하십시오. 예를 들면 배터리를 여름에 자동차 안에 두지 마십시오.

가끔 배터리의 통풍구를 부드럽고 깨끗한 마른 솔로 청소하십시오.

충전 후 작동 시간이 현저하게 짧아지면 배터리의 수명이 다한 것이므로 배터리를 교환해야 합니다.

폐기처리에 관련된 지시 사항을 준수하십시오.

보수 정비 및 서비스

보수 정비 및 유지

- ▶ **전동공구에 각종 작업(보수 정비 및 액세스리 교환 등)을 하거나 전동공구를 운반하거나 보관할 경우 배터리를 전동공구에서 빼십시오.** 실수로 전원 스위치가 작동하게 되면 상해를 입을 위험이 있습니다.

- ▶ **안전하고 올바른 작동을 위하여 전동공구와 전동공구의 통풍구를 항상 깨끗이 하십시오.**

작동할 때 3시간에 한 번씩 편치 (8) 및 다이 (9) 를 청소하고 오일을 바르십시오.

날카로운 공구를 사용해 절단 결과가 좋고 전동공구를 보호할 수 있으므로 마모된 편치와 다이를 적시에 교환해 주어야 합니다.

편치 (8) 및 다이 (9) 는 자연마할 수 없습니다.

다이 교환하기

널리드 스크류 (11) 를 다이 홀더 (7) 에서 돌려 푸십시오. 다이 (9) 를 분리하십시오.

필요에 따라 다이 홀더 (7) 를 청소하십시오. 기름칠이 잘 된 새로운 다이 (9) 를 다이 홀더에 끼우십시오. 평평한 면의 방향에 유의하십시오.

널리드 스크류 (11) 를 고무 링 (10) 과 함께 다시 조이십시오. 육각키를 이용하여 고무 링의 저항에 밀리지 않게 단단히 조이십시오(3-4 Nm).

편치 교환하기

다이 홀더의 나사 (4) 를 풀고 다이 홀더 (7) 를 하우징에서 완전히 빼내십시오.

편치 (8) 를 마운트 측면에서 밀어 아래쪽으로 빼내십시오.

기름칠이 잘 된 새 편치 (8) 를 마운트 홈에 끼우고 중심에 맞춰 정렬하십시오.

다이 홀더 (7) 를 편치 위쪽에서 조심스럽게 하우징 쪽으로 되미십시오. 원하는 절단 방향에 따라 다이 홀더를 세 가지 위치 중 한 곳으로 돌리십시오. 다이 홀더의 나사 (4) 를 단단히 조이십시오.

AS 센터 및 사용 문의

AS 센터에서는 귀하 제품의 수리 및 보수정비, 그리고 부품에 관한 문의를 받고 있습니다. 대체 부품에 관한 분해 조립도 및 정보는 인터넷에서도 찾아볼 수 있습니다 - www.bosch-pt.com

보쉬 사용 문의 팀에서는 보쉬의 제품 및 해당 액세서리에 관한 질문에 기꺼이 답변 드릴 것입니다.

문의나 대체 부품 주문 시에는 반드시 제품 네임 플레이트에 있는 10자리의 부품번호를 알려 주십시오.

콜센터
080-955-0909

운반

포함되어 있는 리튬이온 배터리는 위험물 관련 규정을 따라야 합니다. 별도의 요구사항 없이 배터리를 사용자가 직접 도로 상에서 운반할 수 있습니다.

제3자를 통해 운반할 경우(항공 운송이나 운송 회사 등) 포장과 표기에 관한 특별한 요구 사항을 준수해야 합니다. 이 경우 발송 준비를 위해 위험물 전문가와 상담해야 합니다.

표면이 손상되지 않은 배터리만 사용하십시오. 배터리의 접촉 단자면을 덮어 불인 상태로 내부에서 움직이지 않도록 배터리를 포장하십시오. 또한 이와 관련한 국내 규정을 준수하십시오.

처리



전동공구, 배터리, 액세서리 및 포장은 환경 친화적인 방법으로 재생할 수 있도록 분류하십시오.



전동공구와 충전용 배터리/배터리를 가정용 쓰레기로 처리하지 마십시오!

충전용 배터리/배터리:

리튬이온:

운반 단락에 나와 있는 지침을 참고하십시오 (참조 „운반“, 페이지 23).

ไทย

คำเตือนเพื่อความปลอดภัย

คำเตือนเพื่อความปลอดภัยทั่วไปสำหรับเครื่องมือไฟฟ้า

คำเตือน อ่านคำเตือนเพื่อความปลอดภัย คำแนะนำ ภาพประกอบ และข้อมูล

จำเพาะทั้งหมดที่จัดส่งมาพร้อมกับเครื่องมือไฟฟ้า

การไม่ปฏิบัติตามคำแนะนำทั้งหมดที่ระบุไว้ด้านล่างนี้อาจทำให้ถูกไฟฟ้าดูด เกิดไฟไหม้ และ/หรือได้รับบาดเจ็บอย่างร้ายแรง

เก็บรักษาคำเตือนและคำสั่งทั้งหมดสำหรับเปิดอ่านในภายหลัง

คำว่า "เครื่องมือไฟฟ้า" ในคำเตือนหมายถึง เครื่องมือไฟฟ้าของสถานที่ทำงานด้วยพลังงานไฟฟ้าจากแหล่งจ่ายไฟหลัก (มีสายไฟฟ้า) และเครื่องมือไฟฟ้าที่ทำงานด้วยพลังงานไฟฟ้าจากแบตเตอรี่ (ไร้สาย)

ความปลอดภัยในสถานที่ทำงาน

- ▶ **รักษาสถานที่ทำงานให้สะอาดและมีไฟส่องสว่างดี**
สถานที่ที่มีมืดหรืออวกว้างนำมาซึ่งอุบัติเหตุ
- ▶ **อย่าใช้เครื่องมือไฟฟ้าทำงานในสภาพบรรยากาศที่จุดติดไฟได้ เช่น ในที่มีของเหลวไวไฟ ก๊าซ หรือฝุ่น**
เมื่อใช้เครื่องมือไฟฟ้าจะเกิดประกายไฟซึ่งอาจจุดฝุ่นหรือไอให้ลุกเป็นไฟได้
- ▶ **ขณะใช้เครื่องมือไฟฟ้าทำงาน ต้องกันเด็กและผู้ยืนดูให้ออกห่าง**
การหันเหความสนใจอาจทำให้ท่านขาดการควบคุมเครื่องมือ

ความปลอดภัยเกี่ยวกับไฟฟ้า

- ▶ **ปลั๊กของเครื่องมือไฟฟ้าต้องเหมาะสมพอดีกับเต้าเสียบ**
อย่าตัดแปลงปลั๊กไม่ว่าในลักษณะใดๆ อย่างเด็ดขาด

อย่าไขปลั๊กพ่วงต่อใดๆ กับเครื่องมือไฟฟ้าที่มีสายดิน ปลั๊กที่ไม่ตัดแปลงและเตาเสียบที่เข้ากันช่วยลดความเสี่ยงจากการถูกไฟฟ้าดูด

- ▶ หลีกเลี่ยงอย่าให้ร่างกายสัมผัสกับพื้นผิวที่ต่อสายดินหรือลงกราวด์ไว้ เช่น ท่อ เครื่องทำความร้อน เตา และตู้เย็น จะเสี่ยงอันตรายจากการถูกไฟฟ้าดูดมากขึ้นหากกระแสไฟฟ้าวิ่งผ่านร่างกายของท่านลงดิน
- ▶ อย่าให้เครื่องมือไฟฟ้าถูกฝนหรืออยู่ในสภาพเปียกชื้น หากน้ำเข้าในเครื่องมือไฟฟ้า จะเพิ่มความเสี่ยงจากการถูกไฟฟ้าดูด
- ▶ อย่าใช้สายไฟฟ้าในทางที่ผิด อย่าใช้สายไฟฟ้าเพื่อยก ดึง หรือถอดปลั๊กเครื่องมือไฟฟ้า กั้นสายไฟฟ้าออกจากความร่อน น้ำมัน ขอบแหลมคม หรือชิ้นส่วนที่เคลื่อนที่ สายไฟฟ้าที่ชำรุดหรือพันกันยุ่งเพิ่มความเสี่ยงจากการถูกไฟฟ้าดูด
- ▶ เมื่อใช้เครื่องมือไฟฟ้าทางานกลางแจ้ง ให้ใช้สายไฟฟ้ที่ต่อที่เหมาะสมสำหรับการใช้งานกลางแจ้ง การใช้สายไฟฟ้ที่ต่อที่เหมาะสมสำหรับงานกลางแจ้งช่วยลดอันตรายจากการถูกไฟฟ้าดูด
- ▶ หากไม่สามารถหลีกเลี่ยงการใช้เครื่องมือไฟฟ้าทางานในสถานที่เปียกชื้นได้ ให้ใช้สวิตช์ตัววงจรเมื่อเกิดการรั่วไหลของไฟฟ้าจากสายดิน (RCD) การใช้สวิตช์ตัววงจรเมื่อเกิดการรั่วไหลของไฟฟ้าจากสายดินช่วยลดความเสี่ยงต่อการถูกไฟฟ้าดูด

ความปลอดภัยของบุคคล

- ▶ ท่านต้องอยู่ในสภาพเตรียมพร้อม ระวังในสิ่งที่ท่านกำลังทำอยู่ และมีสติขณะใช้เครื่องมือไฟฟ้าทางาน อย่าใช้เครื่องมือไฟฟ้าขณะที่ท่านกำลังเหนื่อย หรืออยู่ภายใต้การครอบงำของฤทธิ์ของยาเสพติด แอลกอฮอล์ และยา เมื่อใช้เครื่องมือไฟฟ้าทางานในชั้นานที่ที่ท่านขาดความเอาใจใส่อาจทำให้บุคคลบาดเจ็บอย่างรุนแรงได้
- ▶ ใช้อุปกรณ์ปกป้องร่างกาย สวมแว่นตาป้องกันเสมอ อุปกรณ์ปกป้อง เช่น หน้ากากกันฝุ่น รองเท้ากันลื่น หมวกแข็ง หรือประคบหูกันเสียงดังที่ไซตามความเหมาะสมกับสภาพการทำงาน จะลดการบาดเจ็บทางร่างกาย
- ▶ ป้องกันการติดเครื่องโดยไม่ตั้งใจ ตรวจสอบให้แน่ใจว่าสวิตช์อยู่ในตำแหน่งปิดก่อนเชื่อมต่อเข้ากับแหล่งจ่ายไฟ และ/หรือแบตเตอรี่แพ็ค ยกหรือถือเครื่องมือถือเครื่องโดยใช้นิ้วหัวที่สวิตช์ หรือเสียบปลั๊กไฟฟ้ขณะสวิตช์เปิดอยู่ อาจนำไปสู่อุบัติเหตุที่ร้ายแรงได้
- ▶ นำเครื่องมือปรับแต่งหรือประแจปากดาบออกก่อนเปิดสวิตช์เครื่องมือไฟฟ้า เครื่องมือหรือประแจปาก

ดาบที่วางอยู่กับส่วนของเครื่องที่กำลังหมุนจะทำให้บุคคลบาดเจ็บได้

- ▶ อย่าเอื้อมไกลเกินไป ตั้งทำยิมที่มั่นคงและวางน้ำหนักให้สมดุลตลอดเวลา ในลักษณะนี้ท่านสามารถควบคุมเครื่องมือไฟฟ้าในสถานการณ์ที่ไม่คาดคิดได้ดีกว่า
- ▶ แต่งกายอย่างเหมาะสม อย่าใส่เสื้อผ้าหลวมหรือสวมเครื่องประดับ เอาผมและเสื้อผ้าออกจากชิ้นส่วนที่เคลื่อนที่ เสื้อผ้าหลวม เครื่องประดับ และผมยาวอาจเข้าไปติดในชิ้นส่วนที่เคลื่อนที่
- ▶ หากเครื่องมือไฟฟ้ามีข้อเชื่อมต่อกับเครื่องดูดฝุ่นหรือเครื่องเก็บผง ให้ตรวจสอบให้แน่ใจว่าได้เชื่อมต่อและใช้งานอย่างถูกต้อง การใช้อุปกรณ์ดูดฝุ่นช่วยลดอันตรายที่เกิดจากฝุ่นได้
- ▶ เมื่อใช้งานเครื่องบ่อยครั้งจะเกิดความคุ้นเคย อย่าให้ความคุ้นเคยทำให้ท่านเกิดความชะล่าใจและละเลยกฎเกณฑ์ด้านความปลอดภัยในการใช้งานเครื่อง การทำงานอย่างไม่ระมัดระวังอาจทำให้เกิดการบาดเจ็บอย่างร้ายแรงภายในเสี้ยววินาที

การใช้และการดูแลรักษาเครื่องมือไฟฟ้า

- ▶ อย่างนึ่งกำลังเครื่องมือไฟฟ้า ใช้เครื่องมือไฟฟ้าที่ถูกต้องตรงตามลักษณะงานของท่าน เครื่องมือไฟฟ้าที่ถูกต้องจะทำงานได้ดีกว่าและปลอดภัยกว่าในระดับสมรรถภาพที่ออกแบบไว้
- ▶ อย่าใช้เครื่องมือไฟฟ้าถ้าสวิตช์ไม่สามารถเปิดปิดได้ เครื่องมือไฟฟ้าที่ไม่สามารถควบคุมการเปิดปิดด้วยสวิตช์ได้ เป็นเครื่องมือไฟฟ้าที่ไม่ปลอดภัยและต้องส่งซ่อมแซม
- ▶ ก่อนปรับแต่งเครื่อง เปลี่ยนอุปกรณ์ประกอบ หรือเก็บเครื่องเข้าที่ ต้องถอดปลั๊กออกจากแหล่งจ่ายไฟ และ/หรือถอดแบตเตอรี่แพ็คออกจากเครื่องมือไฟฟ้าหากถอดออกได้ มาตรการป้องกันเพื่อความปลอดภัยนี้ช่วยลดความเสี่ยงจากการติดเครื่องโดยไม่ตั้งใจ
- ▶ เมื่อเลิกใช้งานเครื่องมือไฟฟ้า ให้เก็บเครื่องไว้ในที่ที่เด็กหยิบไม่ถึง และไม่อนุญาตให้บุคคลที่ไม่คุ้นเคยกับเครื่องหรือบุคคลที่ไม่ได้อ่านคำแนะนำเหล่านี้ใช้เครื่อง เครื่องมือไฟฟ้าเป็นของอันตรายหากตกอยู่ในมือของผู้ใช้ที่ไม่ได้รับการฝึกฝน
- ▶ บำรุงรักษาเครื่องมือไฟฟ้าและอุปกรณ์ประกอบ ตรวจสอบชิ้นส่วนที่เคลื่อนที่ว่าวางไม่ตรงแนวหรือติดขัดหรือไม่ ตรวจสอบการแตกหักของชิ้นส่วนและสภาพอื่นใดที่อาจส่งผลต่อการทำงานของเครื่องมือไฟฟ้า หากชำรุดต้องส่งเครื่องมือไฟฟ้าไปซ่อมแซมก่อนใช้งาน อุบัติเหตุหลายอย่างเกิดขึ้นเนื่องจากดูแลรักษาเครื่องมือไม่ดีพอ

- ▶ **รักษาเครื่องมือตัดให้คมและสะอาด**
หากบำรุงรักษาเครื่องมือที่มีขอบตัดแหลมคมอย่างถูกต้อง จะสามารถตัดได้ลื่นไม่ติดขัดและควบคุมได้ง่ายกว่า
- ▶ **ใช้เครื่องมือไฟฟ้า อุปกรณ์ประกอบ เครื่องมือ และอุปกรณ์อื่นๆ** ตรงตามคำแนะนำเหล่านี้ โดยคำนึงถึงเงื่อนไขการทำงานและงานที่จะทำ การใช้เครื่องมือไฟฟ้าทำงานที่ต่างไปจากวัตถุประสงค์การใช้งานของเครื่อง อาจนำไปสู่สถานการณ์ที่เป็นอันตรายได้
- ▶ **ดูแลคัมจับและพื้นผิวจับให้แห้ง สะอาด และปราศจากคราบน้ำมันและจาระบี** คัมจับและพื้นผิวจับที่ลื่นทำให้ยึดจับได้ไม่ปลอดภัย และไม่สามารถควบคุมเครื่องมือในสถานการณ์ที่ไม่คาดคิด

การใช้และการดูแลรักษาเครื่องมือที่ใช้แบตเตอรี่

- ▶ **ชาร์จไฟใหม่ด้วยเครื่องชาร์จที่บริษัทผู้ผลิตระบุไว้เท่านั้น**
เครื่องชาร์จที่เหมาะสมสำหรับชาร์จแบตเตอรี่แพ็คเกจหนึ่ง หากนำไปชาร์จแบตเตอรี่แพ็คเกจอื่น อาจเกิดไฟไหม้ได้
- ▶ **ใช้เครื่องมือไฟฟ้าเฉพาะกับแบตเตอรี่แพ็คเกจที่กำหนดไว้เท่านั้น** การใช้แบตเตอรี่แพ็คเกจอื่นเสี่ยงต่อการเกิดไฟไหม้หรือบาดเจ็บ
- ▶ **เมื่อไม่ใช้งานแบตเตอรี่แพ็คเกจ ให้เก็บไว้ห่างวัตถุที่เป็นโลหะอื่นๆ** เช่น คลิปหนีบกระดาษ เหยียง ทุบ ตะปู สกรู หรือวัตถุที่เป็นโลหะขนาดเล็กอื่นๆ ที่สามารถเชื่อมต่อขั้วหนึ่งไปยังอีกขั้วหนึ่งได้
การลัดวงจรของขั้วแบตเตอรี่อาจทำให้เกิดการไหม้หรือไฟลุกได้
- ▶ **หากใช้แบตเตอรี่อย่างอาจมีของเหลวไหลออกมาจากแบตเตอรี่ได้ ให้หลีกเลี่ยงการสัมผัส หากสัมผัสโดยบังเอิญ ให้ใช้น้ำล้าง หากของเหลวเข้าตา ให้ขอความช่วยเหลือจากแพทย์ด้วย**
ของเหลวที่ไหลออกมาจากแบตเตอรี่อาจทำให้เกิดอาการคันหรือแสบผิวหนึ่งได้
- ▶ **อย่าใช้แบตเตอรี่แพ็คเกจหรือเครื่องมือที่ชำรุดหรือดัดแปลง**
แบตเตอรี่ที่ชำรุดหรือดัดแปลงอาจแสดงอาการที่ไม่สามารถคาดเดาได้ ส่งผลให้เกิดไฟไหม้ ระเบิด หรือความเสี่ยงต่อการได้รับบาดเจ็บ
- ▶ **อย่าให้แบตเตอรี่แพ็คเกจหรือเครื่องมือสัมผัสไฟหรืออุณหภูมิที่สูงเกินไป** หากสัมผัสไฟหรืออุณหภูมิที่สูงกว่า 130 °C อาจทำให้เกิดการระเบิดได้
- ▶ **ปฏิบัติตามคำแนะนำเกี่ยวกับกรชาร์จทั้งหมด และต้องไม่ชาร์จแบตเตอรี่แพ็คเกจหรือเครื่องมือ นอกช่วงอุณหภูมิที่กำหนดในคำแนะนำ** การชาร์จแบตเตอรี่อย่างไม่ถูกวิธีหรือนอกช่วงอุณหภูมิที่กำหนด

อาจทำให้แบตเตอรี่เสียหายและเพิ่มความเสี่ยงต่อการเกิดไฟไหม้

การบริการ

- ▶ **ส่งเครื่องมือไฟฟ้าของท่านเข้ารับบริการจากช่างซ่อมที่มีคุณสมบัติเหมาะสม โดยใช้อะไหล่ที่เหมือนกันเท่านั้น** ในลักษณะนี้ท่านจะแน่ใจได้ว่าเครื่องมือไฟฟ้าอยู่ในสภาพที่ปลอดภัย
- ▶ **อย่าบำรุงรักษาแบตเตอรี่แพ็คเกจที่ชำรุดอย่างเด็ดขาด** ต้องส่งให้บริษัทผู้ผลิตหรือศูนย์บริการที่ได้รับอนุญาตทำการบำรุงรักษาแบตเตอรี่แพ็คเกจเท่านั้น

คำเตือนเพื่อความปลอดภัยสำหรับกรไกรไฟฟ้ากวดตัด

- ▶ **เครื่องมือไฟฟ้าไม่เหมาะสำหรับการทำงานแบบอยู่กับที่** ไม่ควรยึดเครื่อง ตัวอย่าง เช่น ไขว้นปากก้างขึ้นงานหรือยึดไว้บนโต๊ะทำงาน
- ▶ **สวมถุงมือป้องกันอันตรายขณะทำงาน** ตรงแผ่นโลหะที่ตัดออกจะมีเส้นแหลมคมที่อาจทำให้ท่านได้รับบาดเจ็บ
- ▶ **เมื่อแบตเตอรี่ชำรุดและนำไปใช้งานอย่างไม่ถูกต้อง อาจมีไอระเหยออกมาได้** แบตเตอรี่อาจเผาไหม้หรือระเบิดได้ให้สูดอากาศบริสุทธิ์และไปพบแพทย์ในกรณีเจ็บปวด ไอระเหยอาจทำให้ระบบหายใจระคายเคือง
- ▶ **อย่าเปิดแบตเตอรี่** อันตรายจากการลัดวงจร
- ▶ **วัตถุที่แหลมคม ต. ย. เช่น ตะปูหรือไขควง หรือแรงกระทำภายนอก อาจทำให้แบตเตอรี่เสียหายได้** สิ่งเหล่านี้ อาจทำให้เกิดการลัดวงจรภายในและแบตเตอรี่ไหม้ มีควัน ระเบิด หรือร้อนเกินไป
- ▶ **ใช้แบตเตอรี่แพ็คเกจเฉพาะในผลิตภัณฑ์ของผู้ผลิตเท่านั้น** ในลักษณะนี้ แบตเตอรี่แพ็คเกจได้รับการปกป้องจากการใช้งานเกินกำลังซึ่งเป็นอันตราย



ปกป้องแบตเตอรี่จากความร้อน รวมทั้ง ต. ย. เช่น จากการถูกแสงแดดส่องต่อเนื่อง จากไฟลิ่งสปาร์ก น้ำ และความชื้น อันตรายจากการระเบิดและการลัดวงจร

รายละเอียดผลิตภัณฑ์และข้อมูล

จำเพาะ



อ่านคำเตือนเพื่อความปลอดภัยและคำแนะนำทั้งหมด การไม่ปฏิบัติตามคำเตือนและคำสั่งอาจเป็นสาเหตุให้ถูกไฟฟาด เกิดไฟไหม้ และ/หรือได้รับบาดเจ็บอย่างร้ายแรง

กรุณาดูภาพประกอบในส่วนหน้าของคู่มือการใช้งาน

ประโยชน์การใช้งานของเครื่อง

เครื่องนี้ใช้สำหรับตัดแผ่นโลหะโดยไม่ทำให้วัสดุเสียรูป และยังเหมาะสำหรับการตัดตรง ตัดออก และตัดโค้งแคบ

ส่วนประกอบที่แสดงภาพ

ลำดับเลขของส่วนประกอบผลิตภัณฑ์อ้างอิงส่วนประกอบของเครื่องที่แสดงในหน้าภาพประกอบ

- (1) แบตเตอรี่^{A)}
 - (2) แป้นปลดล็อกแบตเตอรี่^{A)}
 - (3) สวิตช์เปิด-ปิด
 - (4) สกรูสำหรับตัวยึดแม่พิมพ์ดอกโลหะ
 - (5) ด้ามจับ (พื้นผิวจับหุ้มฉนวน)
 - (6) โอ-ริง
 - (7) ตัวยึดแม่พิมพ์ดอกโลหะ
 - (8) ตัวดอก
 - (9) แม่พิมพ์ดอกโลหะ
 - (10) แหวนยางของนอตแบบเป็นสัน
 - (11) นอตแบบเป็นสันสำหรับแม่พิมพ์ดอกโลหะ
- A) อุปกรณ์ประกอบที่แสดงภาพหรืออธิบายไม่รวมอยู่ในการจัดส่งมาตรฐาน
กรุณาดูอุปกรณ์ประกอบทั้งหมดในรายการแสดงอุปกรณ์ประกอบของเรา

ข้อมูลทางเทคนิค

กรรไกรไฟฟ้าตัดตัด	GNA 18V-16	
หมายเลขสินค้า		3 601 E29 5..
แรงดันไฟฟ้าฟักัด	V=	18
อัตราขยายชักเคลื่อนตัวเปล่า n_0	min ⁻¹	1400
ความหนาของแผ่นโลหะสูงสุดที่จะนำมาตัด ^{A)}	มม.	1.6
ความกว้างการตัด	มม.	5
รัศมีความโค้งขนาดเล็กสุด	มม.	40
น้ำหนักตามระเบียบการ EPTA-Procedure 01:2014	กก.	2.2-3.0 ^{B)}
อุณหภูมิโดยรอบที่แนะนำเมื่อชาร์จ	°C	0 ... +35
อุณหภูมิโดยรอบที่อนุญาตเมื่อมีใช้งาน ^{C)} และระหว่างการเก็บรักษา	°C	-20 ... +50

กรรไกรไฟฟ้าตัดตัด

GNA 18V-16

แบตเตอรี่ที่แนะนำ		GBA 18V... ProCORE18V...
เครื่องชาร์จที่แนะนำ		GAL 18... GAX 18... GAL 36...

- A) อ้างอิงจากแผ่นเหล็กกล้าถึง 400 N/mm²
B) ขึ้นอยู่กับแบตเตอรี่แพ็คที่ใช้
C) สมรรถภาพจะน้อยลงที่อุณหภูมิ <0 °C

การติดตั้ง

การชาร์จแบตเตอรี่

▶ ใช้เฉพาะเครื่องชาร์จแบตเตอรี่ที่ระบุในข้อมูลทางเทคนิคเท่านั้น เฉพาะเครื่องชาร์จแบตเตอรี่เหล่านี้เท่านั้นที่เข้าชุดกับแบตเตอรี่ลิเธียม ไอออน ของเครื่องมือไฟฟ้าของท่าน

หมายเหตุ: แบตเตอรี่แพ็คที่จัดส่งมาถูกชาร์จมาแล้วบางส่วน เพื่อให้แบตเตอรี่แพ็คทำงานได้เต็มประสิทธิภาพ ต้องชาร์จแบตเตอรี่แพ็คในเครื่องชาร์จแบตเตอรี่ให้เต็มก่อนใช้งานเครื่องมือไฟฟ้าของท่านเป็นครั้งแรก

แบตเตอรี่ลิเธียม ไอออน สามารถชาร์จได้ทุกเวลาโดยอายุการใช้งานจะไม่ลดลง การชาร์จหะระบวนการชาร์จไม่ทำให้แบตเตอรี่แพ็คเสียหาย “Electronic Cell Protection (ECP)” ช่วยป้องกันไม่ให้แบตเตอรี่ลิเธียม ไอออน จ่ายกระแสไฟออกอีก เมื่อแบตเตอรี่แพ็คหมดไฟ วงจรป้องกันจะดับสวิตช์เครื่องเครื่องมือที่ใส่อยู่จะไม่หมุนต่อ

▶ เมื่อเครื่องมือไฟฟ้าปิดสวิตช์ลงโดยอัตโนมัติ อย่างดสวิทช์เปิด-ปิด อีกต่อไป แบตเตอรี่แพ็คอาจชาร์จได้

การถอดแบตเตอรี่

แบตเตอรี่ (1) มีการล็อกสองระดับเพื่อป้องกันไม่ให้แบตเตอรี่ร่วงหลุดออกมาหากกดแป้นปลดล็อกแบตเตอรี่ (2) โดยไม่ตั้งใจ เมื่อแบตเตอรี่ถูกบรรจุอยู่ในเครื่องมือไฟฟ้า สปริงจะยึดแบตเตอรี่ให้เข้าตำแหน่ง

เมื่อต้องการถอดแบตเตอรี่ (1) ให้กดแป้นล็อกแบตเตอรี่ (2) และดึงแบตเตอรี่ออกจากเครื่องมือไฟฟ้า อย่าใช้กำลังดึง

ไฟแสดงสถานะการชาร์จแบตเตอรี่

ไฟ LED สีเขียวของการแสดงสถานะการชาร์จแบตเตอรี่ แสดงสถานะการชาร์จของแบตเตอรี่ ด้วยเหตุผลด้านความ

ปลอดภัยท่านสามารถตรวจสอบสถานะการชาร์จเฉพาะเมื่อ เครื่องมือไฟฟ้าหยุดสนิทเท่านั้น

กดปุ่มสำหรับไฟแสดงสถานะการชาร์จแบตเตอรี่ ๑ หรือ ๒ เพื่อแสดงสถานะการชาร์จ ท่านสามารถกดได้แม้เมื่อได้ถอด แบตเตอรี่ออกแล้ว

หลังจากกดปุ่มสำหรับไฟแสดงสถานะการชาร์จแบตเตอรี่แล้ว ไฟ LED ไม่ติดขึ้น แสดงว่าแบตเตอรี่พร้อมและต้องเปลี่ยน ใหม่

แบตเตอรี่-ชนิด GBA 18V...



LED	ความจุ
ส่องสว่างต่อเนื่อง 3× สีเขียว	60-100 %
ส่องสว่างต่อเนื่อง 2× สีเขียว	30-60 %
ส่องสว่างต่อเนื่อง 1× สีเขียว	5-30 %
ไฟกะพริบ 1× สีเขียว	0-5 %

แบตเตอรี่-ชนิด ProCORE18V...



LED	ความจุ
ส่องสว่างต่อเนื่อง 5× สีเขียว	80-100 %
ส่องสว่างต่อเนื่อง 4× สีเขียว	60-80 %
ส่องสว่างต่อเนื่อง 3× สีเขียว	40-60 %
ส่องสว่างต่อเนื่อง 2× สีเขียว	20-40 %
ส่องสว่างต่อเนื่อง 1× สีเขียว	5-20 %
ไฟกะพริบ 1× สีเขียว	0-5 %

การปฏิบัติงาน

การเริ่มต้นปฏิบัติงาน

การใส่แบตเตอรี่

เลื่อนแบตเตอรี่ที่ชาร์จแล้ว (1) เข้าในฐานของเครื่องมือ ไฟฟ้าจนแบตเตอรี่ล็อกเข้าอย่างแน่นหนา

การเปิด-ปิดเครื่อง

เมื่อต้องการ **เปิดสวิตช์** เครื่องมือไฟฟ้า ให้เลื่อนสวิตช์เปิด/ ปิด (3) ไปด้านหน้าเพื่อให้ I ปรากฏบนสวิตช์

เมื่อต้องการ **ปิดสวิตช์** เครื่องมือไฟฟ้า ให้เลื่อนสวิตช์เปิด/ ปิด (3) ไปด้านหลัง เพื่อให้ 0 ปรากฏบนสวิตช์

เปลี่ยนทิศทางการตัด

ในการเปลี่ยนทิศทางการตัด ท่านสามารถหมุนที่ยึดแม่พิมพ์ (7) ไปในตำแหน่งองศา 90° ได้สามตำแหน่ง ไม่สามารถหมุนทิศทางการตัดไม่ด้านหลัง (ไปทางตัวเรือน) เมื่อต้องการหมุนที่ยึดแม่พิมพ์ (7) ให้คลายสกรู (4) จนสามารถหมุนที่ยึดแม่พิมพ์ได้ หมุนที่ยึด 90° จากเพลาตามยาวของเครื่องมือไฟฟ้าไปทางด้านขวาหรือด้านซ้าย ตรวจสอบให้แน่ใจว่าสกรู (4) ขมเข้าในรูที่ยึดแม่พิมพ์ (7) ขึ้นสกรูให้แน่น

ข้อแนะนำในการทำงาน

- ▶ **ถอดแบตเตอรี่ออกจากเครื่องมือไฟฟ้าก่อนทำการปรับแต่งใดๆ ที่เครื่องมือไฟฟ้า (ค. ย. เช่น บำรุงรักษา เปลี่ยนเครื่องมือ ฯลฯ) รวมทั้งเมื่อขนย้ายและเก็บรักษา** อันตรายจากการขาดแจ้งหากสวิตช์เปิด-ปิดติดขึ้นอย่างไม่ตั้งใจ
- ▶ **เครื่องมือไฟฟ้าไม่เหมาะสำหรับการทำงานแบบอยู่กับที่** ไม่ควรยึดเครื่อง ตัวอย่าง เช่น ไขในปากกัจับชิ้นงานหรือยึดไว้บนโต๊ะทำงาน
- ▶ **สวมถุงมือป้องกันอันตรายขณะทำงาน** ตรงแผ่นโลหะที่ตัดออกจะมีเส้นแหลมคมที่อาจทำให้ท่านได้รับบาดเจ็บ
- ▶ **ข้อควรระวังในการจัดการเศษตัด** เศษตัดมีปลายแหลมคมที่อาจทำให้บาดเจ็บได้

จับเครื่องเข้าทำงานเมื่อเครื่องเปิดทำงานอยู่เท่านั้น ให้ถือเครื่องมือไฟฟ้าตั้งฉากกับพื้นผิวของแผ่นโลหะเสมอ และห้ามเอียง

การตัดจะเกิดขึ้นขณะที่หัวดอกเจาะเคลื่อนที่ลงด้านล่าง เคลื่อนเครื่องอย่างสม่ำเสมอและอ่อนเบาๆ ไปในทิศทางการเคลื่อนเครื่องไปข้างหน้าเกินกำลังจะบั่นทอนอายุการใช้งานของเครื่องมือตัดและอาจทำให้เครื่องมือไฟฟ้าชำรุดได้ เครื่องมือไฟฟ้าจะทำงานนิ่งขึ้นหากมีการยกขึ้นเล็กน้อยขณะตัด หากหัวดอกเจาะติดขัดขณะทำการตัด ให้ปิดเครื่องมือไฟฟ้า หยอดน้ำมันหล่อลื่นหัวดอกเจาะและคลายความตึงแผ่นโลหะ กรุณาอย่าใช้กำลัง มิฉะนั้นหัวดอกเจาะและแม่พิมพ์อาจเสียหายได้

ความสามารถสูงสุดในการตัดแผ่นเหล็ก

ความหนาสูงสุดของแผ่นโลหะที่จะทำการตัด d_{max} จะขึ้นอยู่กับความแข็งแรงของวัสดุที่จะจัดการ

เครื่องมือสามารถตัดแผ่นโลหะถึงความหนาดังต่อไปนี้:

วัสดุ	ความแข็งแรงสูงสุด (N/mm ²)	d_{max} (มม.)
เหล็กกล้า	400	1.6

วัสดุ	ความแข็งแรงสูงสุด (N/mm ²)	d _{max} (มม.)
	600	1.0
	800	0.7
อะลูมิเนียม	200	2.0

การขีโลมน้ำมันหล่อลื่น/การระบายความร้อนหัวดอกเจาะ
เพื่อยืดอายุการใช้งานของหัวดอกเจาะ (8) ท่านควรใช้น้ำมันหล่อลื่นที่ท่านหาที่ระบายความร้อนได้ดี (เช่น น้ำมันตัดกลึง) หรือน้ำมันหล่อลื่นที่ด้านบนของแผ่นตามแนวตัดที่วางไว้

การตัดตามรอยเครื่องหมายหรือโดยใช้แผ่นแม่แบบ
การตัดตรงทำได้ง่ายขึ้นเมื่อจับเครื่องเทียบไปตามไม้บรรทัด สามารถตัดเค้าโครงได้ด้วยการเดินเครื่องมือไฟฟ้าตามแนวแม่แบบ

สำหรับการตัดด้านใน จะต้องมีการเจาะรูที่มีเส้นผ่านศูนย์กลาง 21 มม.

การป้องกันการใช้งานเกินกำลังโดยอาศัยอุณหภูมิจ
เมื่อใช้งานเครื่องมือไฟฟ้าตรงตามวัตถุประสงค์ เครื่องจะไม่ทำงานเกินพิกัด หากทำงานเกินกำลังมากหรือไม่อยู่ในช่วงอุณหภูมิเบตเตอร์ที่อนุญาต ความเร็วรอบจะลดลงหรือเครื่องมือไฟฟ้าจะปิดสวิทช์ ในกรณีที่มีความเร็วรอบลดลง เครื่องมือไฟฟ้าจะทำงานเต็มรูปแบบอีกครั้งเมื่อถึงอุณหภูมิเบตเตอร์ที่อนุญาต เมื่อเครื่องมือไฟฟ้าปิดสวิทช์โดยอัตโนมัติ ให้ปิดสวิทช์เครื่อง ปล่อยให้เบตเตอร์แพ็คเย็นลง แล้วจึงเปิดสวิทช์เครื่องมือไฟฟ้าอีกครั้ง

ข้อแนะนำในการปฏิบัติต่อเบตเตอร์อย่างเหมาะสมที่สุด
ปกป้องเบตเตอร์จากความชื้นและน้ำ

เก็บรักษาเบตเตอร์แพ็คในช่วงอุณหภูมิ -20 °C ถึง 50 °C เท่านั้น อย่าปล่อยให้เบตเตอร์แพ็คไว้ในรถยนต์ในช่วงฤดูร้อน

ทำความสะอาดช่องระบายอากาศเป็นครั้งคราวโดยใช้แปรงขนอ่อนที่แห้งและสะอาด หลังจากชาร์จเบตเตอร์แล้ว หากเบตเตอร์แพ็คมีช่วงเวลาทำงานสั้นมาก แสดงว่าเบตเตอร์แพ็คเสื่อมและต้องเปลี่ยนใหม่
อ่านและปฏิบัติตามข้อสังเกตสำหรับการกำจัดขยะ

การบำรุงรักษาและการบริการ

การบำรุงรักษาและการทำความสะอาด

- ▶ ถอดเบตเตอร์ออกจากเครื่องมือไฟฟ้าก่อนทำการปรับแต่งใดๆ ที่เครื่องมือไฟฟ้า (ต. ย. เช่น บำรุงรักษา เปลี่ยนเครื่องมือ ฯลฯ) รวมทั้งเมื่อขนย้ายและเก็บรักษา

อันตรายจากการบาดเจ็บหากสวิทช์เปิด-ปิดติดขึ้นอย่างไม่ตั้งใจ

- ▶ เพื่อให้ทำงานได้อย่างถูกต้องและปลอดภัย ต้องรักษาเครื่องและช่องระบายอากาศให้สะอาดอยู่เสมอ

ทำความสะอาดและทาน้ำมันหล่อลื่นที่หัวดอกเจาะ (8) และแม่พิมพ์ (9) ทุกๆ 3 ชั่วโมงการปฏิบัติการ

เปลี่ยนหัวดอกเจาะและแม่พิมพ์ทันทีที่สึกหรือ เพราะเฉพาะเครื่องมือที่คมเท่านั้นที่จะช่วยให้มีประสิทธิภาพการตัดที่ดีและช่วยรักษาเครื่องมือไฟฟ้า

ห้ามใส่หัวดอกเจาะ (8) และแม่พิมพ์ (9) ซ้ำ

การเปลี่ยนแม่พิมพ์ดอกโลหะ

ขันสกรูสาย (11) ออกจากที่ยึดแม่พิมพ์ (7) ถอดแม่พิมพ์ออก (9)

ทำความสะอาดที่ยึดแม่พิมพ์ (7) หากจำเป็น ใส่แม่พิมพ์ (9) อันใหม่ที่ทาน้ำมันหล่อลื่นเป็นอย่างดีแล้วขันน็อตที่ยึดแม่พิมพ์ ขณะติดตั้งให้ใส่ใจใส่จัดตำแหน่งด้านแบนให้ถูกต้อง

ขันสกรูสาย (11) พร้อมแหวนยาง (10) เข้าอีกครั้ง ใช้ประแจขันหกเหลี่ยมขันสกรูให้แน่นโดยตามความฝืดด้านทานของแหวนยาง (3-4 Nm)

การเปลี่ยนหัวดอกเจาะ

คลายสกรู (4) ของที่ยึดแม่พิมพ์และขันที่ยึดแม่พิมพ์ (7) ออกจากตัวเรือนทั้งหมด

เลื่อนหัวดอกเจาะ (8) ออกจากที่รองทางด้านข้างและถอดออกทางด้านล่าง

ติดตั้งหัวดอกเจาะ (8) อันใหม่ที่ทาน้ำมันหล่อลื่นมาอย่างดี เขาในร่องของที่รองและจัดให้อยู่ตรงกลาง

เลื่อนที่ยึดแม่พิมพ์ (7) อย่างระมัดระวังผ่านหัวดอกเจาะเข้าในตัวเรือน หมุนที่ยึดแม่พิมพ์ในทิศทางที่ตัดที่ตัดองการในสามตำแหน่งที่เป็นไปได้ ขันสกรู (4) ของที่ยึดแม่พิมพ์ให้แน่น

การบริการหลังการขายและการให้คำปรึกษาการใช้งาน

ศูนย์บริการหลังการขายของเรายินดีตอบคำถามของท่านที่เกี่ยวกับการบำรุงรักษาและการซ่อมแซมผลิตภัณฑ์รวมทั้งเรื่องอะไหล่ ภาพเขียนแบบการประกอบและข้อมูลเกี่ยวกับอะไหล่ กรุณาดูใน: www.bosch-pt.com

ทีมงานที่ปรึกษาของ บอช ยินดีให้ข้อมูลเกี่ยวกับผลิตภัณฑ์ของเราและอุปกรณ์ประกอบต่างๆ

เมื่อต้องการสอบถามและสั่งซื้ออะไหล่ กรุณาแจ้งหมายเลขสินค้า 10 หลักบนแผนป้ายระบุของผลิตภัณฑ์ทุกครั้ง

ไทย

ไทย บริษัท โรเบิร์ต บอช จำกัด
 เอฟวายโอ เซ็นเตอร์ อาคาร 1 ชั้น 5
 เลขที่ 2525 ถนนพระราม 4
 แขวงคลองเตย เขตคลองเตย กรุงเทพฯ 10110
 โทร: +66 2012 8888
 แฟกซ์: +66 2064 5800
 www.bosch.co.th

ศูนย์บริการซ่อมและฝึกอบรม บอช
 อาคาร ลาซาลทาวเวอร์ ชั้น G ห้องเลขที่ 2
 บ้านเลขที่ 10/11 หมู่ 16
 ถนนศรีนครินทร์ ตำบลบางแก้ว อำเภอบางพลี
 จังหวัดสมุทรปราการ 10540
 ประเทศไทย
 โทรศัพท์ 02 7587555
 โทรสาร 02 7587525

การขนส่ง

แบตเตอรี่ลิเธียม ไอออน ที่บรรจุอยู่ภายใน
 ได้ข้อกำหนดแห่งกฎหมายสินค้าอันตราย ผู้
 ใช้สามารถขนส่งแบตเตอรี่แพ็คโดย
 ทางถนนโดยไม่มีข้อบังคับอื่นหากขนส่งโดยบุคคลที่สาม
 (เช่น : การขนส่งทางอากาศ หรือตัวแทนขนส่งสินค้า)
 ต้องปฏิบัติตามข้อกำหนดพิเศษเกี่ยวกับการบรรจุ
 ถัดมาและการติดฉลาก สำหรับการจัดเตรียมสิ่งของที่จะจัดส่ง
 จำเป็นต้องปรึกษาผู้เชี่ยวชาญด้านวัตถุอันตราย
 ส่งแบตเตอรี่แพ็คเมื่อตัวหุ้มไม่ชำรุดเสียหายเท่านั้น ไข่แถบ
 กาวพันปิดหน้าสัมผัสที่เปิดอยู่ และนำแบตเตอรี่แพ็ค
 ใส่กล่องบรรจุโดยไม่ให้เคลื่อนไปมาในกล่องได้ นอกจากนี้
 นี้กรุณาปฏิบัติตามกฎระเบียบของประเทศซึ่งอาจมีรายละเอียดเพิ่มเติม

การกำจัดขยะ

เครื่องมือไฟฟ้า แบตเตอรี่แพ็ค อุปกรณ์ประกอบ
 และหีบห่อ ต้องนำ

ไปแยกประเภทวัสดุเพื่อนำกลับมาใช้
 ใหม่โดยไม่ทำลายสภาพแวดล้อม



อย่าทิ้งเครื่องมือไฟฟ้าและแบตเตอรี่แพ็ค/
 แบตเตอรี่ที่นำกลับมาใช้ใหม่ได้ ลงในขยะ
 บ้าน!

แบตเตอรี่แพ็ค/แบตเตอรี่:**ลิเธียม ไอออน:**

กรุณาปฏิบัติตามคำแนะนำในบทการขนส่ง (ดู "การขนส่ง",
 หน้า 29)

Bahasa Indonesia**Petunjuk Keselamatan****Petunjuk keselamatan umum untuk perkakas listrik****⚠ PERINGATAN Baca semua peringatan, petunjuk, ilustrasi, dan spesifikasi**

keselamatan yang diberikan bersama perkakas listrik ini. Kesalahan dalam menjalankan petunjuk di bawah ini dapat mengakibatkan sengatan listrik, kebakaran, dan/atau cedera serius.

Simpanlah semua peringatan dan petunjuk untuk penggunaan di masa mendatang.

Istilah "perkakas listrik" dalam peringatan mengacu pada perkakas listrik yang dioperasikan dengan listrik (menggunakan kabel) atau perkakas listrik yang dioperasikan dengan baterai (tanpa kabel).

Keamanan tempat kerja

- ▶ **Jaga kebersihan dan pencahayaan area kerja.** Area yang berantakan atau gelap dapat memicu kecelakaan.
- ▶ **Jangan mengoperasikan perkakas listrik di lingkungan yang dapat memicu ledakan, seperti adanya cairan, gas, atau debu yang mudah terbakar.** Perkakas listrik dapat memancarkan bunga api yang kemudian mengakibatkan debu atau uap terbakar.
- ▶ **Jauhkan dari jangkauan anak-anak dan pengamat saat mengoperasikan perkakas listrik.** Gangguan dapat menyebabkan hilangnya kendali.

Keamanan listrik

- ▶ **Steker perkakas listrik harus sesuai dengan stopkontak. Jangan pernah memodifikasi steker. Jangan menggunakan steker adaptor bersama dengan perkakas listrik yang terhubung dengan sistem grounding.** Steker yang tidak dimodifikasi dan stopkontak yang cocok akan mengurangi risiko sengatan listrik.
- ▶ **Hindari kontak badan dengan permukaan yang terhubung dengan sistem grounding, seperti pipa, radiator, kompor, dan lemari es.** Terdapat peningkatan risiko terjadinya sengatan listrik jika badan Anda terhubung dengan sistem grounding.
- ▶ **Perkakas listrik tidak boleh terpapar hujan atau basah.** Air yang masuk ke dalam perkakas listrik menambah risiko terjadinya sengatan listrik.
- ▶ **Jangan menyalahgunakan kabel. Jangan gunakan kabel untuk membawa, menarik, atau melepas steker perkakas listrik. Jauhkan kabel dari panas, minyak, tepi yang tajam, atau komponen yang bergerak.** Kabel listrik yang rusak atau tersangkut menambah risiko terjadinya sengatan listrik.
- ▶ **Saat mengoperasikan perkakas listrik di luar ruangan, gunakan kabel ekstensi yang sesuai untuk penggunaan di luar ruangan.** Penggunaan kabel yang

cocok untuk pemakaian di luar ruangan mengurangi risiko terjadinya sengatan listrik.

- ▶ **Jika perkakas listrik memang harus dioperasikan di tempat yang lembap, gunakan pemutus arus listrik residu (RCD).** Penggunaan RCD akan mengurangi risiko terjadinya sengatan listrik.

Keselamatan personel

- ▶ **Tetap waspada, perhatikan aktivitas yang sedang dikerjakan dan gunakan akal sehat saat mengoperasikan perkakas listrik. Jangan gunakan perkakas listrik saat mengalami kelelahan atau di bawah pengaruh narkoba, alkohol, atau obat-obatan.** Jika perkakas listrik dioperasikan dengan daya konsentrasi yang rendah, hal tersebut dapat menyebabkan cedera serius.
- ▶ **Gunakan peralatan pelindung diri. Selalu kenakan pelindung mata.** Penggunaan perlengkapan pelindung seperti penutup telinga, helm, sepatu anti licin, dan masker debu akan mengurangi cedera.
- ▶ **Hindari start yang tidak disengaja. Pastikan switch berada di posisi off sebelum perkakas listrik dihubungkan ke sumber daya listrik dan/atau baterai, diangkat, atau dibawa.** Membawa perkakas listrik dengan jari menempel pada tombol atau perkakas listrik dalam keadaan hidup dapat memicu kecelakaan.
- ▶ **Singkirkan kunci penyatel atau kunci pas sebelum menghidupkan perkakas listrik.** Perkakas atau kunci pas yang masih menempel pada komponen perkakas listrik yang berputar dapat menyebabkan cedera.
- ▶ **Jangan melampaui batas. Berdirilah secara mantap dan selalu jaga keseimbangan.** Hal ini akan memberikan kontrol yang lebih baik terhadap perkakas listrik pada situasi yang tak terduga.
- ▶ **Kenakan pakaian dengan wajar. Jangan mengenakan perhiasan atau pakaian yang longgar. Jauhkan rambut dan pakaian dari komponen yang bergerak.** Pakaian yang longgar, rambut panjang, atau perhiasan dapat tersangkut dalam komponen yang bergerak.
- ▶ **Jika disediakan perangkat untuk sambungan pengisapan debu dan alat pengumpulan, pastikan perangkat tersebut terhubung dan digunakan dengan benar.** Penggunaan alat pengumpulan dapat mengurangi bahaya yang disebabkan oleh debu.
- ▶ **Jangan berpuas diri dan mengabaikan prinsip keselamatan karena terbiasa mengoperasikan perkakas.** Tindakan yang kurang hati-hati dapat mengakibatkan cedera serius dalam waktu sepersekian detik.

Penggunaan dan pemeliharaan perkakas listrik

- ▶ **Jangan memaksakan perkakas listrik. Gunakan perkakas listrik yang sesuai untuk pekerjaan yang dilakukan.** Perkakas listrik yang sesuai akan bekerja dengan lebih baik dan aman sesuai tujuan penggunaan.
- ▶ **Jangan gunakan perkakas listrik dengan switch yang tidak dapat dioperasikan.** Perkakas listrik yang

switchnya yang tidak berfungsi dapat menimbulkan bahaya dan harus diperbaiki.

- ▶ **Lepaskan steker dari sumber listrik dan/atau lepas baterai, jika dapat dilepaskan dari perkakas listrik sebelum menyatel, mengganti aksesoris, atau menyimpan perkakas listrik.** Tindakan preventif akan mengurangi risiko menghidupkan perkakas listrik secara tidak disengaja.
- ▶ **Jauhkan dan simpan perkakas listrik dari jangkauan anak-anak dan jangan biarkan orang-orang yang tidak mengetahui cara menggunakan perkakas listrik, mengoperasikan perkakas listrik.** Perkakas listrik dapat membahayakan jika digunakan oleh orang-orang yang tidak terlatih.
- ▶ **Lakukan pemeliharaan perkakas listrik dan aksesoris. Periksa komponen yang bergerak apabila tidak lurus atau terikat, kerusakan komponen, dan kondisi lain yang dapat mengganggu pengoperasian perkakas listrik. Apabila rusak, perbaiki perkakas listrik sebelum digunakan.** Kecelakaan sering terjadi karena perkakas listrik tidak dirawat dengan baik.
- ▶ **Jaga ketajaman dan kebersihan alat.** Alat pemotong dengan pisau pemotong yang tajam dan dirawat dengan baik tidak akan mudah tersangkut dan lebih mudah dikendalikan.
- ▶ **Gunakan perkakas listrik, aksesoris, dan komponen perkakas dll sesuai dengan petunjuk ini, dengan mempertimbangkan kondisi kerja dan pekerjaan yang akan dilakukan.** Penggunaan perkakas listrik untuk tujuan berbeda dari fungsinya dapat menyebabkan situasi yang berbahaya.
- ▶ **Jaga gagang dan permukaan genggam agar tetap kering, bersih, dan bebas dari minyak dan lemak.** Gagang dan permukaan genggam yang licin tidak menjamin keamanan kerja dan kontrol alat yang baik pada situasi yang tidak terduga.

Penggunaan dan pemeliharaan perkakas baterai

- ▶ **Isi ulang daya hanya dengan pengisi daya yang ditentukan oleh produsen.** Pengisi daya yang sesuai untuk satu jenis set baterai dapat menyebabkan risiko kebakaran apabila digunakan dengan set baterai lain.
- ▶ **Hanya gunakan perkakas listrik dengan set baterai yang dirancang khusus.** Penggunaan set baterai lain dapat menyebabkan risiko cedera dan kebakaran.
- ▶ **Apabila set baterai tidak digunakan, jauhkan dari benda logam lainnya, seperti klip kertas, koin, kunci, paku, sekrup, atau benda logam kecil lainnya yang dapat membuat sambungan dari satu terminal ke terminal lainnya.** Memendekkan terminal baterai dapat menyebabkan kebakaran atau api.
- ▶ **Cairan dapat keluar dari baterai jika baterai tidak digunakan dengan benar; hindari kontak. Jika terjadi kontak secara tidak disengaja, bilas dengan air. Jika cairan mengenai mata, segera hubungi bantuan medis.** Cairan yang keluar dari baterai dapat menyebabkan iritasi atau luka bakar.

- ▶ **Jangan gunakan set baterai atau perkakas yang rusak atau telah dimodifikasi.** Baterai yang rusak atau telah dimodifikasi dapat menimbulkan kejadian yang tak terduga seperti kebakaran, ledakan, atau risiko cedera.
- ▶ **Jangan meletakkan set baterai atau perkakas di dekat api atau suhu tinggi.** Paparan terhadap api atau suhu di atas 130 °C dapat memicu ledakan.
- ▶ **Ikuti semua petunjuk pengisian daya dan jangan mengisi daya set baterai atau perkakas di luar rentang suhu yang ditentukan dalam petunjuk.** Pengisian daya yang tidak tepat atau di luar rentang suhu yang ditentukan dapat merusak baterai dan meningkatkan risiko kebakaran.

Servis

- ▶ **Minta teknisi berkualifikasi untuk menyervis perkakas listrik dengan hanya menggunakan suku cadang yang identik.** Dengan demikian, hal ini akan memastikan keamanan perkakas listrik.
- ▶ **Jangan pernah melakukan servis pada baterai yang telah rusak.** Servis baterai hanya boleh dilakukan oleh produsen atau penyedia servis resmi.

Petunjuk keselamatan untuk alat potong

- ▶ **Perkakas listrik ini tidak sesuai untuk pengoperasian stasioner.** Perkakas listrik tidak boleh dipasang ke ragam atau dikencangkan ke meja kerja.
- ▶ **Gunakan sarung tangan pelindung saat bekerja.** Logam yang telah terpotong memiliki tepian yang tajam, yang dapat membuat Anda terluka.
- ▶ **Asap dapat keluar apabila terjadi kerusakan atau penggunaan yang tidak tepat pada baterai. Baterai dapat terbakar atau meledak.** Biarkan udara segar mengalir masuk dan kunjungi dokter apabila mengalami gangguan kesehatan. Asap tersebut dapat mengganggu saluran pernafasan.
- ▶ **Jangan membuka baterai.** Ada bahaya terjadinya korsleting.
- ▶ **Baterai dapat rusak akibat benda-benda lancip, seperti jarum, obeng, atau tekanan keras dari luar.** Hal ini dapat menyebabkan terjading hubungan singkat internal dan baterai dapat terbakar, berasap, meledak, atau mengalami panas berlebih.
- ▶ **Hanya gunakan baterai pada produk yang dibuat oleh produsen.** Hanya dengan cara ini, baterai dapat terlindung dari kelebihan muatan.



Lindungi baterai dari panas, misalnya juga dari paparan sinar matahari dalam waktu yang lama, api, kotoran, air dan kelembapan. Terdapat risiko ledakan dan korsleting.



Spesifikasi produk dan performa



Bacalah semua petunjuk keselamatan dan petunjuk penggunaan. Kesalahan dalam menjalankan petunjuk keselamatan dan petunjuk penggunaan dapat mengakibatkan kontak listrik, kebakaran, dan/atau luka-luka yang berat.

Perhatikan ilustrasi yang terdapat pada sisi sampul panduan pengoperasian.

Tujuan penggunaan

Perkakas listrik ini cocok untuk memotong pelat logam tanpa perubahan bentuk dan cocok untuk pemotongan lurus, pemotongan lurus, pembagian dan pemotongan melengkung.

Ilustrasi komponen

Nomor-nomor dari bagian-bagian perkakas pada gambar sesuai dengan gambar perkakas listrik pada halaman bergambar.

- (1) Baterai^{A)}
- (2) Tombol pelepas baterai^{A)}
- (3) Tombol on/off
- (4) Sekrup untuk holder cetakan logam
- (5) Gagang (permukaan genggam berisolator)
- (6) Ring-O
- (7) Dudukan dies
- (8) Plunger
- (9) Dies
- (10) Cincin karet pada sekrup tangan
- (11) Sekrup tangan untuk dies

A) **Aksesori yang ada pada gambar atau yang dijelaskan tidak termasuk dalam lingkup pengiriman standar. Semua aksesori yang ada dapat Anda lihat dalam program aksesori kami.**

Data teknis

Mesin pengerat	GNA 18V-16	
Nomor seri		3 601 E29 5..
Tegangan nominal	V=	18
Kecepatan pemotongan tanpa beban n_0	min^{-1}	1400
Ketebalan maks. pelat logam yang dapat dipotong ^{A)}	mm	1,6
Ketebalan pengerat	mm	5
Radius lengkungan terkecil	mm	40
Berat sesuai dengan EPTA-Procedure 01:2014	kg	2,2-3,0 ^{B)}
Suhu sekitar yang direkomendasikan saat pengisian daya	°C	0 ... +35

Mesin pengerat	GNA 18V-16	
Suhu sekitar yang diizinkan saat pengoperasian ^{C)} dan saat disimpan	°C	-20 ... +50
Baterai yang direkomendasikan		GBA 18V... ProCORE18V...
Perangkat pengisian daya yang direkomendasikan		GAL 18... GAX 18... GAL 36...

- A) Berdasarkan pelat baja hingga 400 N/mm²
 B) tergantung pada baterai yang digunakan
 C) daya terbatas pada suhu <0 °C

Cara memasang

Mengisi daya baterai

- ▶ **Hanya gunakan pengisi daya yang tercantum pada data teknis.** Hanya pengisi daya ini yang sesuai dengan baterai li-ion yang digunakan pada perkakas listrik Anda.

Catatan: Baterai dikirim dalam keadaan terisi sebagian. Untuk memastikan kinerja penuh baterai, isi penuh daya baterai ke pengisi daya sebelum menggunakannya untuk pertama kali.

Daya baterai li-ion dapat diisi setiap saat tanpa mengurangi masa pakainya. Penghentian proses pengisian daya tidak merusak baterai.

Baterai li-ion terlindung dari pengosongan daya total dengan "Electronic Cell Protection (ECP)". Jika baterai habis, perkakas listrik dimatikan oleh pengaman: Alat sisipan berhenti beroperasi.

- ▶ **Jangan menekan kembali tombol on/off jika perkakas listrik mati secara otomatis.** Baterai dapat rusak.



Melepaskan baterai

Baterai **(1)** memiliki dua level penguncian untuk mencegah baterai terlepas saat tombol pelepas baterai **(2)** ditekan secara tidak sengaja. Selama baterai berada di dalam perkakas listrik, baterai ditahan dalamudukannya dengan pegas.

Untuk melepas baterai **(1)**, tekan tombol pelepas baterai **(2)** dan keluarkan baterai dari perkakas listrik. **Jangan melepas baterai dengan paksa.**

Indikator level pengisian daya baterai

LED berwarna hijau dari indikator level pengisian daya baterai menampilkan level pengisian daya baterai. Atas dasar keselamatan, permintaan level pengisian daya baterai hanya dapat dilakukan saat perkakas listrik dalam keadaan berhenti.

Tekan tombol indikator level pengisian daya baterai  atau  untuk menampilkan level pengisian baterai. Hal ini juga dapat dilakukan saat baterai dilepas.

Apabila LED tidak menyala setelah menekan tombol indikator level pengisian daya, terdapat kerusakan pada baterai dan baterai harus diganti.

Tipe baterai GBA 18V...



LED	Kapasitas
Lampu permanen 3× hijau	60–100 %
Lampu permanen 2× hijau	30–60 %
Lampu permanen 1× hijau	5–30 %
Lampu berkedip 1× hijau	0–5 %

Tipe baterai ProCORE18V...



LED	Kapasitas
Lampu permanen 5× hijau	80–100 %
Lampu permanen 4× hijau	60–80 %
Lampu permanen 3× hijau	40–60 %
Lampu permanen 2× hijau	20–40 %
Lampu permanen 1× hijau	5–20 %
Lampu berkedip 1× hijau	0–5 %

Penggunaan

Cara penggunaan

Memasang baterai

Pasang baterai yang telah terisi daya **(1)** ke dalam kaki perkakas listrik hingga baterai terkunci dengan aman.

Menyalakan/mematikan

Untuk **menyalakan** perkakas listrik, geser tombol on/off **(3)** ke depan hingga muncul **I** pada switch.

Untuk **mematikan** perkakas listrik, geser tombol on/off **(3)** ke belakang hingga muncul **0** pada switch.

Mengubah arah pemotongan

Untuk mengubah arah pemotongan, putar kedudukan dies **(7)** ke tiga posisi yang tersedia, masing-masing 90°. Arah pemotongan ke belakang (ke arah housing) tidak dapat dilakukan.

Untuk memutar kedudukan dies **(7)**, kendurkan sekrup **(4)** hingga kedudukan dies dapat diputar. Putar sekitar 90° ke sumbu longitudinal perkakas listrik ke arah kanan atau ke kiri.

Pastikan sekrup **(4)** benar-benar telah masuk pada lubang kedudukan dies **(7)**. Kencangkan sekrup.

Petunjuk pengoperasian

- ▶ **Sebelum melakukan semua pekerjaan pada perkakas listrik (misalnya merawat, mengganti alat kerja, dsb.) serta selama transpor dan penyimpanan, keluarkanlah baterai dari perkakas listrik.** Terdapat risiko cedera

apabila tombol untuk menghidupkan dan mematikan dioperasikan tanpa sengaja.

- ▶ **Perkakas listrik ini tidak sesuai untuk pengoperasian stasioner.** Perkakas listrik tidak boleh dipasang ke ragum atau dikencangkan ke meja kerja.
- ▶ **Gunakan sarung tangan pelindung saat bekerja.** Logam yang telah terpotong memiliki tepian yang tajam, yang dapat membuat Anda terluka.
- ▶ **Hati-hati saat memegang chip pemotong.** Chip yang berbentuk sabit mempunyai ujung yang sangat tajam, yang dapat melukai pengguna.

Hanya arahkan perkakas listrik ke benda kerja saat perkakas dinyalakan. Usahakanlah supaya posisi perkakas listrik selalu tegak lurus terhadap permukaan pelat logam dan jangan memiringkannya.

Pemotongan terjadi saat plunger sedang bergerak ke bawah. Arahkan perkakas listrik secara merata dan dengan dorongan ringan ke arah pemotongan. Dorongan yang terlalu kuat akan sangat mengurangi masa pakai alat sispian dan dapat merusak perkakas listrik.

Perkakas listrik bekerja lebih tenang jika perkakas listrik agak diangkat selama memotong. Jika plunger terjepit saat terpotong, matikan perkakas listrik, lumasi plunger dan renggangkan pelat. Jangan melakukannya dengan paksaan, karena plunger dan dies dapat menjadi rusak.

Ketebalan maksimal pelat logam yang dapat dipotong

Ketebalan maksimal pelat logam d_{max} yang dapat dipotong bergantung pada kekuatan material yang akan dikerjakan. Dengan perkakas listrik ini, pelat logam dengan ketebalan maksimal berikut dapat dipotong:

Material	Kekuatan maks. (N/mm ²)	d_{max} (mm)
Baja	400	1,6
	600	1,0
	800	0,7
Aluminium	200	2,0

Melumasi/mendinginkan plunger

Gunakan pelumas dengan fungsi pendingin yang baik (misalnya oli pemotongan) untuk memperpanjang masa pakai plunger (8).

Beri pelumas pada bagian atas pelat di sepanjang garis pemotongan yang direncanakan.

Memotong sesuai goresan atau dengan template

Pemotongan lurus lebih mudah dilakukan jika perkakas listrik digerakkan sepanjang mistar.

Berbagai bentuk dapat dipotong dengan menggerakkan perkakas listrik sepanjang template.

Untuk pembagian dalam, diperlukan pra-pengeboran dengan diameter 21 mm.

Perlindungan kelebihan beban yang bergantung suhu

Jika perkakas listrik digunakan sebagaimana mestinya, perkakas listrik tidak akan mengalami kelebihan beban. Pada saat alat kelebihan beban atau suhu baterai melebihi batas

yang diizinkan, kecepatan akan berkurang atau perkakas listrik akan mati. Saat kecepatan berkurang, perkakas listrik akan kembali bekerja dengan kecepatan penuh setelah mencapai suhu baterai yang diizinkan. Anda dapat mematikan perkakas listrik untuk mendinginkan baterai dan menyalakan kembali perkakas listrik dengan penonaktifan daya otomatis.

Petunjuk untuk penanganan baterai yang optimal

Lindungilah baterai dari kelembapan dan air.

Simpan baterai hanya pada rentang suhu antara -20 °C hingga 50 °C. Janganlah meletakkan baterai di dalam mobil, misalnya pada musim panas.

Bersihkanlah lubang ventilasi baterai dengan kuas yang lunak, bersih dan kering secara berkala.

Waktu pengoperasian yang berkurang secara signifikan setelah pengisian daya menunjukkan bahwa baterai telah habis dan perlu diganti.

Perhatikan petunjuk untuk membuang.

Perawatan dan servis

Perawatan dan pembersihan

- ▶ **Sebelum melakukan semua pekerjaan pada perkakas listrik (misalnya merawat, mengganti alat kerja, dsb.) serta selama transpor dan penyimpanan, keluarkanlah baterai dari perkakas listrik.** Terdapat risiko cedera apabila tombol untuk menghidupkan dan mematikan dioperasikan tanpa sengaja.
- ▶ **Perkakas listrik dan lubang ventilasi harus selalu dibersihkan agar perkakas dapat digunakan dengan baik dan aman.**

Setiap 3 jam pengoperasian, bersihkan dan lumasi plunger (8) dan dies (9).

Ganti plunger dan dies tepat pada waktunya untuk menghindari keausan karena hanya peralatan yang tajam yang dapat menghasilkan pemotongan yang bagus dan melindungi perkakas listrik.

Plunger (8) dan dies (9) tidak boleh diasah kembali.

Mengganti dies

Lepaskan sekrup tangan (11) dari dudukan dies (7). Lepaskan dies (9).

Bersihkan dudukan dies (7). Letakkan sebuah dies (9) baru yang telah dilumasi dengan baik pada dudukan dies. Perhatikan orientasi dari sisi yang datar.

Kencangkan kembali sekrup tangan (11) dengan cincin karet (10) yang disediakan. Kencangkan sekrup dengan bantuan kunci L untuk melawan daya tahan cincin karet (3-4 Nm).

Mengganti plunger

Kendurkan sekrup (4) pada dudukan dies dan tarik dudukan dies (7) sepenuhnya dari housing.

Dorong plunger (8) secara menyamping dariudukannya dan tarik ke bawah.

Letakkan plunger **(8)** baru yang telah dilumasi dengan baik ke dalam slotudukan dan arahkan ke tengah.

Dorong dudukan dies **(7)** secara hati-hati melewati plunger kembali ke housing. Putar dudukan dies menyesuaikan arah pemotongan yang diinginkan ke salah satu dari tiga posisi pilihan yang ada. Cangkang sekrup **(4)** pada dudukan dies dengan baik.

Layanan pelanggan dan konsultasi penggunaan

Layanan pelanggan Bosch menjawab semua pertanyaan Anda tentang reparasi dan perawatan serta tentang suku cadang produk ini. Gambaran teknis (exploded view) dan informasi mengenai suku cadang dapat ditemukan di:

www.bosch-pt.com

Tim konsultasi penggunaan Bosch akan membantu Anda menjawab pertanyaan seputar produk kami beserta aksesorinya.

Jika Anda hendak menanyakan sesuatu atau memesan suku cadang, selalu sebutkan nomor model yang terdiri dari 10 angka dan tercantum pada label tipe produk.

Indonesia

PT Robert Bosch
Palma Tower 10th Floor
Jalan RA Kartini II-S Kaveling 6
Pondok Pinang, Kebayoran Lama
Jakarta Selatan 12310
Tel.: (021) 3005 5800
Fax: (021) 3005 5801
E-Mail: boschpowertools@id.bosch.com
www.bosch-pt.co.id

Transpor

Pada baterai-baterai li-ion yang digunakan diterapkan persyaratan terkait peraturan-peraturan tentang bahan-bahan yang berbahaya. Baterai-baterai dapat diangkut oleh penggunanya tanpa pembatasan lebih lanjut di jalan.

Pada pengiriman oleh pihak ketiga (misalnya transportasi udara atau perusahaan ekspedisi) harus ditaati syarat-syarat terkait kemasan dan pemberian tanda. Dalam hal ini, diperlukan konsultasi dengan ahli bahan-bahan berbahaya saat mengatur barang pengiriman.

Kirimkan baterai hanya jika housing-nya tidak rusak. Tutup bagian-bagian yang terbuka dan kemas baterai agar tidak bergerak-gerak di dalam kemasan. Taatilah peraturan-peraturan nasional lainnya yang mungkin lebih rinci yang berlaku di negara Anda.

Cara membuang



Perkakas listrik, baterai, aksesoris dan kemasan harus didaur ulang dengan cara yang ramah lingkungan.



Jangan membuang perkakas listrik, aki/baterai ke dalam sampah rumah tangga!

Baterai:
Li-ion:

Perhatikanlah petunjuk-petunjuk dalam bab Transpor (lihat „Transpor“, Halaman 34).

Tiếng Việt

Hướng dẫn an toàn

Hướng dẫn an toàn chung cho dụng cụ điện

⚠ CẢNH BÁO Hãy đọc toàn bộ các cảnh báo an toàn, hướng dẫn, hình ảnh và thông số kỹ thuật được cung cấp cho dụng cụ điện cầm tay này. Không tuân thủ mọi hướng dẫn được liệt kê dưới đây có thể bị điện giật, gây cháy và /hay bị thương tật nghiêm trọng. **Hãy giữ tất cả tài liệu về cảnh báo và hướng dẫn để tham khảo về sau.**

Thuật ngữ "dụng cụ điện cầm tay" trong phần cảnh báo là đề cập đến sự sử dụng dụng cụ điện cầm tay của bạn, loại sử dụng điện nguồn (có dây cắm điện) hay vận hành bằng pin (không dây cắm điện).

Khu vực làm việc an toàn

- ▶ **Giữ nơi làm việc sạch và đủ ánh sáng.** Nơi làm việc bừa bộn và tối tăm dễ gây ra tai nạn.
- ▶ **Không vận hành dụng cụ điện cầm tay trong môi trường dễ gây nổ, chẳng hạn như nơi có chất lỏng dễ cháy, khí đốt hay rác.** Dụng cụ điện cầm tay tạo ra các tia lửa nên có thể làm rác bén cháy hay bốc khói.
- ▶ **Không để trẻ em hay người đến xem đứng gần khi vận hành dụng cụ điện cầm tay.** Sự phân tâm có thể gây ra sự mất điều khiển.

An toàn về điện

- ▶ **Phích cắm của dụng cụ điện cầm tay phải thích hợp với ổ cắm. Không bao giờ được cải biến lại phích cắm dưới mọi hình thức. Không được sử dụng phích tiếp hợp nối tiếp đất (dây mát).** Phích cắm nguyên bản và ổ cắm đúng loại sẽ làm giảm nguy cơ bị điện giật.
- ▶ **Tránh không để thân thể tiếp xúc với đất hay các vật có bề mặt tiếp đất như đường ống, lò sưởi, hàng rào và tủ lạnh.** Có nhiều nguy cơ bị điện giật hơn nếu cơ thể bạn bị tiếp hay nối đất.
- ▶ **Không được để dụng cụ điện cầm tay ngoài mưa hay ở tình trạng ẩm ướt.** Nước vào máy sẽ làm tăng nguy cơ bị điện giật.
- ▶ **Không được lạm dụng dây dẫn điện. Không bao giờ được nắm dây dẫn để xách, kéo hay rút phích cắm dụng cụ điện cầm tay. Không để dây gần nơi có nhiệt độ cao, dầu nhớt, vật nhọn bén và bộ phận chuyển động.** Làm hỏng hay cuộn rối dây dẫn làm tăng nguy cơ bị điện giật.

- ▶ **Khi sử dụng dụng cụ điện cầm tay ngoài trời, dùng dây nối thích hợp cho việc sử dụng ngoài trời.** Sử dụng dây nối thích hợp cho việc sử dụng ngoài trời làm giảm nguy cơ bị điện giật.
- ▶ **Nếu việc sử dụng dụng cụ điện cầm tay ở nơi ẩm ướt là không thể tránh được, dùng thiết bị ngắt mạch tự động (RCD) bảo vệ nguồn.** Sử dụng thiết bị ngắt mạch tự động RCD làm giảm nguy cơ bị điện giật.

An toàn cá nhân

- ▶ **Hãy tỉnh táo, biết rõ mình đang làm gì và hãy sử dụng ý thức khi vận hành dụng cụ điện cầm tay.** Không sử dụng dụng cụ điện cầm tay khi đang mệt mỏi hay đang bị tác động do chất gây nghiện, rượu hay được phẩm gây ra. Một thoáng mất tập trung khi đang vận hành dụng cụ điện cầm tay có thể gây thương tích nghiêm trọng cho bản thân.
- ▶ **Sử dụng trang bị bảo hộ cá nhân.** Luôn luôn đeo kính bảo vệ mắt. Trang bị bảo hộ như khẩu trang, giày chống trượt, nón bảo hộ, hay dụng cụ bảo vệ tai khi được sử dụng đúng nơi đúng chỗ sẽ làm giảm nguy cơ thương tật cho bản thân.
- ▶ **Phòng tránh máy khởi động bất ngờ.** Bảo đảm công tắc máy ở vị trí tắt trước khi cắm vào nguồn điện và/hay lắp pin vào, khi nhấn máy lên hay khi mang xách máy. Ngáng ngón tay vào công tắc máy để xách hay kích hoạt dụng cụ điện cầm tay khi công tắc ở vị trí mở dễ dẫn đến tai nạn.
- ▶ **Lấy mọi chìa hay khóa điều chỉnh ra trước khi mở điện dụng cụ điện cầm tay.** Khóa hay chìa còn gắn dính vào bộ phận quay của dụng cụ điện cầm tay có thể gây thương tích cho bản thân.
- ▶ **Không rướn người.** Luôn luôn giữ tư thế đứng thích hợp và thăng bằng. Điều này tạo cho việc điều khiển dụng cụ điện cầm tay tốt hơn trong mọi tình huống bất ngờ.
- ▶ **Trang phục thích hợp.** Không mặc quần áo rộng lủng thùng hay mang trang sức. Giữ tóc và quần áo xa khỏi các bộ phận chuyển động. Quần áo rộng lủng thùng, đồ trang sức hay tóc dài có thể bị cuốn vào các bộ phận chuyển động.
- ▶ **Nếu có các thiết bị đi kèm để nối máy hút bụi và các phụ kiện khác, bảo đảm các thiết bị này được nối và sử dụng tốt.** Việc sử dụng các thiết bị gom hút bụi có thể làm giảm các độc hại liên quan đến bụi gây ra.
- ▶ **Không để thói quen do sử dụng thường xuyên dụng cụ khiến bạn trở nên chủ quan và bỏ qua các quy định an toàn dụng cụ.** Một hành vi bất cẩn có thể gây ra thương tích nghiêm trọng chỉ trong tích tắc.

Sử dụng và bảo dưỡng dụng cụ điện cầm tay

- ▶ **Không được ép máy.** Sử dụng dụng cụ điện cầm tay đúng loại theo đúng ứng dụng của bạn. Dụng cụ điện cầm tay đúng chức năng sẽ làm việc tốt và an toàn hơn theo đúng tiến độ mà máy được thiết kế.
- ▶ **Không sử dụng dụng cụ điện cầm tay nếu như công tắc không tắt và mở được.** Bất kỳ dụng cụ điện cầm tay nào mà không thể điều khiển được bằng công tắc là nguy hiểm và phải được sửa chữa.
- ▶ **Rút phích cắm ra khỏi nguồn điện và/hay pin ra khỏi dụng cụ điện cầm tay nếu có thể tháo được, trước khi tiến hành bất kỳ điều chỉnh nào, thay phụ kiện, hay cất kỹ dụng cụ điện cầm tay.** Các biện pháp ngăn ngừa như vậy làm giảm nguy cơ dụng cụ điện cầm tay khởi động bất ngờ.
- ▶ **Cất giữ dụng cụ điện cầm tay không dùng tới nơi trẻ em không lấy được và không cho người chưa từng biết dụng cụ điện cầm tay hay các hướng dẫn này sử dụng dụng cụ điện cầm tay.** Dụng cụ điện cầm tay nguy hiểm khi ở trong tay người chưa được chỉ cách sử dụng.
- ▶ **Bảo quản dụng cụ điện cầm tay và các phụ kiện.** Kiểm tra xem các bộ phận chuyển động có bị sai lệch hay kẹt, các bộ phận bị rạn nứt và các tình trạng khác có thể ảnh hưởng đến sự vận hành của máy. Nếu bị hư hỏng, phải sửa chữa máy trước khi sử dụng. Nhiều tai nạn xảy ra do bảo quản dụng cụ điện cầm tay tồi.
- ▶ **Giữ các dụng cụ cắt bén và sạch.** Bảo quản đúng cách các dụng cụ cắt có cạnh cắt bén làm giảm khả năng bị kẹt và dễ điều khiển hơn.
- ▶ **Sử dụng dụng cụ điện cầm tay, phụ kiện, đầu cài v. v., đúng theo các chỉ dẫn này, hãy lưu ý đến điều kiện làm việc và công việc phải thực hiện.** Sự sử dụng dụng cụ điện cầm tay khác với mục đích thiết kế có thể tạo nên tình huống nguy hiểm.
- ▶ **Giữ tay cầm và bề mặt nắm luôn khô ráo, sạch sẽ và không dính dầu mỡ.** Tay cầm và bề mặt nắm trơn trượt không đem lại thao tác an toàn và kiểm soát dụng cụ trong các tình huống bất ngờ.

Sử dụng và bảo quản dụng cụ dùng pin

- ▶ **Chỉ được sạc pin lại với bộ nạp điện do nhà sản xuất chỉ định.** Bộ nạp điện thích hợp cho một loại pin có thể gây nguy cơ cháy khi sử dụng cho một loại pin khác.
- ▶ **Chỉ sử dụng dụng cụ điện cầm tay với loại pin được thiết kế đặc biệt dành riêng cho máy.** Sử dụng bất cứ loại pin khác có thể dẫn đến thương tật hay cháy.

- ▶ **Khi không sử dụng pin, để cách xa các vật bằng kim loại như kẹp giấy, tiền xu, chìa khoá, đinh, ốc vít hay các đồ vật kim loại nhỏ khác, thứ có thể tạo sự nối tiếp từ một đầu cực với một đầu cực khác.** Sự chập mạch của các đầu cực với nhau có thể gây bỏng hay cháy.
- ▶ **Bảo quản ở tình trạng tối, dung dịch từ pin có thể tửa ra; tránh tiếp xúc. Nếu vô tình chạm phải, hãy xối nước để rửa. Nếu dung dịch vào mắt, cần thêm sự hỗ trợ của y tế.** Dung dịch tiết ra từ pin có thể gây ngứa hay bỏng.
- ▶ **Không được sử dụng bộ pin hoặc dụng cụ đã bị hư hại hoặc bị thay đổi.** Pin hỏng hoặc bị thay đổi có thể gây ra những tác động không lường trước được như cháy nổ hoặc nguy cơ thương tích.
- ▶ **Không đặt bộ pin hoặc dụng cụ ở gần lửa hoặc nơi quá nhiệt.** Tiếp xúc với lửa hoặc nhiệt độ cao trên 130°C có thể gây nổ.
- ▶ **Tuân thủ tất cả các hướng dẫn nạp và không nạp bộ pin hay dụng cụ ở bên ngoài phạm vi nhiệt độ đã được quy định trong các hướng dẫn.** Nạp không đúng cách hoặc ở nhiệt độ ngoài phạm vi nạp đã quy định có thể làm hư hại pin và gia tăng nguy cơ cháy.

Bảo dưỡng

- ▶ **Đưa dụng cụ điện cầm tay của bạn đến thợ chuyên môn để bảo dưỡng, chỉ sử dụng phụ tùng đúng chủng loại để thay.** Điều này sẽ đảm bảo sự an toàn của máy được giữ nguyên.
- ▶ **Không bao giờ sửa chữa các bộ pin đã hư hại.** Chỉ cho phép nhà sản xuất hoặc các nhà cung cấp dịch vụ có ủy quyền thực hiện dịch vụ sửa chữa cho các bộ pin.

Các chỉ dẫn an toàn cho con chuột

- ▶ **Dụng cụ điện không phù hợp cho vận hành tĩnh.** Không được phép kẹp vào một ê-tô hoặc gắn trên một bàn máy.
- ▶ **Hãy đeo gang tay bảo vệ khi làm việc.** Trên các tấm tôn đã cắt có các gờ sắc, mà có thể làm bạn bị thương.
- ▶ **Trong trường hợp pin bị hỏng hay sử dụng sai cách, hơi nước có thể bốc ra. Pin có thể cháy hoặc nổ.** Hãy làm cho thông thoáng khí và trong trường hợp bị đau phải nhờ y tế chữa trị. Hơi nước có thể gây ngứa hệ hô hấp.
- ▶ **Không được tháo pin ra.** Nguy cơ bị chập mạch.
- ▶ **Pin có thể bị hư hại bởi các vật dụng nhọn như đinh hay tuốc-nơ-vít hoặc bởi các tác động lực từ bên ngoài.** Nó có thể dẫn tới đoạn mạch nội bộ và làm pin bị cháy, bốc khói, phát nổ hoặc quá nóng.
- ▶ **Chỉ sử dụng pin trong các sản phẩm của nhà sản xuất.** Chỉ bằng cách này, pin sẽ được bảo vệ tránh nguy cơ quá tải.



Bảo vệ pin không để bị làm nóng, ví dụ, chống để lâu dài dưới ánh nắng gay gắt, lửa, chất bẩn, nước, và sự ẩm ướt. Có nguy cơ nổ và chập mạch.

Mô Tả Sản Phẩm và Đặc Tính Kỹ Thuật



Đọc kỹ mọi cảnh báo an toàn và mọi hướng dẫn. Không tuân thủ mọi cảnh báo và hướng dẫn được liệt kê dưới đây có thể bị điện giật, gây cháy và / hay bị thương tật nghiêm trọng.

Xin lưu ý các hình minh họa trong phần trước của hướng dẫn vận hành.

Sử dụng đúng cách

Máy được thiết kế dùng để cắt kim loại tấm mà không làm biến dạng vật liệu, và thích hợp cho cách cắt thẳng đường, cắt thành đoạn và các đường cong hẹp.

Các bộ phận được minh họa

Sự đánh số các biểu trưng của sản phẩm là để tham khảo hình minh họa của máy trên trang hình ảnh.

- (1) Pin^{A)}
 - (2) Núm tháo pin^{A)}
 - (3) Công tắc bật/tắt
 - (4) Vít của ụ ren
 - (5) Tay nắm (bề mặt nắm cách điện)
 - (6) Vòng chữ O
 - (7) Phần lắp khuôn rập
 - (8) Mũi đột dập
 - (9) Khuôn rập
 - (10) Vòng cao su của vít đầu có khóa
 - (11) Vít đầu có khóa của bàn ren
- A) **Phụ tùng được trình bày hay mô tả không phải là một phần của tiêu chuẩn hàng hóa được giao kèm theo sản phẩm.** Bạn có thể tham khảo tổng thể các loại phụ tùng, phụ kiện trong chương trình phụ tùng của chúng tôi.

Thông số kỹ thuật

Máy Cắt Gập	GNA 18V-16	
Mã số máy		3 601 E29 5..
Điện thế danh định	V=	18
Tần suất nhịp chạy không tải n_0	min ⁻¹	1400
Công suất cắt thép tấm tối đa ^{A)}	mm	1,6
Bề rộng đường cắt	mm	5

Máy Cắt Gặm		GBA 18V-16
Bán kính đường cong nhỏ nhất	mm	40
Trọng lượng theo Quy trình EPTA-Procedure 01:2014	kg	2,2–3,0 ^{B)}
Nhiệt độ môi trường được khuyến nghị khi sạc	°C	0 ... +35
Nhiệt độ môi trường cho phép trong quá trình vận hành ^{C)} và trong quá trình lưu trữ	°C	-20 ... +50
Pin được khuyến dùng		GBA 18V... ProCORE18V...
Thiết bị nạp được giới thiệu		GAL 18... GAX 18... GAL 36...

A) liên quan đến thép tấm đến 400 N/mm²

B) tùy vào loại pin lốc đang sử dụng

C) hiệu suất giới hạn ở nhiệt độ <0 °C

Sự lắp vào

Tháo pin

► **Chỉ sử dụng bộ sạc được đề cập trong dữ liệu kỹ thuật.** Chỉ những bộ sạc này phù hợp cho dụng cụ điện cầm tay của bạn có sử dụng pin Li-Ion.

Hướng dẫn: Pin đã được sạc một phần. Để bảo đảm đầy đủ điện dung, nạp điện hoàn toàn lại cho pin trong bộ nạp điện pin trước khi sử dụng cho lần đầu tiên.

Pin Li-Ion hợp khối có thể nạp điện bất cứ lúc nào mà không làm giảm tuổi thọ của pin. Sự gián đoạn trong quá trình nạp điện không làm hư hại pin hợp khối.

Pin Li-Ion được bảo vệ ngăn sự phóng điện quá lớn nhờ vào "Electronic Cell Protection (ECP)". Nếu pin bị phóng điện, dụng cụ điện cầm tay sẽ được ngắt bởi một mạch bảo vệ: Dụng cụ điện không chuyển động nữa.

► **Có nguy cơ gây thương tích khi vô tình làm kích hoạt công tắc Tắt/Mở.** Pin có thể bị hỏng.

Tháo pin ra

Pin (1) có hai giai đoạn khóa để ngăn không cho pin bị rơi ra khi vô tình bấm phải nút tháo pin (2). Cứ khi nào pin còn được lắp trong dụng cụ điện, nó vẫn được giữ nguyên vị trí nhờ vào một lò xo.

Để tháo pin (1) bạn hãy ấn nút mở pin (2) và đẩy pin ra khỏi dụng cụ điện cầm tay. **Không dùng sức.**

Đèn báo trạng thái nạp pin

Các đèn LED màu xanh của màn hình hiển thị tình trạng sạc pin chỉ ra tình trạng sạc của pin. Vì lý do an toàn, ta chỉ có thể kiểm tra trạng thái của tình trạng nạp điện khi máy đã ngừng hoạt động hoàn toàn.

Để hiển thị tình trạng nạp, bạn hãy nhấn nút để hiển thị mức sạc ☺ hoặc ☹. Điều này cũng có thể thực hiện khi ắc quy được tháo ra.

Đèn LED không sáng sau khi nhấn nút để hiển thị mức sạc có nghĩa là pin bị hỏng và phải được thay thế.

Kiểu pin GBA 18V...



Đèn LED	Điện dung
Đèn sáng liên tục 3× xanh lục	60–100 %
Đèn sáng liên tục 2× xanh lục	30–60 %
Đèn sáng liên tục 1× xanh lục	5–30 %
Đèn xi nhan 1× xanh lục	0–5 %

Kiểu pin ProCORE18V...



Đèn LED	Điện dung
Đèn sáng liên tục 5× xanh lục	80–100 %
Đèn sáng liên tục 4× xanh lục	60–80 %
Đèn sáng liên tục 3× xanh lục	40–60 %
Đèn sáng liên tục 2× xanh lục	20–40 %
Đèn sáng liên tục 1× xanh lục	5–20 %
Đèn xi nhan 1× xanh lục	0–5 %

Vận Hành

Bắt Đầu Vận Hành

Tháo pin

Hãy đẩy pin đã sạc (1) vào chân của dụng cụ điện cầm tay, cho đến khi pin được khóa an toàn.

Bật/tắt

Để **bật** dụng cụ điện hãy đẩy công tắc bật/tắt (3) ra trước, để trên công tắc I xuất hiện.

Để **tắt** dụng cụ điện hãy đẩy công tắc bật/tắt (3) lên trên, để trên công tắc 0 xuất hiện.

Chuyển hướng cắt

Để thay đổi hướng cắt bạn có thể vặn ụ ren (7) vào ba vị trí dịch chuyển 90°. Không thể thực hiện hướng cắt ra phía sau (hướng vào vỏ bọc).

Để xoay ụ ren (7) hãy nới lỏng vít (4) sao cho bạn có thể xoay ụ ren. Hãy xoay 90° so với trục dọc của dụng cụ điện sang bên phải hoặc trái.

Đảm bảo rằng vít được kẹp vào (4) lỗ khoan tại ụ ren (7). Siết chặt vít.

Hướng Dẫn Sử Dụng

- ▶ **Trước khi tiến hành bất cứ công việc gì với máy (ví dụ bảo dưỡng, thay dụng cụ v.v..) cũng như khi vận chuyển hay lưu kho, tháo pin ra khỏi dụng cụ điện.** Có nguy cơ gây thương tích khi vô tình làm kích hoạt công tắc Tắt/Mở.
- ▶ **Dụng cụ điện không phù hợp cho vận hành tĩnh.** Không được phép kẹp vào một ê-tô hoặc gắn trên một bàn máy.
- ▶ **Hãy đeo gang tay bảo vệ khi làm việc.** Trên các tấm tôn đã cắt có các gờ sắc, mà có thể làm bạn bị thương.
- ▶ **Cẩn thận khi xử lý vỏ bào.** Các phoi cắt có đầu nhọn có thể gây thương tích.

Chỉ cho máy gia công vật liệu khi máy đã hoạt động. Luôn luôn giữ máy thẳng đứng so với bề mặt của tấm thép và không làm tấm thép bị oằn hay nghiêng.

Sự cắt diễn ra trong quá trình chuyển động xuống của mũi đột dập. Đẩy máy đều tay và cho nạp tải vừa phải đi theo chiều cắt. Sự nạp tải quá mức làm giảm đáng kể tuổi thọ của dụng cụ cắt và có thể làm hư hỏng máy.

Máy vận hành ít gây ồn hơn khi ta nâng máy cao lên một chút trong khi cắt. Nếu giả như mũi đột dập bị chèn chặt trong khi cắt, tắt máy ngay, bôi trơn lại mũi đột dập và giải phóng sự căng kéo của tấm thép. Không được dùng sức mạnh, nếu không, mũi đột dập và khuôn dập sẽ bị hư hỏng.

Công suất cắt thép tấm tối đa

Công suất cắt thép tấm tối đa d_{max} phụ thuộc vào độ bền của vật liệu cần gia công.

Máy cho phép gia công cắt kim loại tấm có độ dày như sau:

Nguyên liệu	độ bền tối đa (N/mm ²)	d_{max} (mm)
Thép	400	1,6
	600	1,0
	800	0,7
Nhôm	200	2,0

Bôi trơn/làm nguội mũi đột dập

Để kéo dài tuổi thọ của khuôn dập (8) bạn cần sử dụng chất bôi trơn có chức năng làm mát tốt (ví dụ dầu cắt gọt).

Hãy thoa một vệt chất bôi trơn lên mặt trên của tấm thép dọc đường cắt dự kiến.

Cắt dọc theo Vạch Cắt hay sử dụng Đường

Đường cắt thẳng được thực hiện dễ dàng hơn khi máy được kẹp vào thước để gia công.

Có thể cắt vòng quanh biên bằng cách cho máy chạy cập theo khuôn đường.

Để cắt bên trong, cần khoan trước đường kính 21 mm.

Bảo vệ chống quá tải dựa trên nhiệt độ

Trong quá trình sử dụng sắp tới, không được để dụng cụ điện bị quá tải. Khi trọng tải quá nặng hoặc vượt qua phạm vi nhiệt độ pin cho phép, tốc độ hành trình sẽ giảm hoặc dụng cụ điện bị tắt. Khi tốc độ hành trình giảm, dụng cụ điện chỉ chạy với tốc độ hành trình tối đa sau khi đạt nhiệt độ pin cho phép. Với việc tự ngắt, hãy tắt dụng cụ điện, để pin nguội và bật lại dụng cụ điện lần nữa.

Các Khuyến Nghị về Cách Bảo Dưỡng Tốt Nhất cho Pin

Bảo vệ pin hợp khối tránh sự ẩm ướt và nước.

Chỉ bảo quản pin trong tầm nhiệt độ nằm giữa -20 °C và 50 °C. Không để pin trong ô tô vào mùa hè.

Thỉnh thoảng làm sạch các khe thông gió của pin bằng cách dùng một cái cọ khô, mềm và sạch.

Sự giảm sút đáng kể thời gian hoạt động sau khi nạp điện chỉ rõ rằng pin hợp khối đã hết công dụng và phải được thay.

Quy trình hoạt động được chia ra làm hai giai đoạn.

Bảo Dưỡng và Bảo Quản

Bảo Dưỡng Và Làm Sạch

- ▶ **Trước khi tiến hành bất cứ công việc gì với máy (ví dụ bảo dưỡng, thay dụng cụ v.v..) cũng như khi vận chuyển hay lưu kho, tháo pin ra khỏi dụng cụ điện.** Có nguy cơ gây thương tích khi vô tình làm kích hoạt công tắc Tắt/Mở.
- ▶ **Để được an toàn và máy hoạt động đúng chức năng, luôn luôn giữ máy và các khe thông gió được sạch.**

Làm sạch và bôi dầu cho mũi đột dập (8) và khuôn dập (9) cứ 3 giờ vận hành một lần.

Hãy thay mũi đột dập và khuôn dập đã mòn vào đúng thời điểm, bởi vì chỉ dụng cụ sắc bén mới tạo ra chất lượng cắt tốt và làm tăng tuổi thọ của máy. Không mài lại mũi đột dập (8) và khuôn dập (9).

Thay khuôn dập

Hãy vặn vít đầu có khóa (11) ra khỏi ụ ren (7). Hãy tháo bản ren (9).

Vệ sinh ụ ren nếu cần (7). Hãy đặt một bản ren mới được bôi dầu (9) vào ụ ren. Đảm bảo căn chỉnh mặt dẹt.

Hãy siết vít đầu có khóa (11) bằng vòng cao su (10). Hãy siết chặt vít bằng một chìa khóa lục giác ngược với điểm kháng của vòng cao su (3–4 Nm).

Thay mũi đột dập

Hãy nới lỏng vít (4) của ụ ren và kéo ụ ren (7) ra khỏi vỏ bọc.

Hãy đẩy khuôn dập (8) ra khỏi khe và kéo nó xuống dưới.

Hãy đặt một khuôn dập mới được bôi dầu (8) vào rãnh lắp và căn chỉnh vào giữa.

Hãy đẩy ụ ren (7) qua khuôn dập vào trong vỏ bọc.

Hãy xoay ụ ren vào một trong ba vị trí có thể tùy theo hướng cắt mong muốn. Hãy siết chặt vít (4) của ụ ren.

Dịch vụ hỗ trợ khách hàng và tư vấn sử dụng

Bộ phận phục vụ hàng sau khi bán của chúng tôi trả lời các câu hỏi liên quan đến việc bảo dưỡng và sửa chữa các sản phẩm cũng như phụ tùng thay thế của bạn. Sơ đồ mô tả và thông tin về phụ tùng thay thế cũng có thể tra cứu theo dưới đây:

www.bosch-pt.com

Đội ngũ tư vấn sử dụng của Bosch sẽ giúp bạn giải đáp các thắc mắc về sản phẩm và phụ kiện.

Trong tất cả các phản hồi và đơn đặt phụ tùng, xin vui lòng luôn luôn nhập số hàng hóa 10 chữ số theo nhãn của hàng hóa.

Việt Nam

CN CÔNG TY TNHH BOSCH VIỆT NAM TẠI TP.HCM

Tầng 14, Ngôi Nhà Đức, 33 Lê Duẩn
Phường Bến Nghé, Quận 1, Thành Phố Hồ Chí Minh

Tel.: (028) 6258 3690

Fax: (028) 6258 3692 - 6258 3694

Hotline: (028) 6250 8555

Email: tuvankhachhang-pt@vn.bosch.com

www.bosch-pt.com.vn

www.baohanhbosch-pt.com.vn

Campuchia

Công ty TNHH Robert Bosch (Campuchia)
Đơn nguyên 8BC, GT Tower, Tầng 08, Đường 169,
Tiệp Khắc Blvd, Sangkat Veal Vong,
Khan 7 Makara, Phnom Penh

VAT TIN: 100 169 511

Tel.: +855 23 900 685

Tel.: +855 23 900 660

www.bosch.com.kh

Vận chuyển

Pin có chứa Li-Ion là đối tượng phải tuân theo các qui định của Pháp Luật về Hàng Hóa Nguy Hiểm. Người sử dụng có thể vận chuyển pin hợp khối bằng đường bộ mà không cần thêm yêu cầu nào khác.

Khi được vận chuyển thông qua bên thứ ba (vd. vận chuyển bằng đường hàng không hay đại lý giao nhận), phải tuân theo các yêu cầu đặc biệt về đóng gói và dán nhãn. Phải tham vấn chuyên gia về hàng hóa nguy hiểm khi chuẩn bị gói hàng.

Chỉ gửi pin hợp khối khi vỏ ngoài không bị hư hỏng. Dán băng keo hay che kín các điểm tiếp xúc hở và đóng gói pin hợp khối theo cách sao cho pin không thể xô dịch khi nằm trong bao bì. Ngoài ra, xin vui lòng chấp hành các qui định chi tiết có thể được bổ sung thêm của quốc gia.

Sự thải bỏ



Dụng cụ điện, pin, phụ kiện và bao bì cần được tái sử dụng theo quy định về môi trường.



Bạn không được ném dụng cụ điện và pin vào thùng rác gia đình!

Pin/ác quy:

Li-Ion:

Tuân thủ những hướng dẫn trong phần vận chuyển (xem „Vận chuyển“, Trang 39).