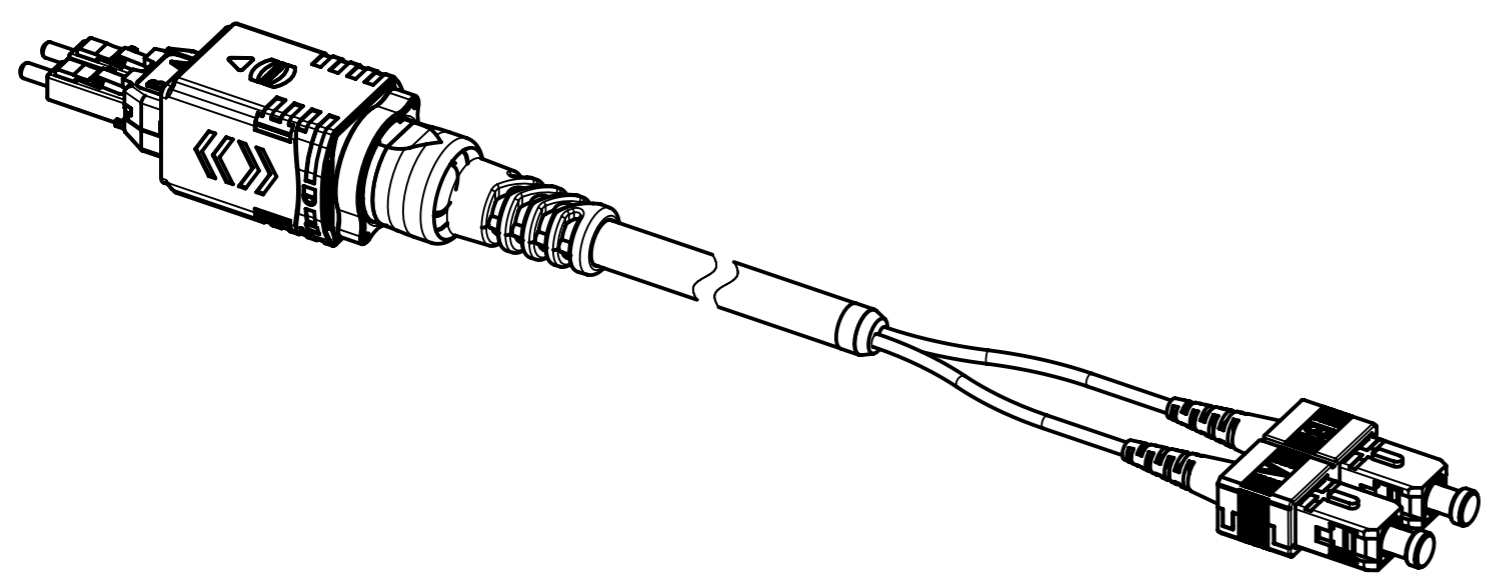
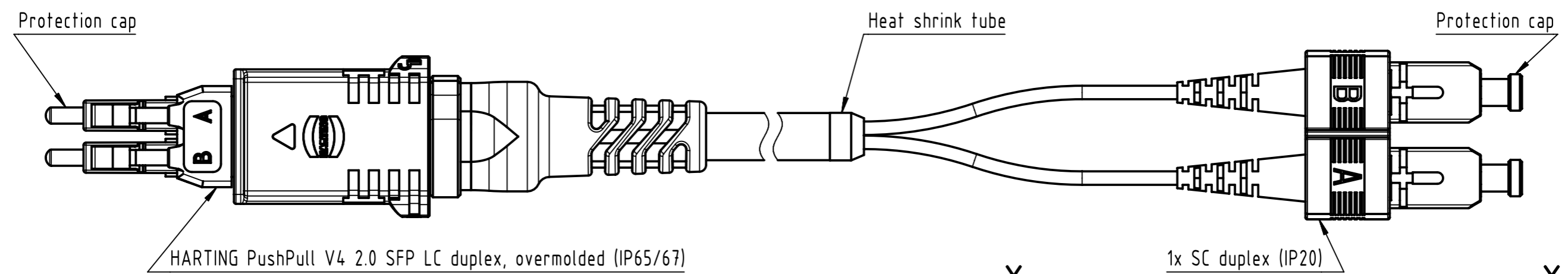
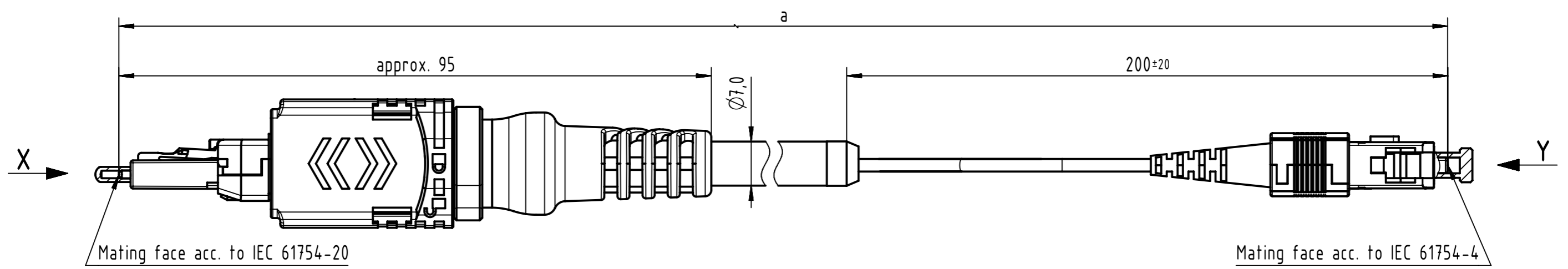


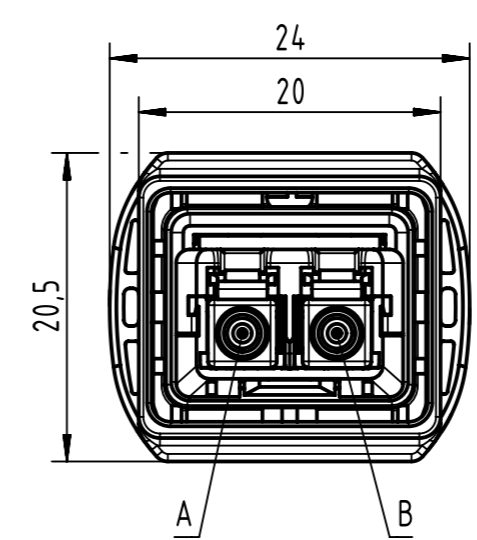
Connector Location A

Connector Location B

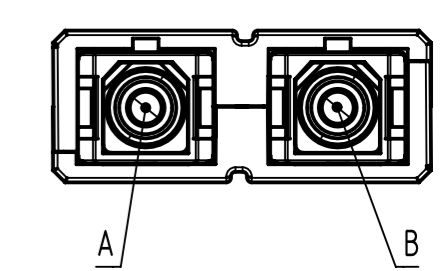
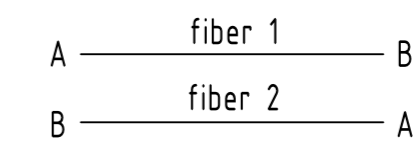


X
male
(without protection cap)

Y
male
(without protection cap)





Loading Plan



- Temperature range: -40°C ... +85°C

	All rights reserved	Created by COSTEA Costea	Inspected by 402676 Gross	Standardisation MUNTEANV Muntean	Date 2021-02-23	State Final Release
	Department HCS - RO	Title FO CA PP2-SCdx, 62,5µ, OM1		Doc-Key / ECM-Nr. 100677835/UGD/009/E 500000189720		
HARTING Customised Solutions D-32339 Espelkamp		Type TB	Number 3361431XXX0006	Rev. E	Page 1/2	

1	2	3	4	5	6	7	8				
A											
B											
C											
D											
E											
F											
27	3361431100006	FO breakout cable, MM, 2-channel, 62.5/125µm, PUR, black	100								
26	3361431090006		90								
25	3361431080006		80								
24	3361431070006		70								
23	3361431060006		60								
22	3361431050006		50								
21	33614310450006		45								
20	3361431040006		40								
19	33614310350006		35								
18	3361431030006		30								
17	33614310250006		25								
16	3361431020006		20								
15	33614310150006		15								
14	33614310140006		14								
13	33614310130006		13								
12	33614310120006		12								
11	33614310110006		11								
10	33614310100006		10								
9	33614310090006		9								
8	33614310080006		8								
7	33614310070006		7								
6	33614310060006		6								
5	33614310050006		5								
4	33614310040006		4								
3	33614310030006		3								
2	33614310020006		2								
1	33614310010006		1								
Cont. no.	Part no.	Type of cable	Dim. a[m]	 All rights reserved Department HCS - RO HARTING Customised Solutions D-32339 Espelkamp				Title FO CA PP2-SCdx, 62,5µ, OM1 Type TB Number 3361431XXX0006		Doc-Key / ECM-Nr. 100677835/UGD/009/E 500000189720 Rev. E Page 2/2	
1	2	3	4	5	6	7	8				

	All rights reserved		Created by COSTEA Costea		Inspected by 402676 Gross		Standardisation MUNTEANV Muntean		Date 2021-02-23		State Final Release	
	Department HCS - RO		Title FO CA PP2-SCdx, 62,5µ, OM1		Type TB		Number 3361431XXX0006		Doc-Key / ECM-Nr. 100677835/UGD/009/E 500000189720		Rev. E Page 2/2	