

MATRIC A5 | SYSTEM 81MM SURFACE

1. MONTAGE UND INSTALLATION | MOUNTING AND INSTALLATION:

First diffuser removal

CREDIT CARD

PULL

1. Bei allen Montagearbeiten Handschuhe tragen.
 Use gloves when handling the fixture.

Diffuser removal

CREDIT CARD

LED insets locking system

The foil inserted into the Microprismatic screen has a diffusion function - do not remove it!

PULL

2.

L1

100

L2

3. Leitungseinführung.
 Cable entry point.

Opal / Microprismatic		Louvre	
L1[mm]	L2[mm]	L1[mm]	L2[mm]
600	200	1005	605
890	490	1256	856
1182	782	1507	1107
1475	1075	1757	1357
1765	1365	2008	1608
2055	1655		

4. Montageöffnungen.
 Installation openings.

5.

6.

- min/max stripped wire length: 7mm-10mm

- max power supply cable: 1,5mm²

1

2

CLICK

7. All LED gear trays are numbered and the numbering starts from the cable entry side. In non-standard luminaires the numbering of LED gear trays is made in accordance with technical drawings.

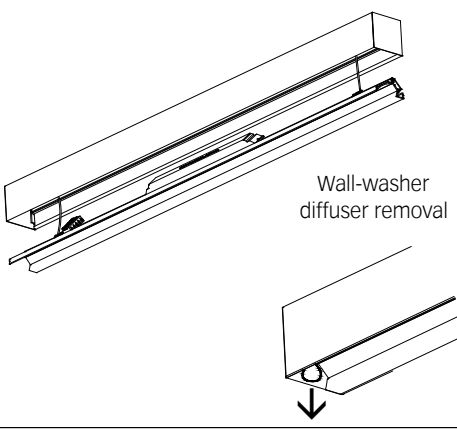
8.

"Click"

9. Louvre installation.

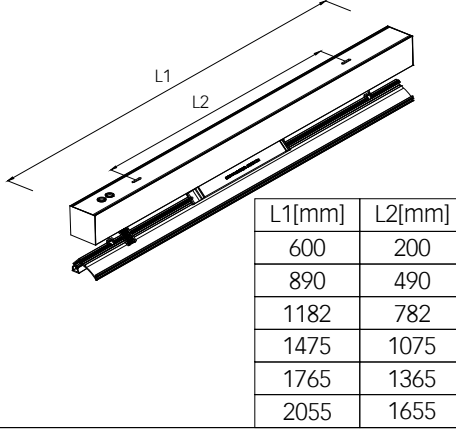
MATRIC A5 | SYSTEM 81MM SURFACE WALLWASHER

1. MONTAGE UND INSTALLATION | MOUNTING AND INSTALLATION:



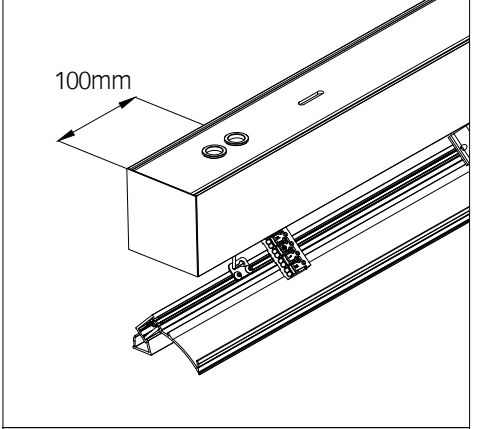
Wall-washer
diffuser removal

1. Bei allen Montagearbeiten Handschuhe tragen.
 Use gloves when handling the fixture.



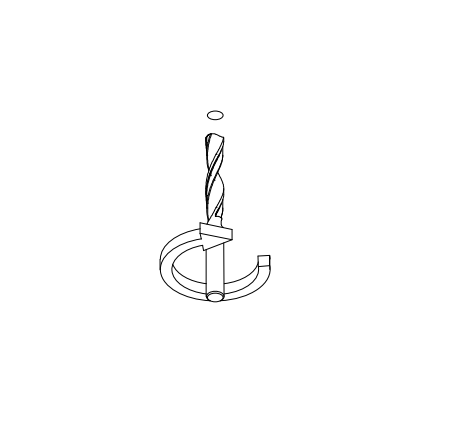
L1[mm]	L2[mm]
600	200
890	490
1182	782
1475	1075
1765	1365
2055	1655

2. Montageöffnungen.
 Installation openings.

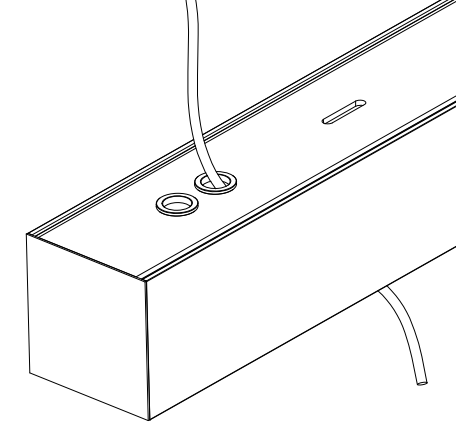


100mm

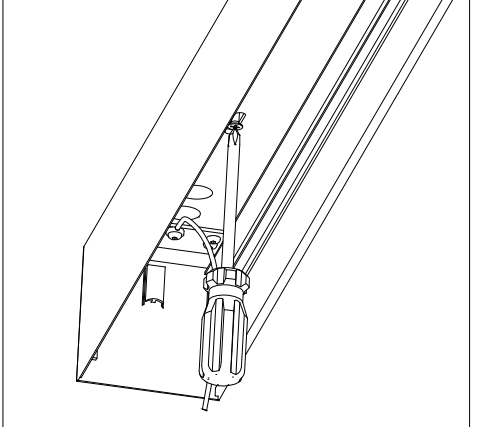
3. Leitungseinführung.
 Cable entry point.



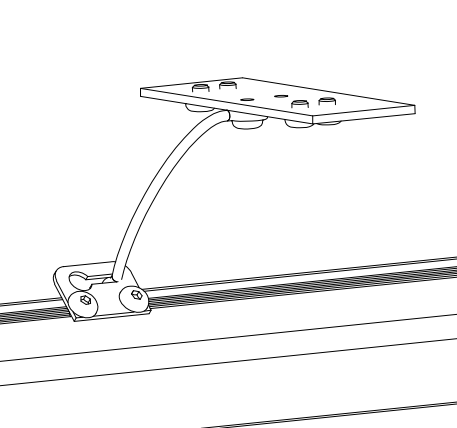
4.



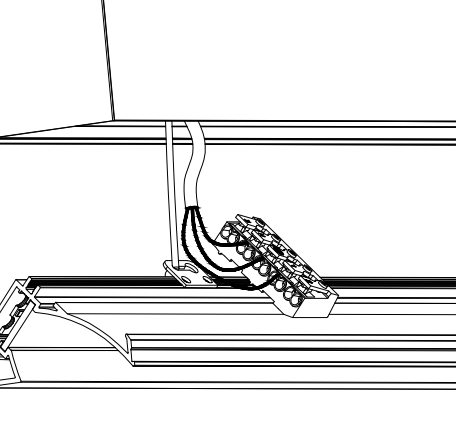
5.



6.

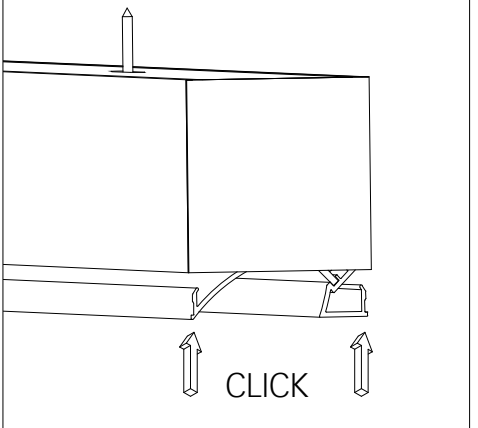


7.



8.

- min/max stripped wire length: 7mm-10mm
- max power supply cable: 1,5mm²



CLICK

9. All LED gear trays are numbered and the numbering starts from the cable entry side. In non-standard luminaires the numbering of LED gear trays is made in accordance with technical drawings.

The light source contained in this luminaire shall only be replaced by the manufacturer or his service agent or a similar qualified person.