

## Panel mounting socket outlet, straight - flange 107x100 fixing centers 85x77

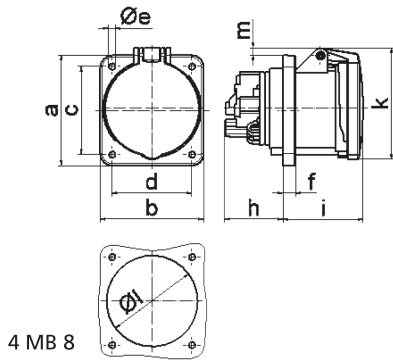


| Product description       |  |
|---------------------------|--|
| BALS-Prd.-Nr              | 1305                                   |
| EAN                       | 4024941013055                          |
| Product category          | Panel mounting socket outlet, straight |
| Current                   | 63A                                    |
| Number of poles           | 5p                                     |
| Poles                     | 3p+N+PE                                |
| Position of earth contact | 9 h                                    |
| Voltage                   | 120/208 up to 144/250V                 |

| Product description            |  |
|--------------------------------|--|
| Frequency                      | 50 and 60Hz  |
| Protection degree              | IP44   |
| Colour code                    | blue RAL 5015  |
| Colour of appliance            | Hinged lid blue RAL 5015, Enclosure grey RAL 7035  |
| Connection design              | screw terminal as box terminal with Kontex-contact   |
| Maximum conductor size         | 25.0 qmm   |
| Cable entry                    | other  |
| Height                         | 114mm  |
| Width                          | 100mm  |
| Depth                          | 134mm  |
| Flange size vertical           | 107mm  |
| Flange size horizontal         | 100mm  |
| Drill hole distance vertical   | 85mm   |
| Drill hole distance horizontal | 77mm   |
| Material of enclosure          | Polyamide  |
| Contact                        | The contact carrier is made of high temperature resistant material, the contacts are brass nickel plated |

| Logistics data |                 |
|----------------|-----------------|
| Weight/pcs     | 0.53 kg / Piece |
| Packaging      | Carton          |
| Content amount | 5 ST            |

| Logistics data |               |
|----------------|---------------|
| EAN            | 4024941829137 |
| Length         | 258 mm        |
| Width          | 183 mm        |
| Height         | 212 mm        |
| Weight         | 2.799 kg      |
| Volume         | 8,750 ccm     |



| Ampere                     | 63    | 63    | 63    |  |  |  |
|----------------------------|-------|-------|-------|--|--|--|
| Polzahl                    | 3     | 4     | 5     |  |  |  |
| a                          | 107,0 | 107,0 | 107,0 |  |  |  |
| b                          | 100,0 | 100,0 | 100,0 |  |  |  |
| c                          | 85,0  | 85,0  | 85,0  |  |  |  |
| d                          | 77,0  | 77,0  | 77,0  |  |  |  |
| e ø                        | 6,5   | 6,5   | 6,5   |  |  |  |
| f                          | 12,0  | 12,0  | 12,0  |  |  |  |
| h                          | 56,5  | 56,5  | 56,5  |  |  |  |
| i                          | 77,0  | 77,0  | 77,0  |  |  |  |
| k                          | 110,0 | 110,0 | 110,0 |  |  |  |
| l ø                        | 88,0  | 88,0  | 88,0  |  |  |  |
| m                          | 7,0   | 7,0   | 7,0   |  |  |  |
| Leiter mm <sup>2</sup> min | 6     | 6     | 6     |  |  |  |
| Leiter mm <sup>2</sup> max | 25    | 25    | 25    |  |  |  |