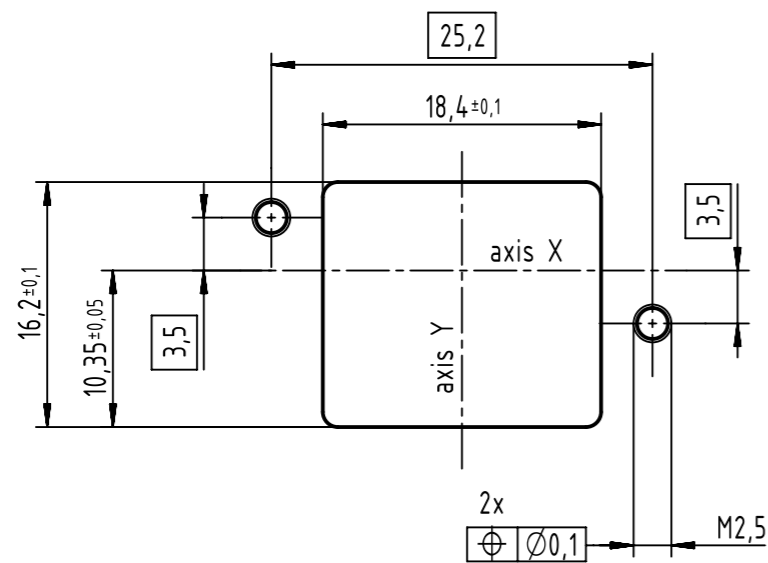
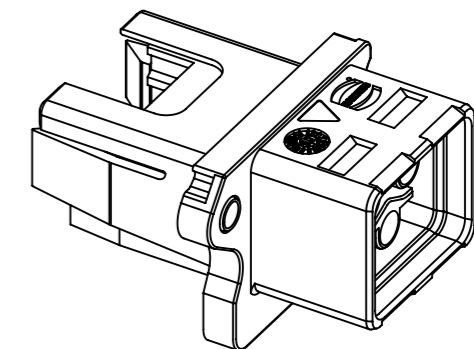
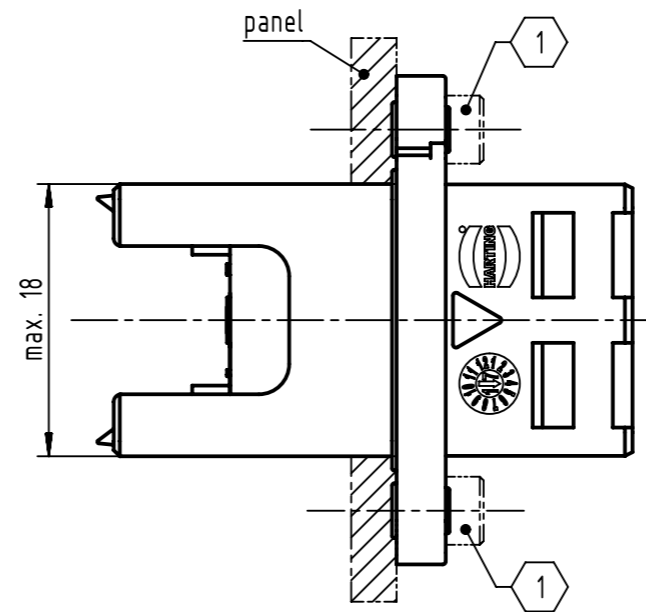
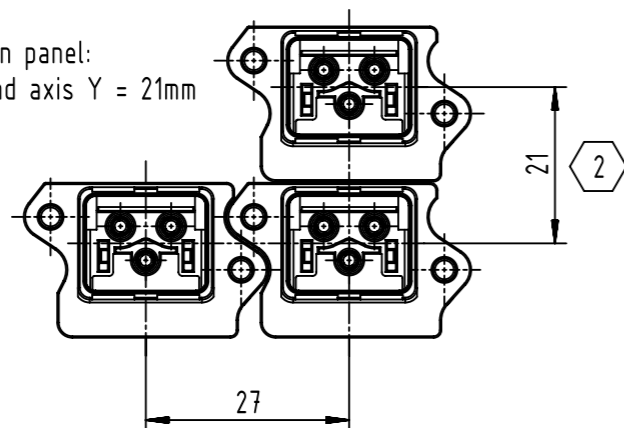


panel cutting



panel thickness = max. 5.5mm

connector pitch on panel:
axis X = 27mm and axis Y = 21mm



2 connector pitch with coding clip 0945840002X Y = 23mm

1 2x M2.5; screws acc. to ISO 4762;
please order separately; bolting torque 0.3Nm - 0.5Nm

3 pieces female crimp contact for AWG 14/16 (1.5 mm²)
are content of set packaging

further information see product data sheet

All Dimensions in mm Original Size DIN A3		Scale 2:1	Free size tol.	Ref. Sub.	
All rights reserved Department EL PD HARTING Electronics GmbH D-32339 Espelkamp	Created by STORCK	Inspected by ZWAHR	Standardisation HOFFMANN	Date 2019-12-17	State Final Release
	Title HARTING PushPull V4 Compact Housing 250V/16A			Doc-Key / ECM-Nr. 100671798/UGD/000/E 500000161747	
Type TB		Number 09462453420		Rev. E	Page 1/1