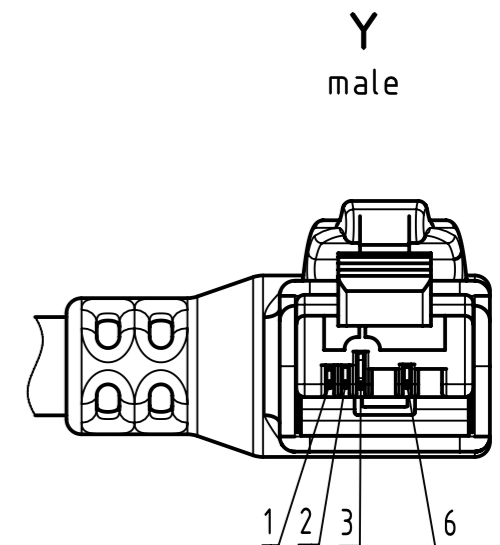
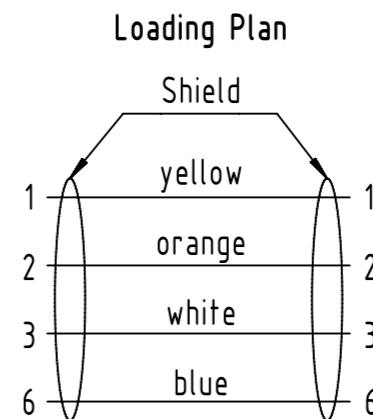
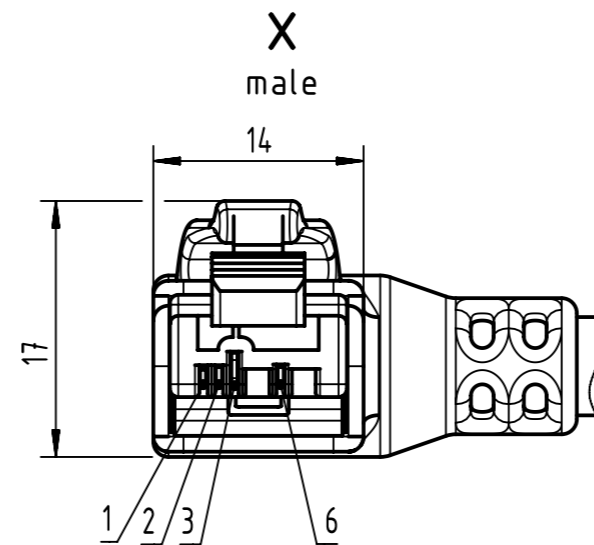
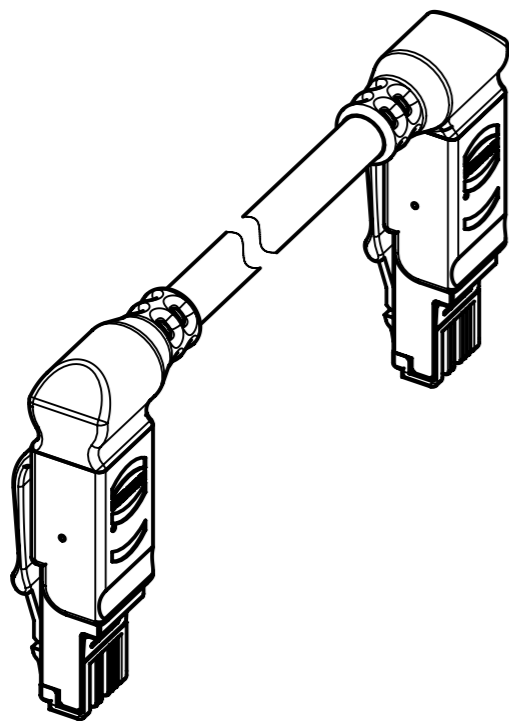
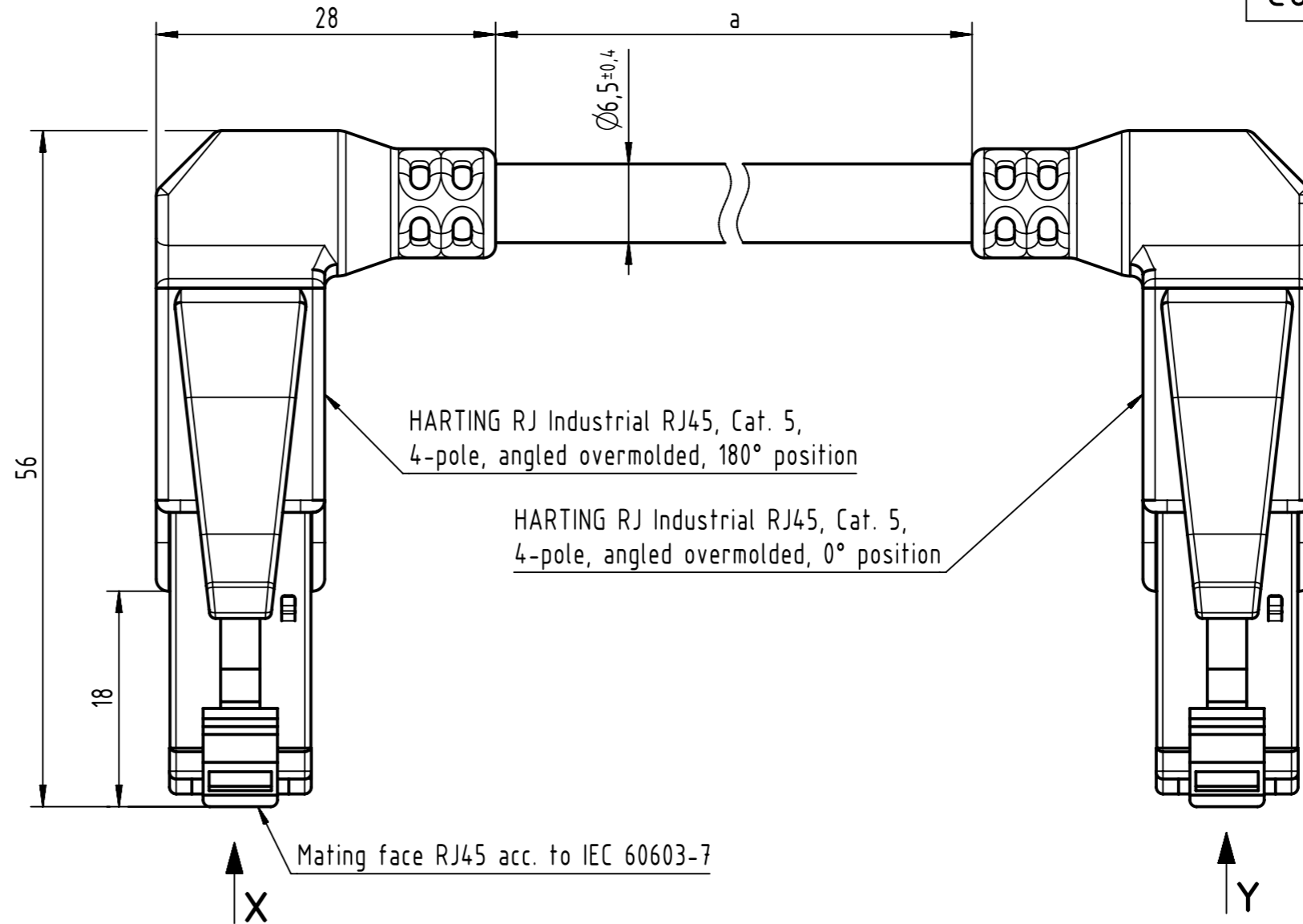


Connector Location A

Connector Location B



- Protection level: IP20
- Temperature range: -30°C ... +70°C

All Dimensions in mm		Tech. Character.		Free size tol.		According to production drawing	
	All rights reserved		Created by	Inspected by	Standardisation	Date	State
	Department HCS - RO		BANCIUD Banciu	402676 Gross	MUNTEANV Muntean	2023-06-09	Final Release
HARTING Customised Solutions		Title				Doc-Key / ECM-Nr.	
D-32339 Espelkamp		RJ Industrial Cable Assembly				100177621/UGD/009/E 50000245664	
		Type	Number		Rev.	Page	
		TB	094705060XX		E	1/2	

Cont. no.	Part no.	Type of cable	Dim. a[m]
46	094.70506044	HAR PROFINET Typ B 4xAWG 22/7 PVC green	100 ±1
45	094.70506043		90 ±0.9
44	094.70506042		80 ±0.8
43	094.70506041		70 ±0.7
42	094.70506040		60 ±0.6
41	094.70506039		50 ±0.5
40	094.70506038		40 ±0.4
39	094.70506037		30 ±0.3
38	094.70506091		25 ±0.25
37	094.70506036		20 ±0.2
36	094.70506035		15 ±0.15
35	094.70506034		10 ±0.1
34	094.70506033		9 ±0.09
33	094.70506032		8 ±0.08
32	094.70506031		7 ±0.07
31	094.70506030		6 ±0.06
30	094.70506029		5 ±0.05
29	094.70506028		4 ±0.04
28	094.70506027		3 ±0.03
27	094.70506026		2 ±0.02
26	094.70506025		1.5 ±0.015
25	094.70506024		1 ±0.01
24	094.70506023		0.5 ±0.01
23	094.70506089	0.3 ±0.01	
22	094.70506022	HAR PROFINET Typ A 4xAWG 22/1 PVC green	100 ±1
21	094.70506021		90 ±0.9
20	094.70506020		80 ±0.8
19	094.70506019		70 ±0.7
18	094.70506018		60 ±0.6
17	094.70506017		50 ±0.5
16	094.70506016		40 ±0.4
15	094.70506015		30 ±0.3
14	094.70506014		20 ±0.2
13	094.70506013		15 ±0.15
12	094.70506012		10 ±0.1
11	094.70506011		9 ±0.09
10	094.70506010		8 ±0.08
9	094.70506009	7 ±0.07	
8	094.70506008	6 ±0.06	
7	094.70506007	5 ±0.05	
6	094.70506006	4 ±0.04	
5	094.70506005	3 ±0.03	
4	094.70506004	2 ±0.02	
3	094.70506003	1.5 ±0.015	
2	094.70506002	1 ±0.01	
1	094.70506001	0.5 ±0.01	

90	094.70506088	HAR PROFINET Typ B 4xAWG 22/7 PVC outdoor black	100 ±1
89	094.70506087		90 ±0.9
88	094.70506086		80 ±0.8
87	094.70506085		70 ±0.7
86	094.70506084		60 ±0.6
85	094.70506083		50 ±0.5
84	094.70506082		40 ±0.4
83	094.70506081		30 ±0.3
82	094.70506080		20 ±0.2
81	094.70506079		15 ±0.15
80	094.70506078		10 ±0.1
79	094.70506077		9 ±0.09
78	094.70506076		8 ±0.08
77	094.70506075		7 ±0.07
76	094.70506074		6 ±0.06
75	094.70506073		5 ±0.05
74	094.70506072		4 ±0.04
73	094.70506071		3 ±0.03
72	094.70506070		2 ±0.02
71	094.70506069		1.5 ±0.015
70	094.70506068		1 ±0.01
69	094.70506067		0.5 ±0.01
68	094.70506066		HAR PROFINET Typ C 4xAWG 22/7 PUR Trail. green
67	094.70506065	90 ±0.9	
66	094.70506064	80 ±0.8	
65	094.70506063	70 ±0.7	
64	094.70506062	60 ±0.6	
63	094.70506061	50 ±0.5	
62	094.70506060	40 ±0.4	
61	094.70506059	30 ±0.3	
60	094.70506058	20 ±0.2	
59	094.70506057	15 ±0.15	
58	094.70506056	10 ±0.1	
57	094.70506055	9 ±0.09	
56	094.70506054	8 ±0.08	
55	094.70506053	7 ±0.07	
54	094.70506052	6 ±0.06	
53	094.70506051	5 ±0.05	
52	094.70506050	4 ±0.04	
51	094.70506049	3 ±0.03	
50	094.70506048	2 ±0.02	
49	094.70506047	1.5 ±0.015	
48	094.70506046	1 ±0.01	
47	094.70506045	0.5 ±0.01	

	All rights reserved	Created by BANCIUD Banciu	Inspected by 402676 Gross	Standardisation MUNTEANV Muntean	Date 2023-06-09	State Final Release
	Department HCS - RO	Title RJ Industrial Cable Assembly		Doc-Key / ECM-Nr. 100177621/UGD/009/E 50000245664		
HARTING Customised Solutions D-32339 Espelkamp		Type TB	Number 094.705060XX		Rev. E	Page 2/2