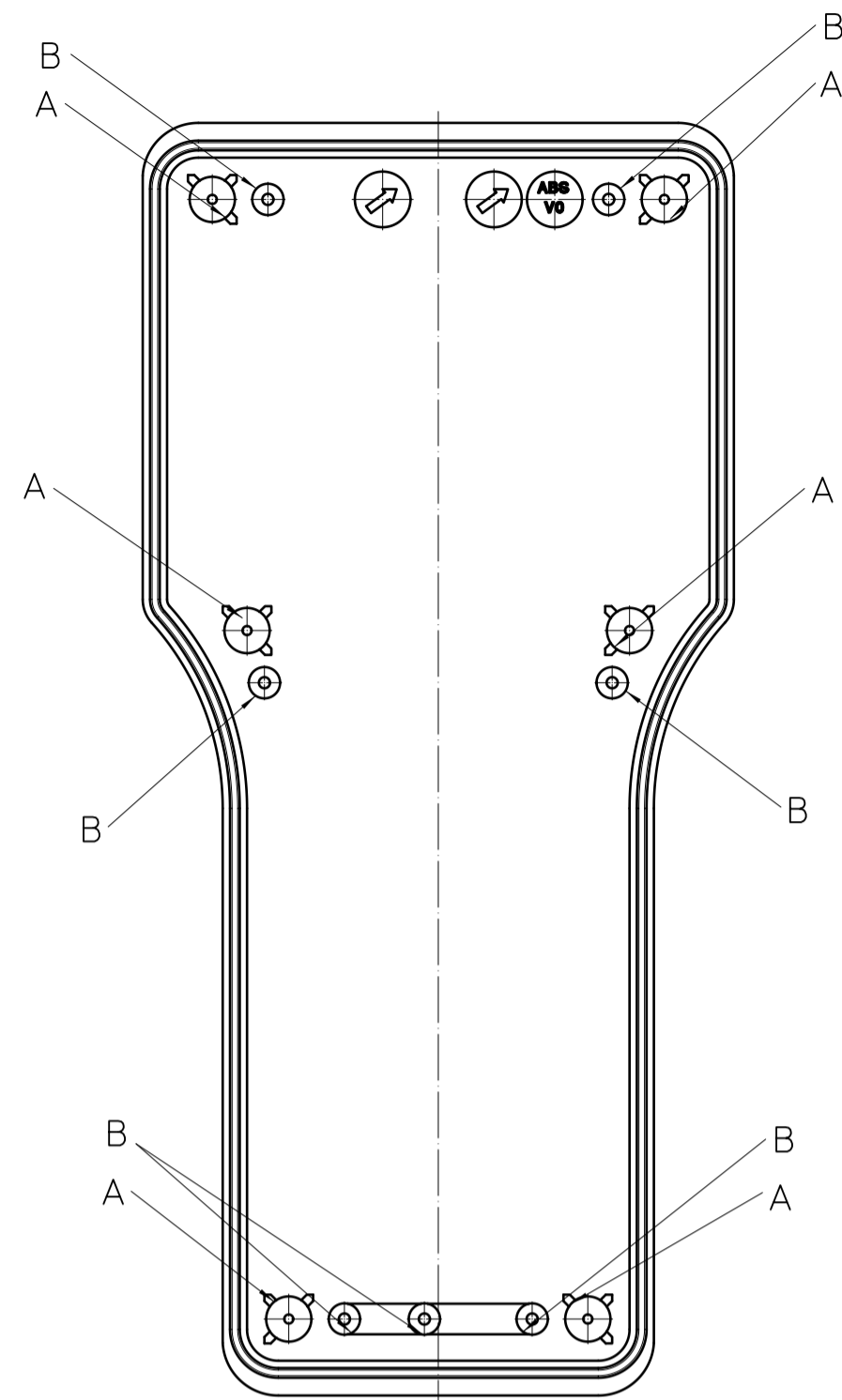
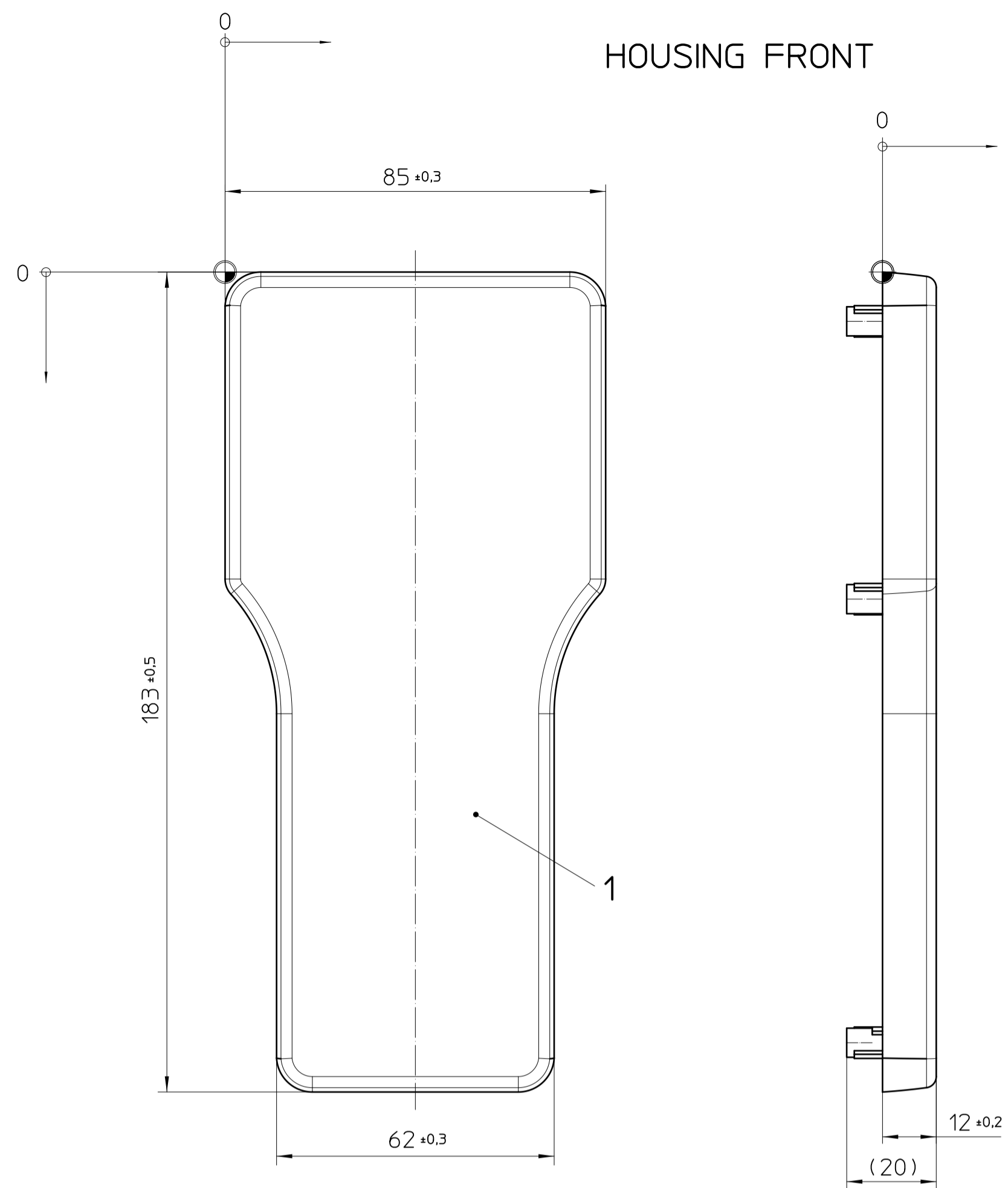
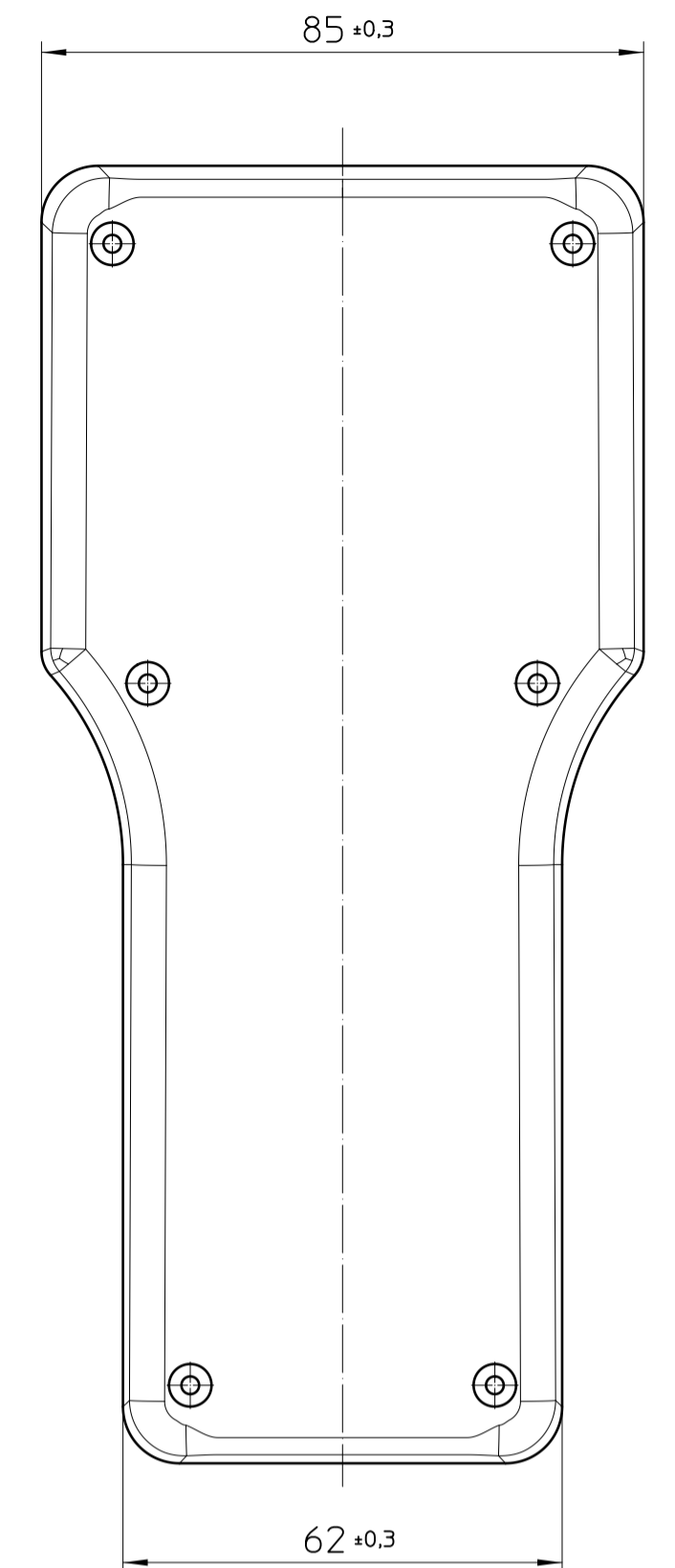
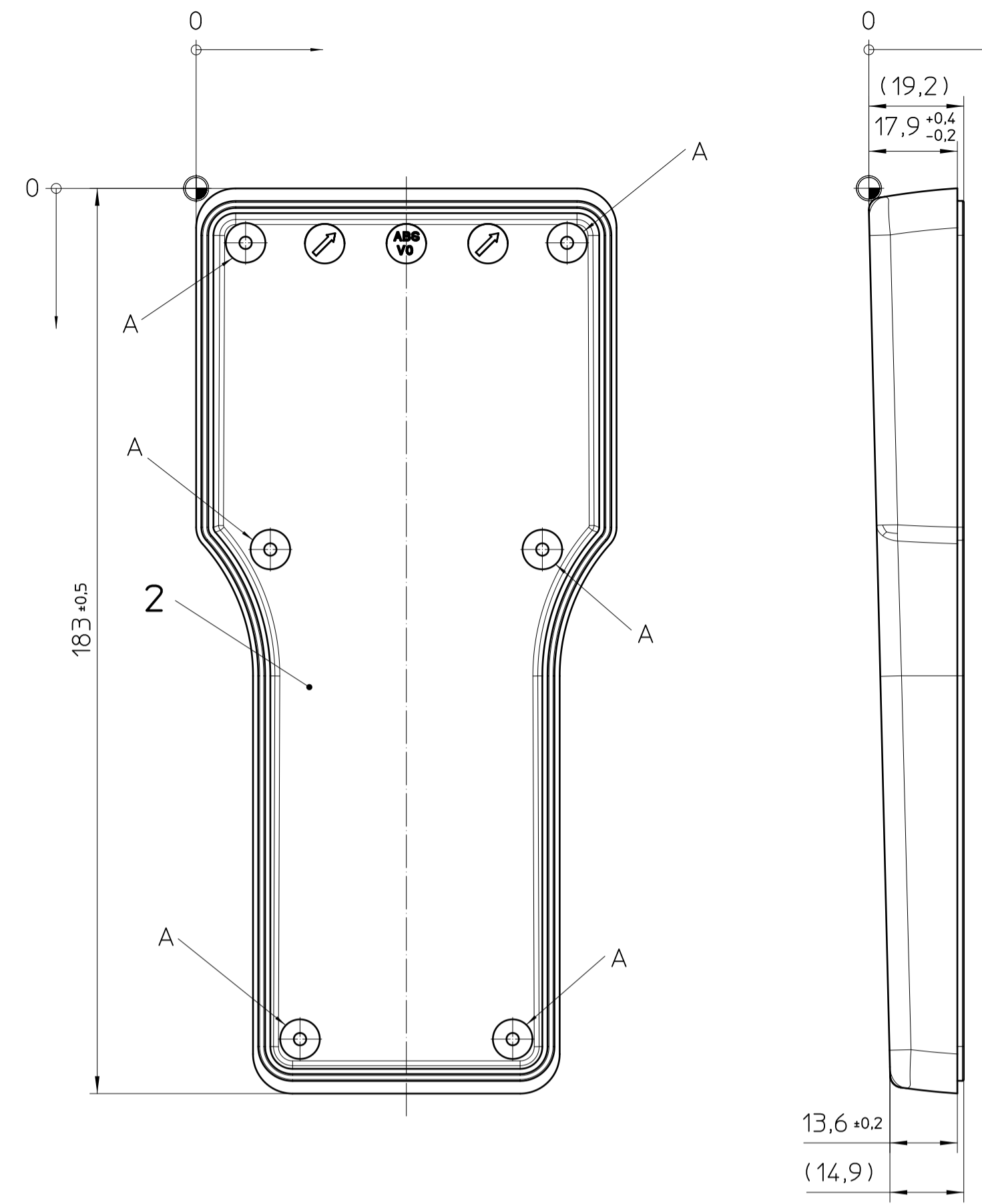


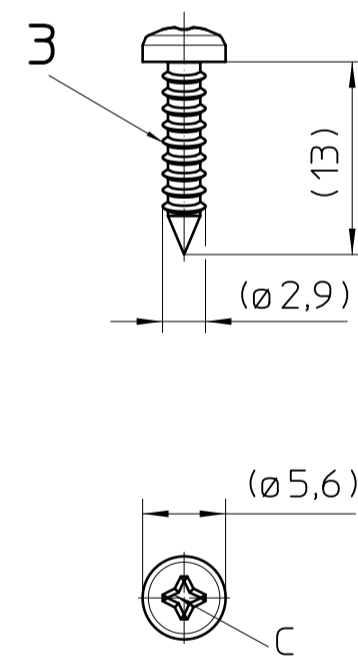
### HOUSING FRONT



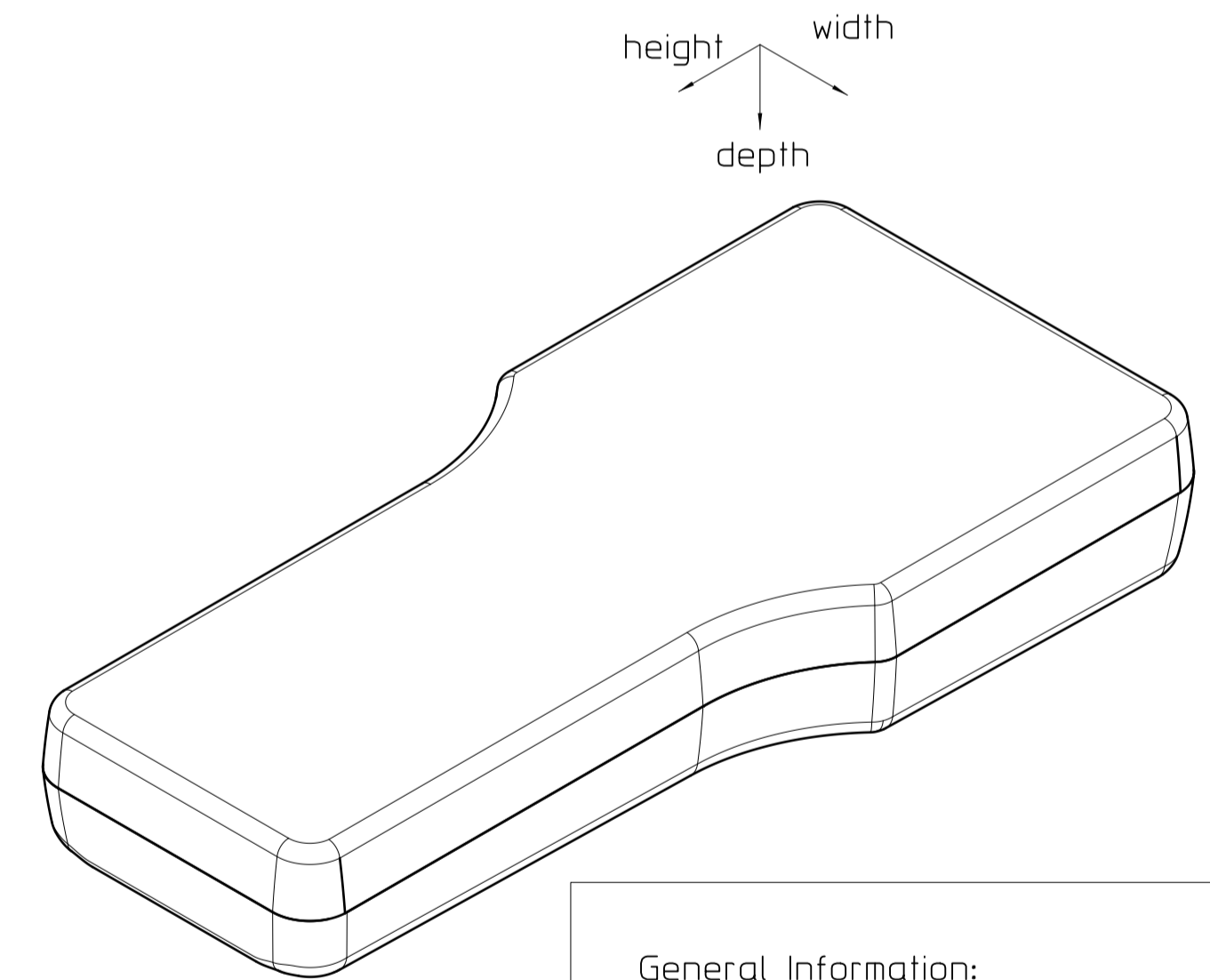
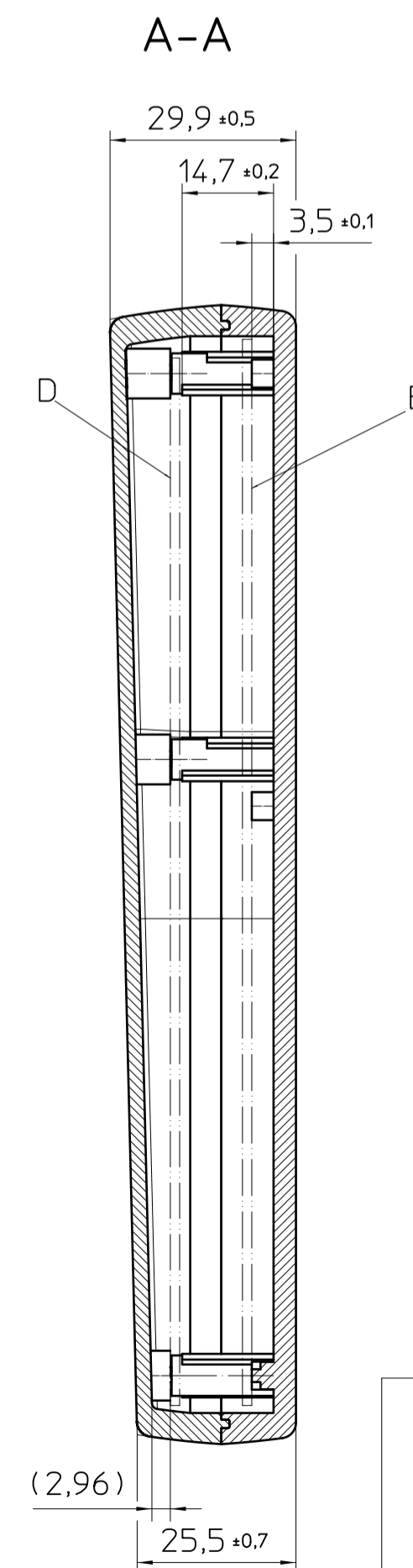
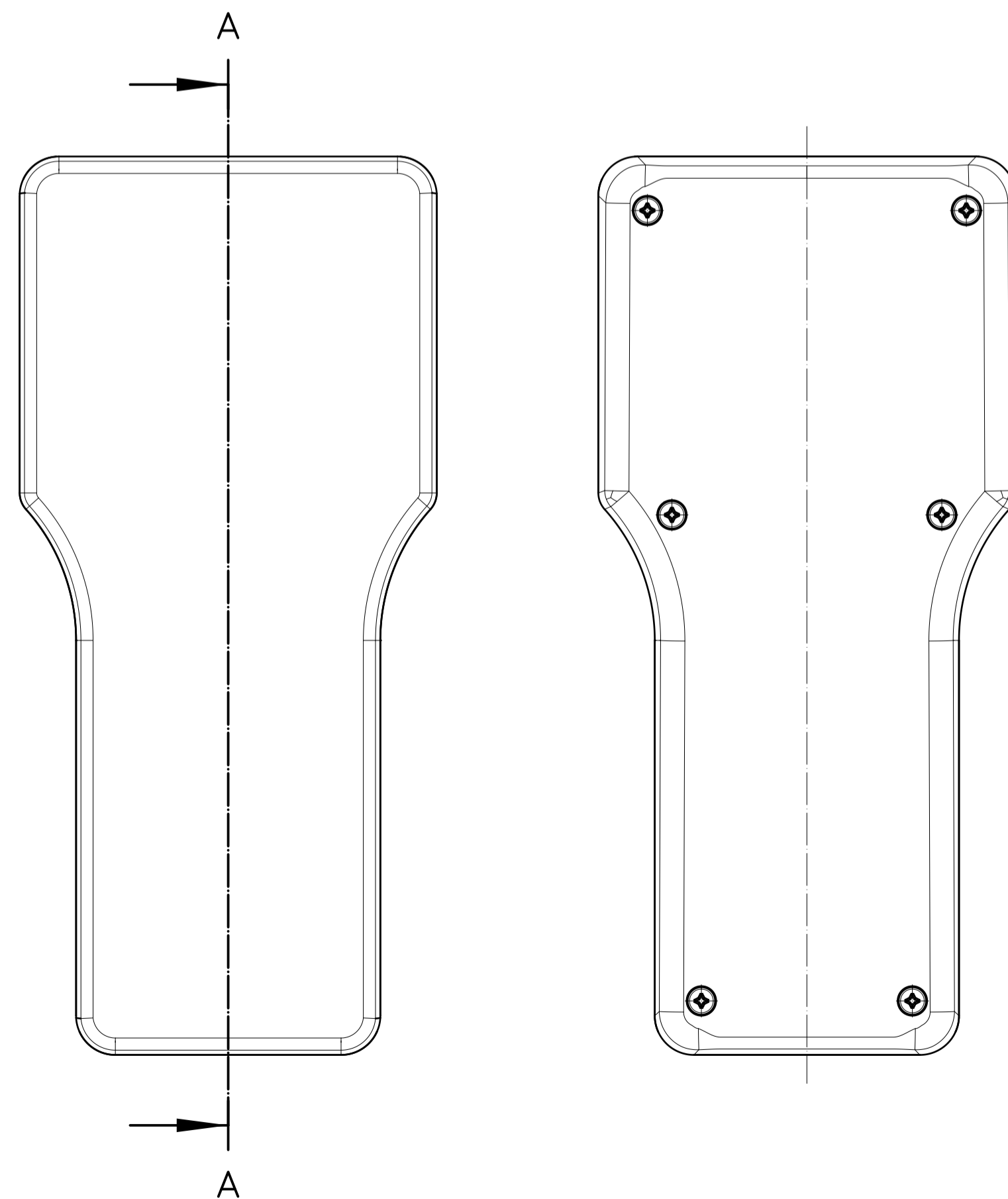
### HOUSING REAR



### HOUSING SCREW 2:1



### Assembly example HCS-T Mini C C C C



- General Information:
- Simplified representation
  - Document excluded from change process
  - Linear dimensions [mm]
  - Tolerances apply in a normal climate according to DIN EN ISO 291-23/50-2.
  - Further information: [www.phoenixcontact.com](http://www.phoenixcontact.com) webcode: #0855
  - Minimum radii for mechanical processing R=1.2

☉ =workpiece zero point for mechanical processing

- A. Screw domes for housing screws
- B. Attachment point for second PCB with self tapping screws  $\varnothing 2 \times 5.5$  (screws not included)
- C. Phillips recessed head PH 1
- D. PCB main position (t=1,5)
- E. PCB second position (t=1,5)

### KIT

Pos.	QTY	Description
1	1	HOUSING FRONT (ABS)
2	1	HOUSING REAR (ABS)
3	6	SCREW ISO 7049-S12,9x13 C H

DIN A1	document-No. / Ri 00953643 / 04	date 06.10.2017	scale 1:1
ident.-No. 2203130	document-type TECDOC 2D_Productdrawing	description HCS-T MINI C C C C C 7035	
page 1	of 3		

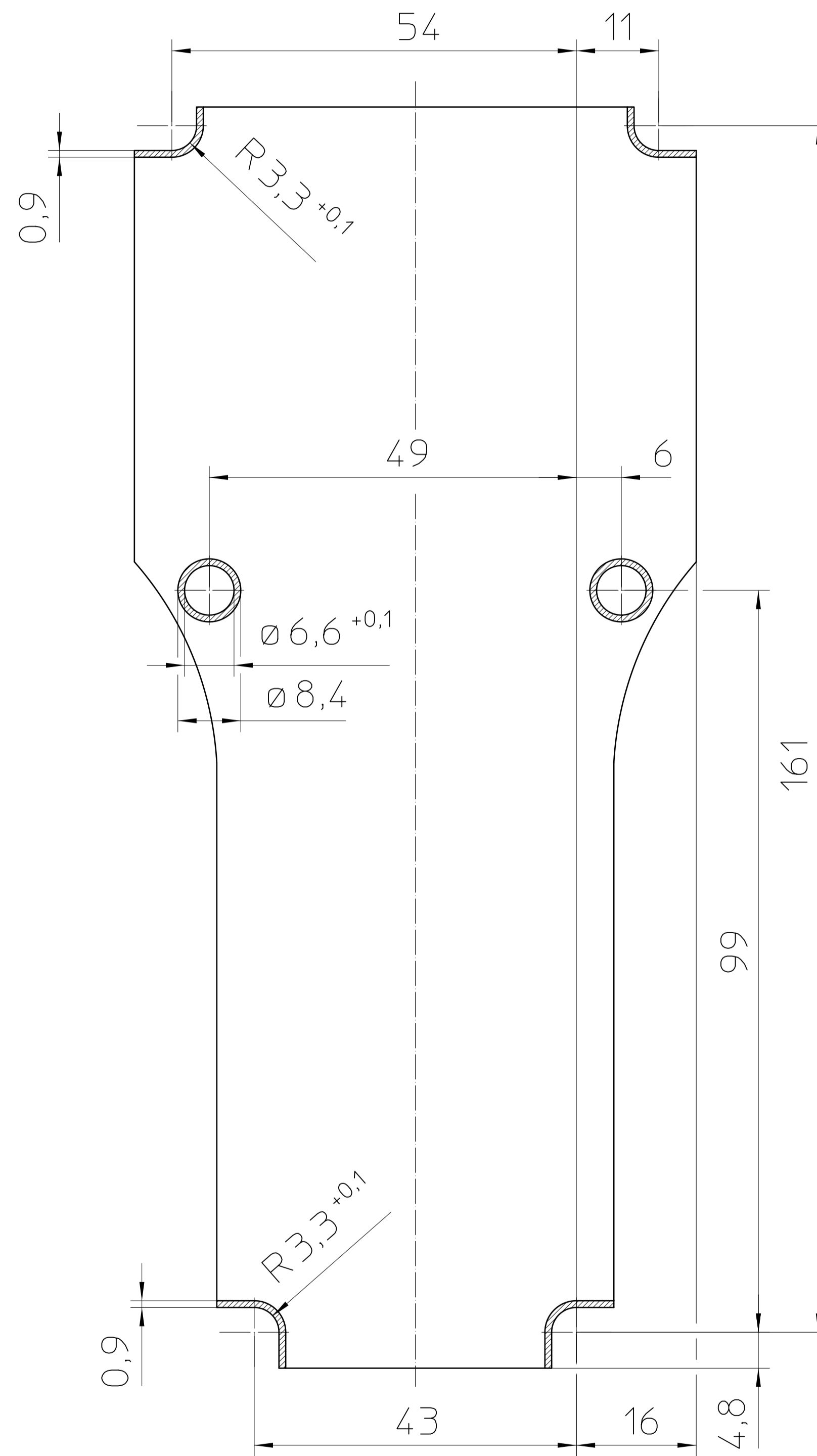
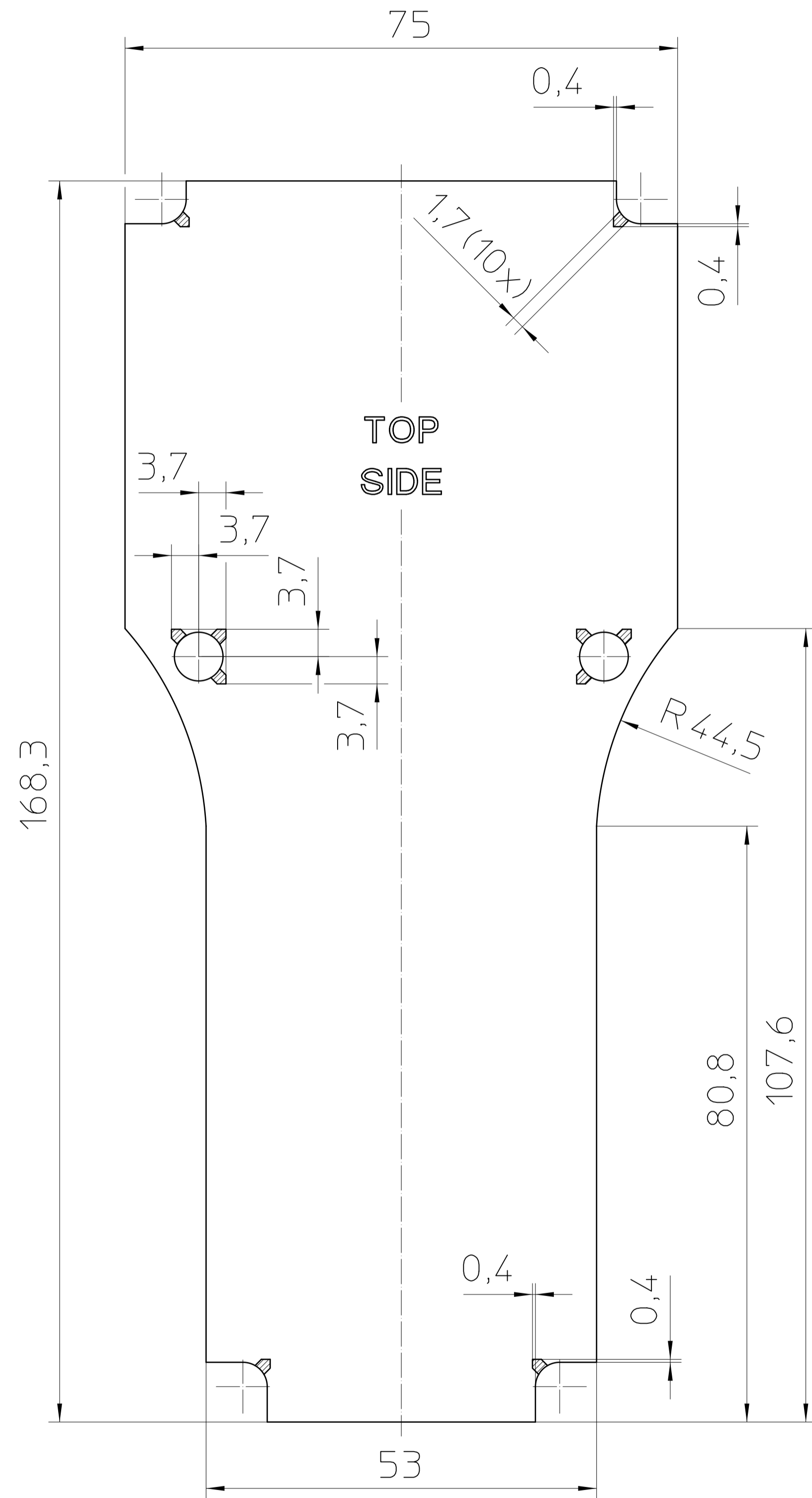
Transfer or duplication of this document as well as the utilization or communication of its content are not permitted unless express consent is obtained from Phoenix Contact. All rights reserved in case of patent, utility model or design patent registrations.

Weitergabe sowie Vervielfältigung dieses Dokuments, Verwertung und Mitteilung seines Inhalts sind verboten, soweit nicht ausdrücklich gestattet. Alle Rechte vorbehalten. In case of patent, utility model or design patent registrations.

# HCS-T MINI PCB MAIN

Transfer or duplication of this document as well as the utilisation or communication of its content are not permitted unless express consent is granted. Violations give rise to claims for damages. All rights reserved in case of patent, utility model or design patent registrations.

Weitergabe sowie Vervielfältigung dieses Dokuments, Verwertung und Mitteilung seines Inhalts sind verboten, soweit nicht ausdrücklich gestattet. Zuwiderhandlungen verpflichten zu Schadenersatz. Alle Rechte für den Fall der Patent-, Gebrauchsmuster- oder Designeintragung vorbehalten.



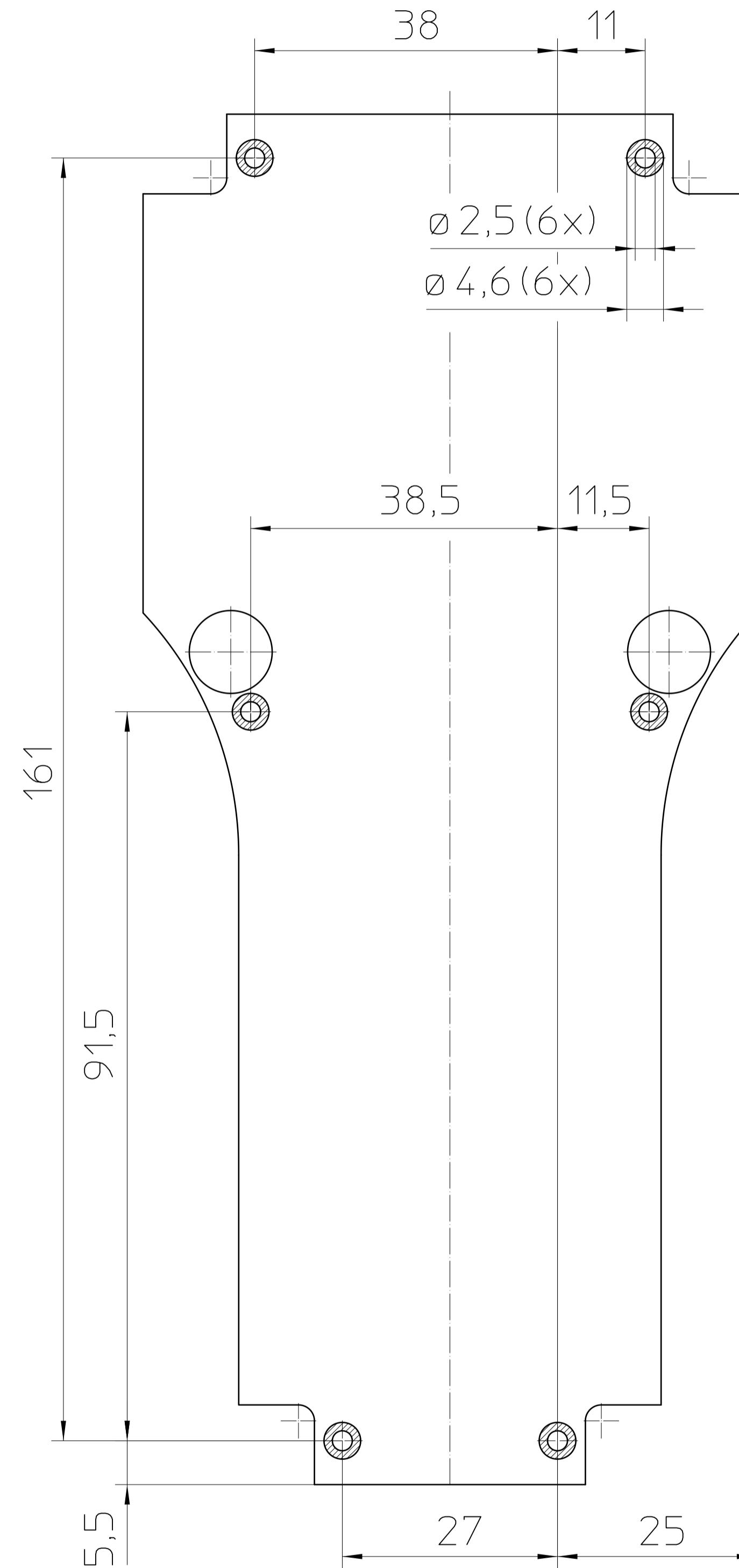
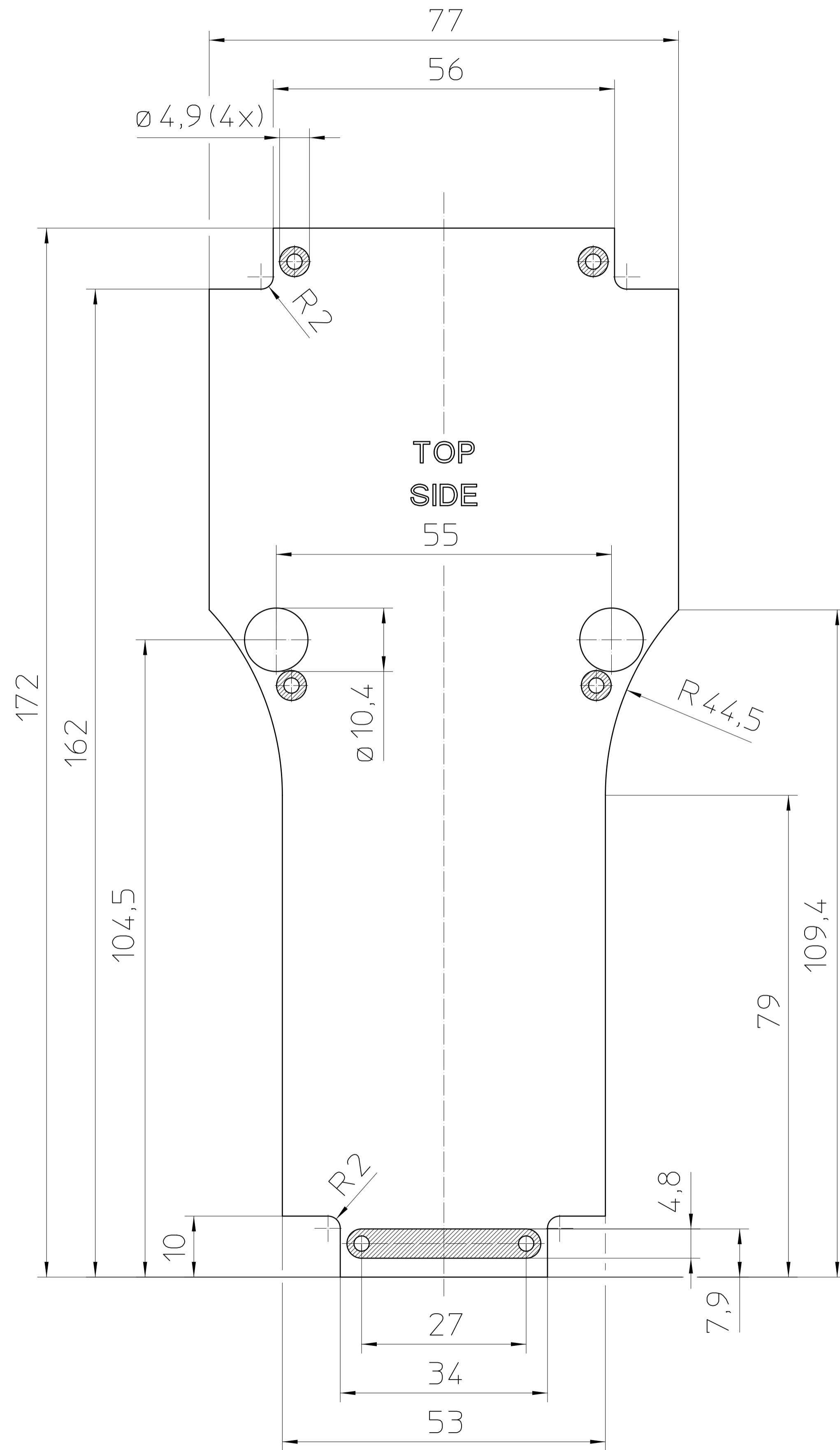
- General Information
- Document excluded from change process
  - CAD Data see Download-Center on [www.phoenixcontact.com](http://www.phoenixcontact.com)
  - Linear dimensions [mm]
  - General tolerances PCB: dimensions  $\leq 30$ :  $\pm 0,1/R \pm 0,2/\pm 1^\circ$   
dimensions  $> 30$ :  $\pm 0,15/R \pm 0,2/\pm 1^\circ$   
symmetry: 0,2
  - Restricted area
  - Thickness= 1,4-1,8
  - Component mounting area on top side: 10130mm<sup>2</sup>
  - Component mounting area on bottom side: 10070mm<sup>2</sup>

DIN A3 	document-No. / RI 00953643 / 04	date 06.10.2017	scale 1:1
	ident.-No. 2203130	document-type TECDOC 2D_Productdrawing	
page 2 of 3	description HCS-T MINI C C C C 7035		

# HCS-T MINI PCB SECOND

Transfer or duplication of this document as well as the utilisation or communication of its content are not permitted unless express consent is granted. Violations give rise to claims for damages. All rights reserved in case of patent, utility model or design patent registrations.

Weitergabe sowie Vervielfältigung dieses Dokuments, Verwertung und Mitteilung seines Inhalts sind verboten, soweit nicht ausdrücklich gestattet. Zuwiderhandlungen verpflichten zu Schadensersatz. Alle Rechte für den Fall der Patent-, Gebrauchsmuster- oder Designeintragung vorbehalten.



### General Information

- Document excluded from change process
- CAD Data see Download-Center on [www.phoenixcontact.com](http://www.phoenixcontact.com)
- Linear dimensions [mm]
- General tolerances PCB: dimensions  $\leq 30$ :  $\pm 0,1/R \pm 0,2/\pm 1^\circ$   
dimensions  $> 30$ :  $\pm 0,15/R \pm 0,2/\pm 1^\circ$   
symmetry: 0,2
- Restricted area
- Thickness= 1,4-1,8
- Component mounting area on top side: 10050mm<sup>2</sup>
- Component mounting area on bottom side: 10180mm<sup>2</sup>

DIN A3	document-No. / RI	date	scale
	00953643 / 04	06.10.2017	1:1
	ident.-No.	document-type	
	2203130	TECDOC 2D_Productdrawing	
page 3 of 3	description		
HCS-T MINI C C C C 7035			